

Description:

Model Number: PE2-30-2R06R0-1R5-22-12-SFF is a 2 to 6 GHz low noise amplifier. This amplifier is supplied in our standard PE2 housing that can be used as a SMA connectorized or a surface mount component.

This model provides the following performance. Data is available upon request.

Specifications:

Frequency Range: 2.0 to 6.0 GHz
 Gain: 30dB Typ.
 Gain Flatness: +/- 1.5dB Max.
 Noise Figure: 1.5dB Typ.
 OP1dB: +22dBm Typ.
 +20dBm Min.
 VSWR Input/Output: 2.0:1 Max.
 DC Voltage Supply: +12 to +15VDC Max
 DC Current Draw: 320mA Typ.
 Connectors In/Out: SMA Female

Features:

Internal Voltage Regulation
 Unconditional Stability
 Standard Operating Temperature -55°C to +85°C

Available Options:

Various Package types
 Various Connector types
 Temperature Compensation
 Gain and Phase Matching
 MIL-STD-883 Screening Available

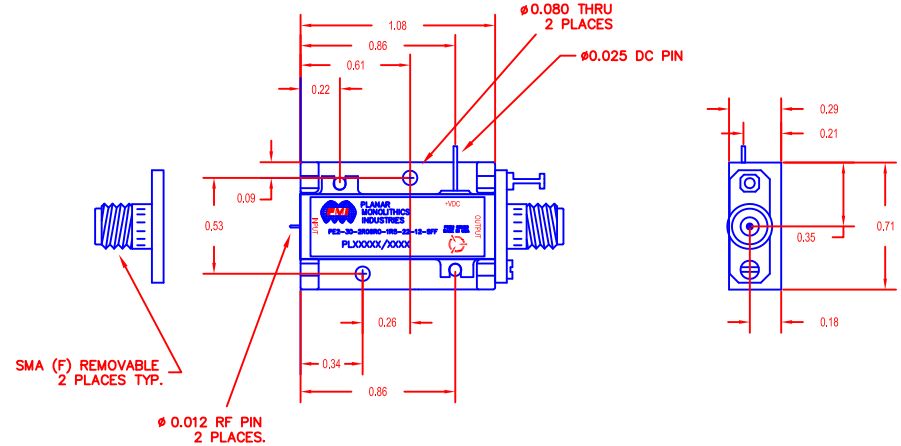
Environmental Ratings:

Temperature: -55°C to +85°C (Operating)
 -65°C to +125°C (Storage)
 Humidity: MIL-STD-202F, METHOD 103B COND B.
 Shock: MIL-STD-202F, METHOD 213B COND B.
 Altitude: MIL-STD-202F, METHOD 105C COND B.
 Temperature Cycle: MIL-STD-202F, METHOD 107D COND A

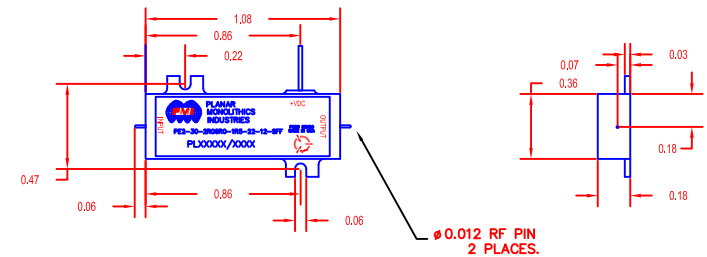
Note: The above specifications are subject to change or revision.

REVISIONS				
ZONE	REV.	DESCRIPTION	DATE	APPROVED
	A1	ORIGINAL RELEASE	01/25/12	
	A2	ECN # 13-0118	8/20/13	

PE2 HOUSING WITH CARRIER



PE2 HOUSING WITHOUT CARRIER (SURFACE MOUNT)



PMI CONFIDENTIAL AND PROPRIETARY

PLANAR MONOLITHICS INDUSTRIES, INC.

7311-F GROVE ROAD
 FREDERICK, MARYLAND 21704 USA
 TEL: 301-662-5019 FAX: 301-662-1731
 WEBSITE: www.pmi-rf.com
 E-MAIL: sales@pmi-rf.com
 ISO 9001:2008 CERTIFIED



ALL DIMENSIONS ARE IN INCHES
 TOLERANCES:
 X.XX ±0.020
 X.XXX ±0.010

APPROVALS		DATE	TITLE		
DRAWN ZIR		01/25/12	PRODUCT FEATURE PE2-30-2R06R0-1R5-22-12-SFF		
CHECKED			SIZE A	FSCM NO. 05XQ0	DWG NO. 27016001
ISSUED			SCALE N: S		REV. A2
					SHEET 1 OF 1