

DESCRIPTION:

PMI MODEL NUMBER BPF-1G1D85G-850M-SM IS A BANDPASS FILTER WITH A 1 dB BANDWIDTH OF 850 MHz MINIMUM COVERING 1000 TO 1850 MHz. THE FILTER IS BUILT IN A SURFACE MOUNT PACKAGE TO BE USED IN INTEGRATED MODULES.

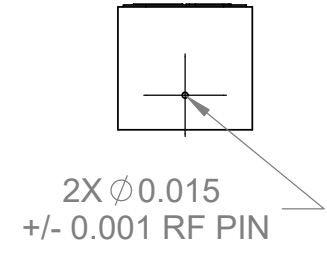
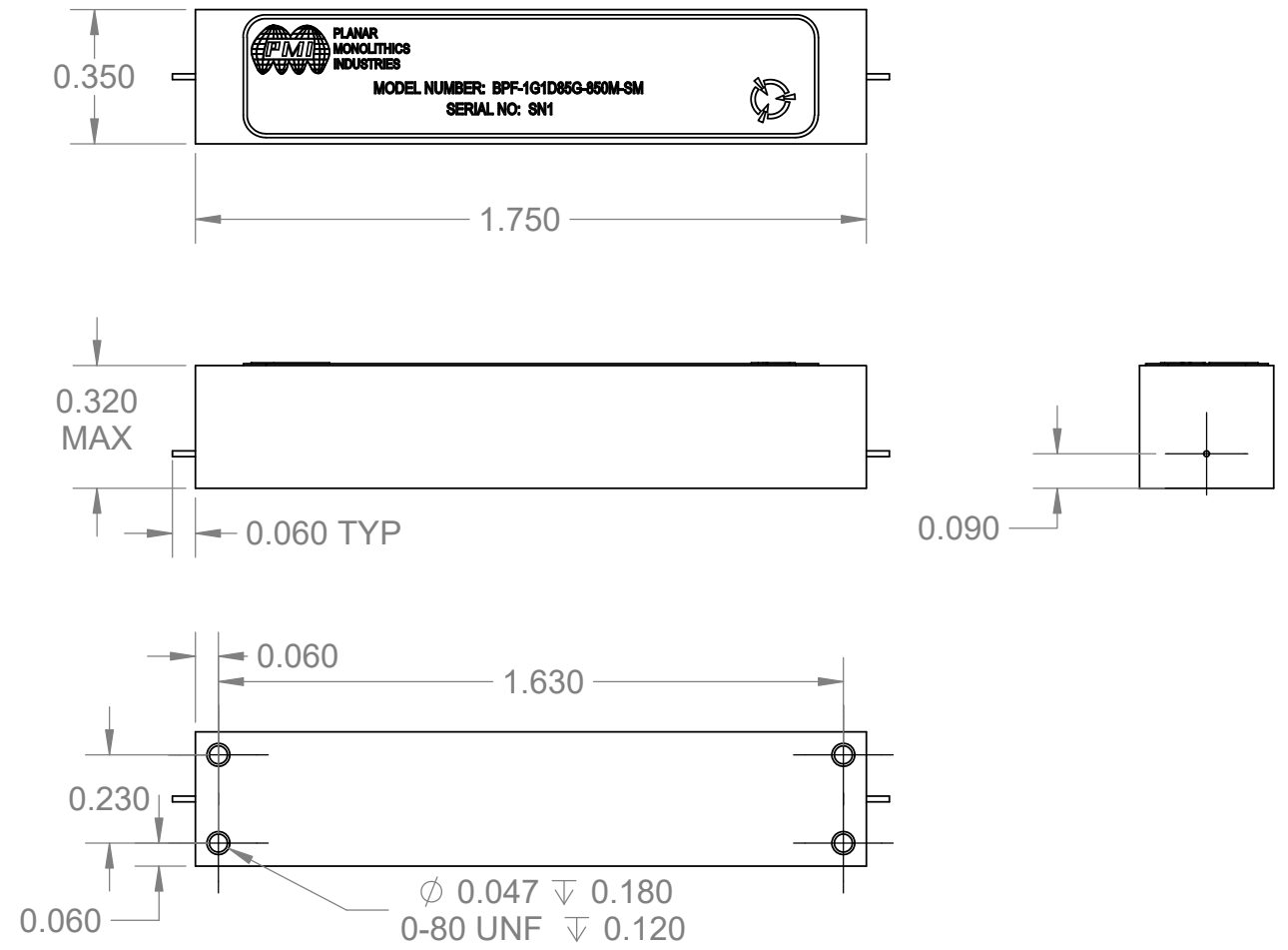
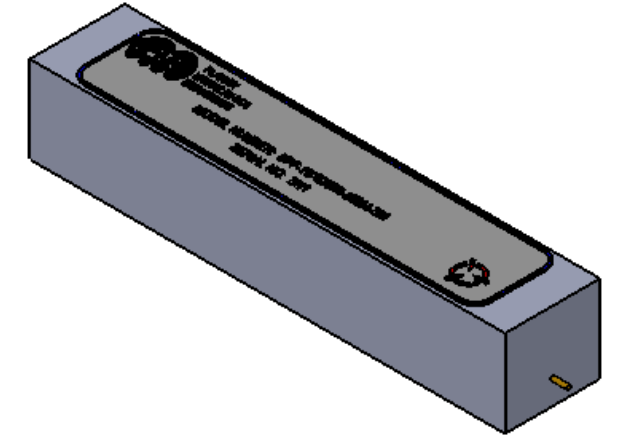
SPECIFICATIONS:

- 1 dB PASSBAND FREQUENCY RANGE:..... 1 GHz TO 1.85 GHz MIN
- PASSBAND BANDWIDTH:..... 850 MHz MIN
- PASSBAND VSWR:..... 1.5:1 TYP, 2.0:1 MAX
- PASSBAND INSERTION LOSS:..... 2.2 dB MAXIMUM
- REJECTION:
 - 0.1 TO 0.89 GHz:..... -60 dBc MINIMUM
 - 1.98 TO 6.0 GHz:..... -60 dBc MINIMUM
- CONNECTORS:..... DROP-IN FILTER, 0.015" DIAMETER RF PIN


ENVIRONMENTAL RATINGS:

- TEMPERATURE:..... -40°C TO +85°C (OPERATING)
-65°C TO +125°C (STORAGE)

ZONE	REV.	DESCRIPTION	DATE	APPROVED
	A1	ORIGINAL RELEASE	5/1/2020	
	B1	UPDATED SPECS	7/14/2020	
	C1	UPDATED SPECS	12/1/2020	



PMI CONFIDENTIAL AND PROPRIETARY

UNLESS OTHERWISE SPECIFIED DIMENSIONS ARE IN INCHES TOLERANCES ARE: FRACTIONS DECIMALS ANGLES ± .XX ± 0.010 ± XXX ± 0.005		PART NO.		 PLANAR MONOLITHICS INDUSTRIES, INC. 7311-F GROVE ROAD FREDERICK, MARYLAND 21704 USA TEL: (301)-862-5019, FAX: (301)-662-1731 WEB: www.pmi-rf.com, EMAIL: sales@pmi-rf.com ISO 9001 CERTIFIED	
MATERIAL:		APPROVALS	DATE	TITLE 1000-1850 MHz BANDPASS FILTER BPF-1G1D85G-850M-SM	
FINISH:		DRAWN D. DURBIN REDRAWN	12/1/2020	SIZE B	FSCM NO. 05XQ0
NEXT ASSY	USED ON	ISSUED		DWG NO. 27035165	REV. C1
APPLICATION				SCALE 2:1	SHEET 1 OF 1