

DESCRIPTION

PMI MODEL BPM-5G6G-180-SFF IS A BI-PHASE MODULATOR THAT OPERATES OVER THE FREQUENCY RANGE OF 5.0 TO 6.0GHz. THE INSERTION LOSS IS 2.5dB AND OFFERS A FAST SWITCHING SPEED OF 500ns MAXIMUM. THIS UNIT OPERATES ON +/-5VDC AND IS SUPPLIED WITH SMA FEMALE CONNECTORS.

SPECIFICATIONS

- FREQUENCY RANGE: 5.0 TO 6.0GHz
- PHASE SHIFT: 0 (REF.) & 180 +/- 5°
- INSERTION LOSS: 2.5dB MAX.
- AMPLITUDE RIPPLE: 0.5dB P-P MAX.
- VSWR: 1.7:1 MAX IN 50Ω
- RF INPUT POWER: +20dBm CW, 1.0W MAX.
- RF CONNECTORS: SMA FEMALE
- CONTROL LOGIC: TTL COMPATIBLE
- LOGIC TABLE:

0	= REFERENCE STATE
1	= PHASE SHIFT
- SWITCHING SPEED: 500nSec MAX.
- POWER CONSUMPTION: +/-5VDC @ +/-50mA
- POWER/GROUND CONNECTIONS: SOLDER PINS

ENVIRONMENTAL RATINGS

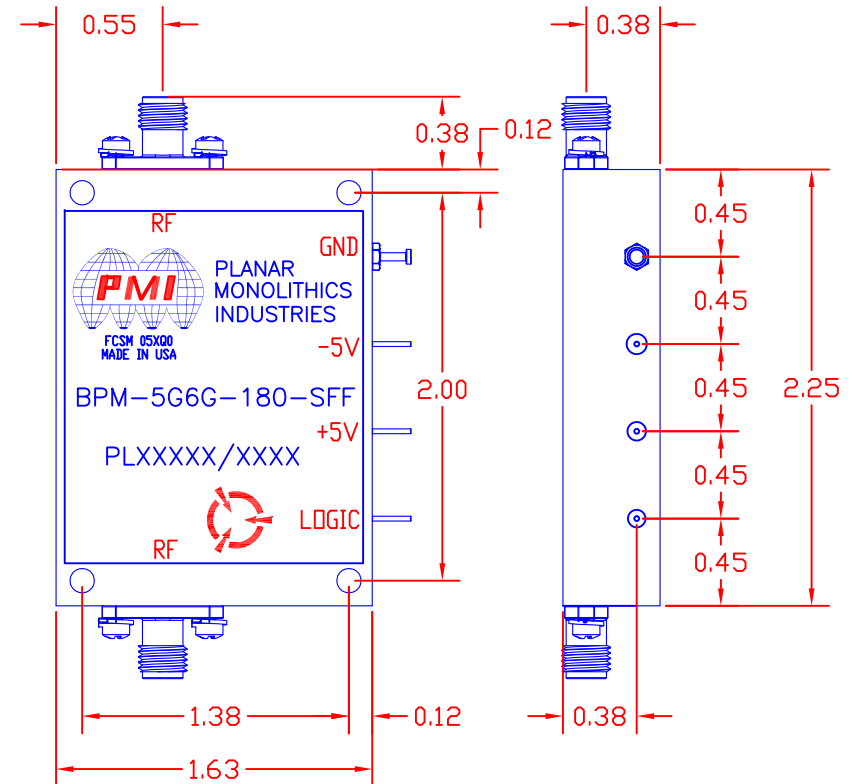
- TEMPERATURE: -55°C TO + 85°C (OPERATING)
-55°C TO +100°C (STORAGE)
- HUMIDITY: MIL-STD-202F, METHOD 103B COND. B
- SHOCK: MIL-STD-202F, METHOD 213B COND. B
- VIBRATION: MIL-STD-202F, METHOD 204D COND. B
- ALTITUDE: MIL-STD-202F, METHOD 105C COND. B
- TEMPERATURE CYCLE: MIL-STD-202F, METHOD 107D COND. A

NOTE: SPECIFICATIONS WILL VARY OVER OPERATING TEMPERATURE
NOTE: THE ABOVE SPECIFICATIONS ARE SUBJECT TO CHANGE OR REVISION

ALL DIMENSIONS ARE IN INCHES
TOLERANCES:
X.XX ±0.020
X.XXX ±0.010

REVISIONS				
ZONE	REV.	DESCRIPTION	DATE	APPROVED
	-	PRELIMINARY	02/04/15	KM

MECHANICAL OUTLINE



PMI CONFIDENTIAL AND PROPRIETARY

PLANAR MONOLITHICS INDUSTRIES, INC.

7311-F GROVE ROAD
FREDERICK, MARYLAND 21704 USA
TEL: 301-662-5019 FAX: 301-662-1731
WEBSITE: www.pmi-rf.com
E-MAIL: sales@pmi-rf.com
ISO 9001 CERTIFIED



APPROVALS		DATE	TITLE		
DRAWN <i>M.Berry</i>		02/04/15	5.0 to 6.0GHz BI-PHASE MODULATOR BPM-5G6G-180-SFF		
CHECKED			SIZE	FCSM NO.	DWG NO.
ISSUED			A	05XQ0	PRELIMINARY
			SCALE	N:S	SHEET 1 OF 1