

REVISIONS				
ZONE	REV.	DESCRIPTION	DATE	APPROVED
	A	ORIGINAL RELEASE	3/9/10	

Description:

Part Number 27305360 (Model Number PE2-20-118-5R0-10-15-SFF) is a 1 - 18 GHz low noise amplifier. This amplifier is supplied in our standard PE2 housing that can be used as a SMA connectorized or a surface mount component.

This model provides the following performance. Data is available upon request.

Specifications:

Frequency Range:	1 to 18 GHz
Gain:	20 dB Min., 26 dB Typ.
Gain Flatness:	+/- 2.0 dB Max.
Noise Figure:	5.0 dB Max.
OP1dB:	+10 dBm Min.
VSWR Input/Output:	2.0:1 Max.
DC Voltage Supply:	+12 to +15VDC
DC Current Draw:	120 mA Typ.

Features:

- Internal Voltage Regulation
- Unconditional Stability
- Standard Operating Temperature -55 to +85 Deg. C

Available Options:

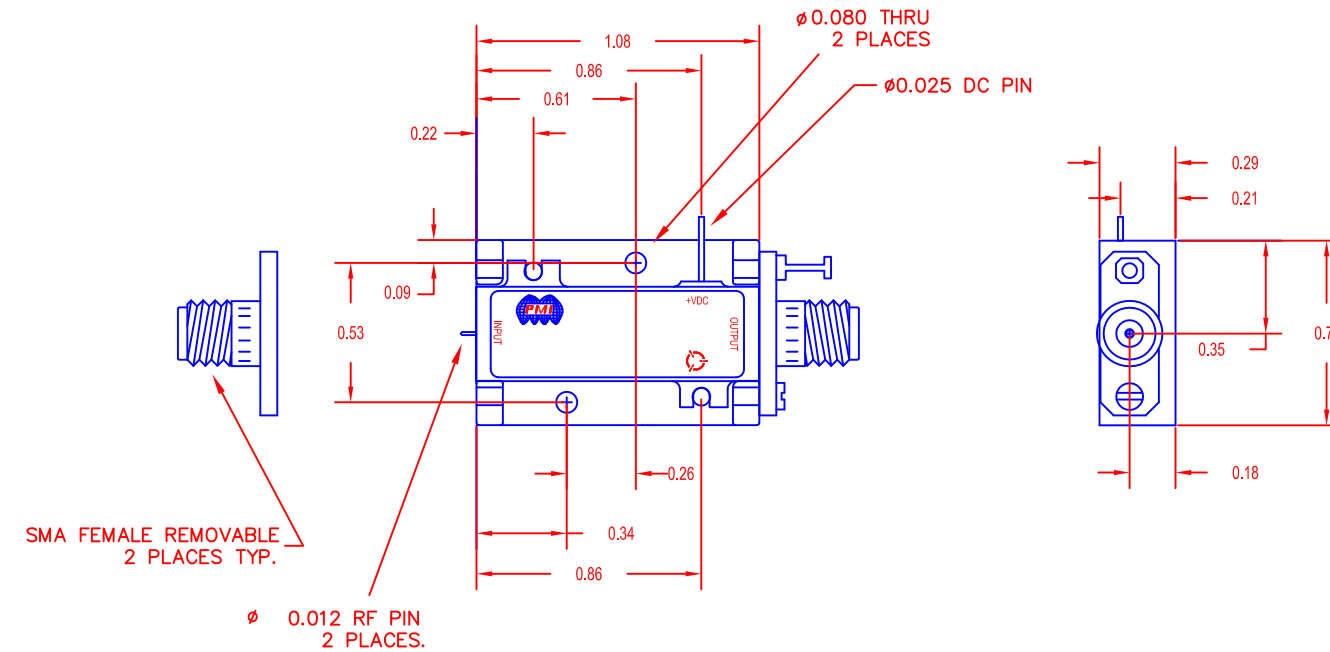
- Various Package types
- Various Connector types
- Temperature Compensation
- Hermetic Sealing
- Gain and Phase Matching
- MIL-STD-883 Screening Available

Environmental Ratings:

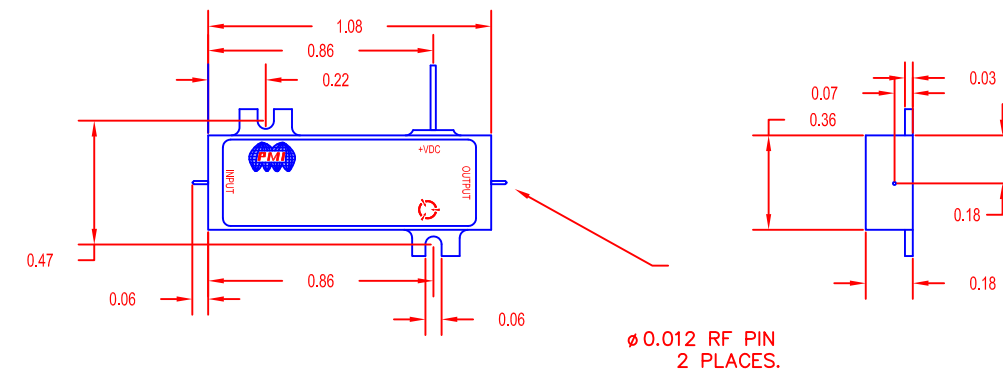
Temperature:	-55 to +85 Deg. C (Operating)
	-65 to +125 Deg. C (Storage)
Humidity:	MIL-STD-202F, METHOD 103B COND B.
Shock:	MIL-STD-202F, METHOD 213B COND B.
Altitude:	MIL-STD-202F, METHOD 105C COND B.
Temperature Cycle:	MIL-STD-202F, METHOD 107D COND A

Note: The above specifications are subject to change or revision.

PE2 HOUSING WITH CARRIER



PE2 HOUSING WITHOUT CARRIER (SURFACE MOUNT)



UNLESS OTHERWISE SPECIFIED
DIMENSIONS ARE IN INCHES
TOLERANCES ARE:
FRACTIONS DECIMALS ANGLES
± .XX ± 0.010 ±
.XXX ± 0.005

MATERIAL: 6061-T6 Aluminum	PART NO.		7311-F GROVE ROAD FREDERICK, MARYLAND												
	APPROVALS	DATE													
FINISH: GOLD PLATED	DRAWN DPD	3/9/10	TITLE OUTLINE DRAWING PE2-20-118-5R0-10-15-SFF												
	CHECKED														
DO NOT SCALE DRAWING	ISSUED		<table border="1"> <tr> <td>SIZE</td> <td>CAGE CODE</td> <td>DWG NO.</td> <td>REV.</td> </tr> <tr> <td>B</td> <td>05XQ0</td> <td>27005362</td> <td>A</td> </tr> <tr> <td>SCALE</td> <td colspan="2">N/A</td> <td>SHEET 1 OF 1</td> </tr> </table>	SIZE	CAGE CODE	DWG NO.	REV.	B	05XQ0	27005362	A	SCALE	N/A		SHEET 1 OF 1
SIZE	CAGE CODE	DWG NO.	REV.												
B	05XQ0	27005362	A												
SCALE	N/A		SHEET 1 OF 1												