

**DESCRIPTION:**

PMI MODEL NUMBER BPF-14D6G18G-3400-SFF IS A BANDPASS FILTER WITH A 3 dB BANDWIDTH OF 3400 MHz MINIMUM COVERING 14600 TO 18000 MHz. THE FILTER IS BUILT IN A CONNECTORIZED PACKAGE.

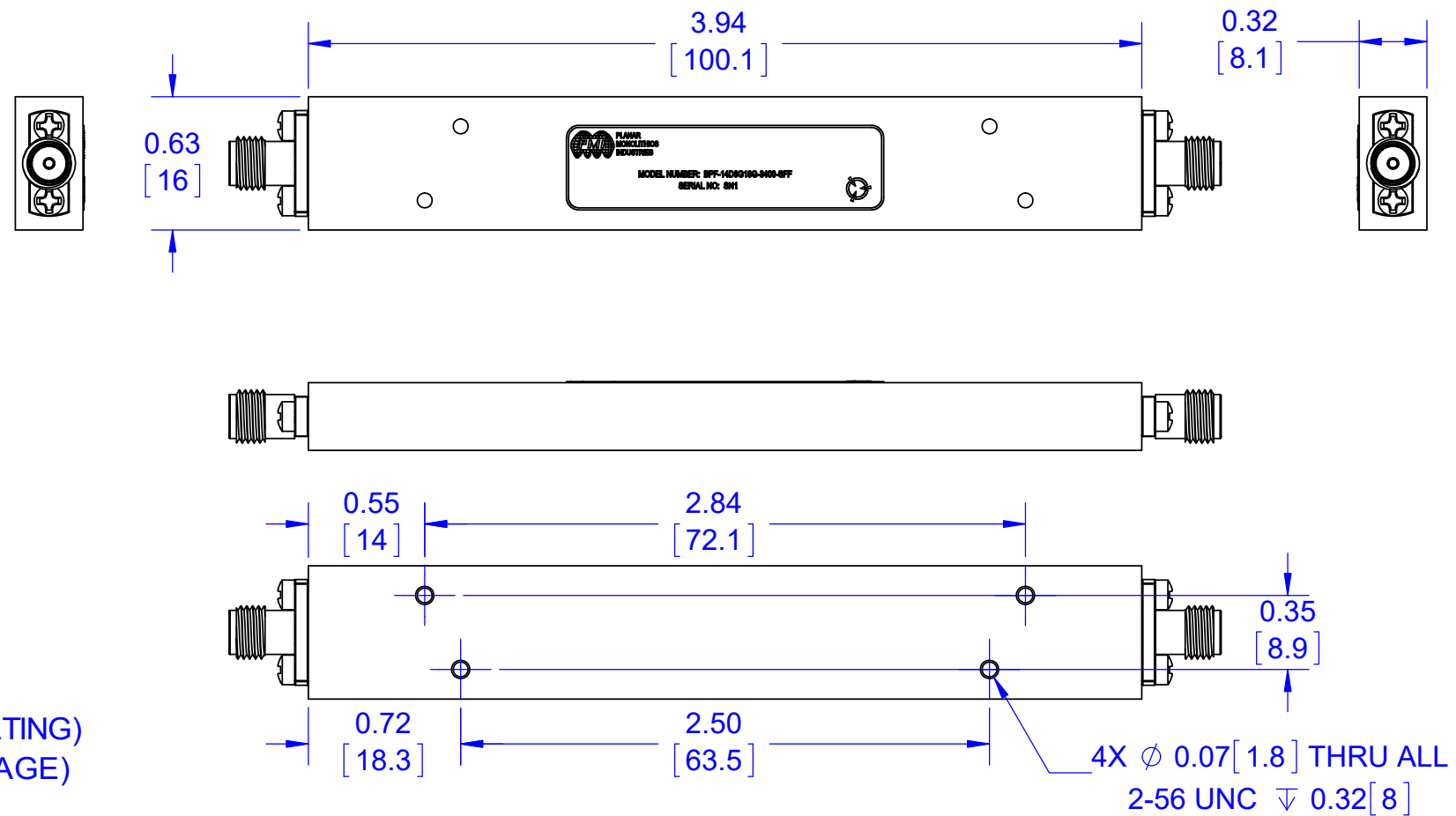
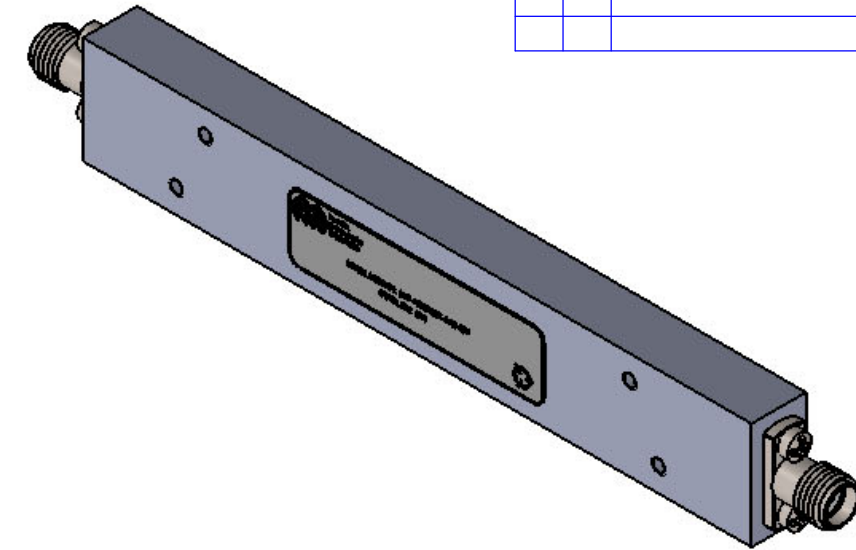
**SPECIFICATIONS:**

- PASSBAND FREQUENCY RANGE:..... 14.6 GHz TO 18 GHz MIN
- PASSBAND BANDWIDTH:..... 3400 MHz MIN
- PASSBAND VSWR:.....2.0:1 MAX
- PASSBAND INSERTION LOSS:.....2.0 dB MAXIMUM
- REJECTION:
  - 0.1 TO 14.2 GHz:.....-60 dBc MINIMUM
  - 18.4 GHz:.....-60 dBc MINIMUM
- CONNECTORS:..... SMA (F)


**ENVIRONMENTAL RATINGS:**

- TEMPERATURE:..... -40°C TO +85°C (OPERATING)  
-65°C TO +125°C (STORAGE)

ZONE	REV.	DESCRIPTION	DATE	APPROVED
	A1	ORIGINAL RELEASE	12/3/2020	



PMI CONFIDENTIAL AND PROPRIETARY

UNLESS OTHERWISE SPECIFIED DIMENSIONS ARE IN INCHES TOLERANCES ARE: FRACTIONS DECIMALS ANGLES ± .XX ± 0.010 ± .XXX ± 0.005		PART NO.		 <b>PLANAR MONOLITHICS INDUSTRIES, INC.</b> 7311-F GROVE ROAD FREDERICK, MARYLAND 21704 USA TEL: (301)-862-5019, FAX: (301)-662-1731 WEB: www.pmi-rf.com, EMAIL: sales@pmi-rf.com ISO 9001 CERTIFIED	
MATERIAL:		APPROVALS	DATE	TITLE	
FINISH:		DRAWN <b>D. DURBIN</b>	12/3/2020	14600-18000 MHz BANDPASS FILTER BPF-14D6G18G-3400-SFF	
NEXT ASSY	USED ON	REDRAWN		SIZE	FSCM NO.
		ISSUED		B	05XQ0
APPLICATION				DWG NO.	REV.
				27035160	A1
				SCALE	SHEET 1 OF 1
				1.25:1	