

## DESCRIPTION

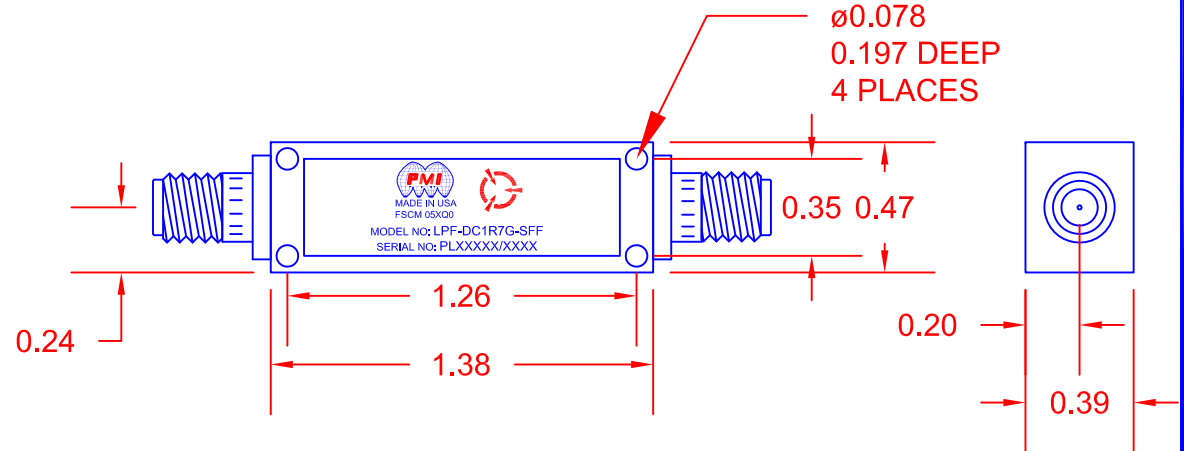
PMI MODEL NO. LPF-DC1R7G-SFF IS A LOW PASS FILTER WITH A FREQUENCY RANGE OF DC TO 1.7 GHz. IT HAS A MAXIMUM INSERTION LOSS OF 3.0 dB AND A MAXIMUM VSWR OF 1.5:1. THIS MODEL IS OUTFITTED WITH SMA FEMALE CONNECTORS.

REVISIONS				
ZONE	REV.	DESCRIPTION	DATE	APPROVED
	-	PRELIMINARY	12/19/2018	

## MECHANICAL OUTLINE

## SPECIFICATIONS

- FREQUENCY RANGE: ----- DC TO 1.7 GHz
- INSERTION LOSS: ----- 3.0 dB MAX
- VSWR: ----- 1.5:1 MAX
- REJECTION @ 1.8 TO 8.0 GHz: ----- 30 dB MIN
- INPUT POWER: ----- 1 WATT MAX
- IMPEDANCE: ----- 50 OHMS
- CONNECTORS: ----- SMA FEMALE



## ENVIRONMENTAL RATINGS

- TEMPERATURE: ----- -40 °C TO +70 °C (OPERATING)  
----- -65 °C TO +125 °C (STORAGE)
- HUMIDITY: ----- MIL-STD-202, METHOD 103B COND. B
- SHOCK: ----- MIL-STD-202, METHOD 213B COND. B
- VIBRATION: ----- MIL-STD-202, METHOD 204D COND. B
- ALTITUDE: ----- MIL-STD-202, METHOD 105C COND. B
- TEMPERATURE CYCLE: ----- MIL-STD-202, METHOD 107D COND. A

NOTE: SPECIFICATIONS WILL VARY OVER OPERATING TEMPERATURE

NOTE: THE ABOVE SPECIFICATIONS ARE SUBJECT TO CHANGE OR REVISION

ALL DIMENSIONS  
ARE IN INCHES [mm]  
TOLERANCES:  
X,XX ±0.020  
X,XXX ±0.010

**PMI CONFIDENTIAL AND PROPRIETARY**

## PLANAR MONOLITHICS INDUSTRIES, INC.

7311-F GROVE ROAD

FREDERICK, MARYLAND 21704 USA

TEL: (301)-662-5019, FAX: (301)-662-1731

WEB: [www.pmi-rf.com](http://www.pmi-rf.com), EMAIL: [sales@pmi-rf.com](mailto:sales@pmi-rf.com)

ISO 9001 CERTIFIED



APPROVALS		DATE	TITLE			
DRAWN <i>EW</i>		12/19/18	PRODUCT FEATURE LPF-DC1R7G-SFF			
REDRAWN			SIZE	FSCM NO.	DWG NO.	REV.
ISSUED			A	05XQ0	PRELIMINARY	-
			SCALE	N:S	SHEET	1 OF 1