

**DESCRIPTION:**

PMI MODEL NUMBER PDVAN-8018E-60-8 IS AN 8 BIT PROGRAMMABLE 60 DB PIN DIODE ATTENUATOR WITH STEP RESOLUTION AS LOW AS 0.25 DB OVER THE EXTENDED FREQUENCY RANGE OF 6.0 GHz TO 18.0 GHz.

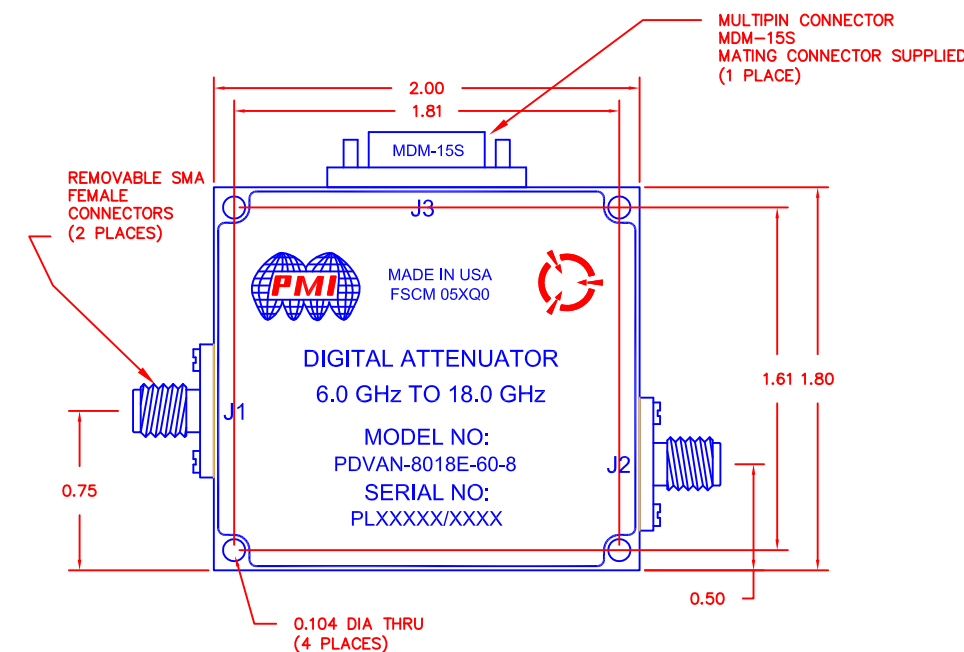
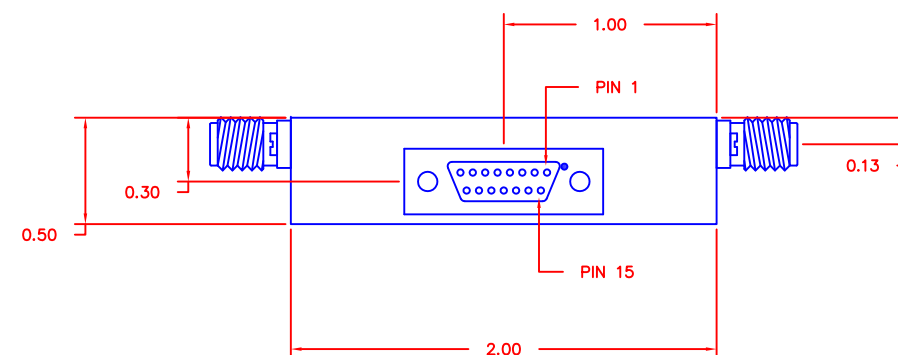
**SPECIFICATIONS:**

- FREQUENCY: 6.0 GHz TO 18.0 GHz
- MEAN ATTENUATION RANGE: 60dB
- LSB: 0.25dB
- INSERTION LOSS: 3.7dB MAX
- VSWR: 2.0:1 MAX
- POWER RATING: +20dBm CW MAX (Operating)  
+30dBm CW MAX (Survival)
- ATTENUATION FLATNESS:
  - @ 10 dB ±0.9 dB
  - @ 20dB ±1.6 dB
  - @ 40dB ±3.0 dB
  - @ 60dB ±3.5 dB
- SWITCHING TIME: 500 nsec MAX
- DIGITAL CONTROL: 8 BIT Binary TTL
- INPUT TRACKING: MONOTONIC
- POWER SUPPLY: +12V to +15V @ 150mA MAX  
-12V to -15V @ 75mA MAX
- PWR/CTL CONNECTORS: 15 PIN Micro-D-Female (MATING CONNECTOR SUPPLIED)
- RF CONNECTORS: SMA - Female
- FINISH: PAINTED BLUE
- SIZE: (L) 2.00" X (W) 1.80" X(H) 0.50"

PIN NO:	J3 PIN FUNCTIONS
1	N/C
2	N/C or Latching Strobe Input *
3	N/C
4	GND
5	0.25dB (LSB)
6	0.5dB
7	1.0dB
8	2.0dB
9	4.0dB
10	8.0dB
11	16.0dB
12	32dB (MSB)
13	+VDC
14	-VDC
15	N/C

\* OPTIONAL

REVISIONS				
ZONE	REV.	DESCRIPTION	DATE	APPROVED
	—	PRELIMINARY	6/18/14	



PMI CONFIDENTIAL AND PROPRIETARY

**ENVIRONMENTAL RATINGS:**

- TEMPERATURE: -55°C TO +85°C (OPERATING)  
-65°C TO +125°C (STORAGE)
- HUMIDITY: MIL-STD-202F, METHOD 103B COND. B
- SHOCK: MIL-STD-202F, METHOD 213B COND. B
- VIBRATION: MIL-STD-202F, METHOD 204D COND. B
- ALTITUDE: MIL-STD-202F, METHOD 105C COND. B
- TEMPERATURE CYCLE: MIL-STD-202F, METHOD 107

- LOGIC INPUT  
LOGIC "0" (BIT OFF) ..... -0.3 to +0.8V  
LOGIC "1" (BIT ON) ..... +2.0 to +5.0V

ALL DIMENSIONS ARE IN INCHES  
TOLERANCES:  
X.XX ±0.020  
X.XXX ±0.010

NOTE: THE ABOVE SPECIFICATIONS ARE SUBJECT TO CHANGE OR REVISION

**PLANAR MONOLITHICS INDUSTRIES, INC.**  
 7311-F GROVE ROAD  
 FREDERICK, MARYLAND 21704 USA  
 TEL: 301-662-5019 FAX: 301-662-1731  
 WEBSITE: [www.pmi-rf.com](http://www.pmi-rf.com)  
 E-MAIL: [sales@pmi-rf.com](mailto:sales@pmi-rf.com)  
 ISO 9001:2008 CERTIFIED



APPROVALS		DATE	TITLE			
DRAWN <i>KM</i>		6/18/14	PRODUCT FEATURE			
CHECKED			PDVAN-8018E-60-8			
ISSUED			SIZE	FSCM NO.	DWG NO.	REV.
			A	05XQ0	PRELIMINARY	—
			SCALE	N:S	SHEET	1 OF 1