

8 7 6 5 4 3 2 1

Description:

Low Noise Amplifier designed for Military and Industrial applications. This amplifier is supplied in our standard PE2 housing that can be used as a SMA connectorized or a surface mount component. Other packages and connector types are available.

This model provides the following performance. Data is available upon request.

Specifications:

- Frequency Range: 1.0 to 4.0 GHz
- Gain: 15dB Typ.
- Gain Flatness: +/-1.0dB Max.
- Noise Figure: 4.5dB Typ.
- OP1dB: 13dBm Min.
- VSWR Input/Output: 2.0:1 Max.
- DC Voltage Supply: +12 to +15VDC
- DC Current Draw: 65mA Max.

Features:

- Internal Voltage Regulation
- Unconditional Stability
- Standard Operating Temperature -20 to +70 Deg. C

Available Options:

- Various Package types
- Various Connector types
- Temperature Compensation
- Hermetic Sealing
- Gain and Phase Matching
- MIL-STD-883 Screening Available

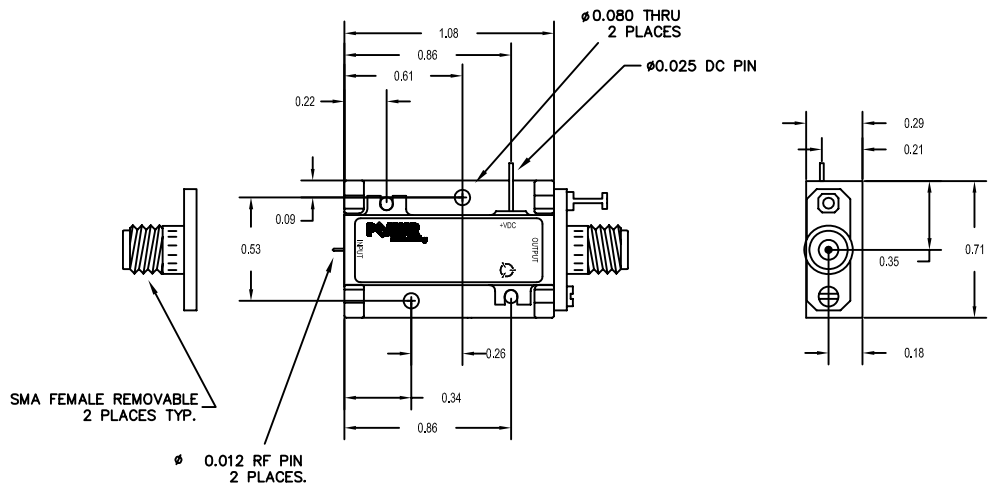
Environmental Ratings:

- Temperature: -20 to +70 Deg. C (Operating) ; -55 to +85 Deg C Available)
- 55 to +125 Deg. C (Storage)
- Humidity: MIL-STD-202F, METHOD 103B COND B.
- Shock: MIL-STD-202F, METHOD 213B COND B.
- Altitude: MIL-STD-202F, METHOD 105C COND B.
- Temperature Cycle: MIL-STD-202F, METHOD 107D COND A

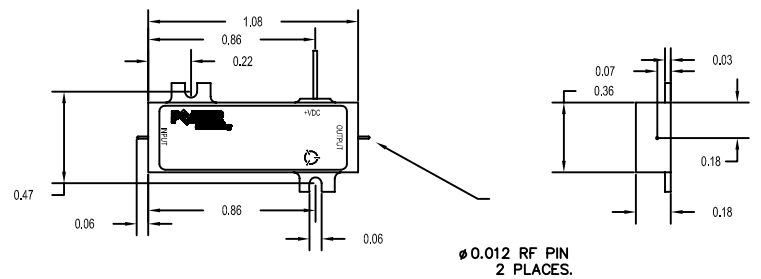
Note: The above specifications are subject to change or revision.

REVISIONS				
ZONE	REV.	DESCRIPTION	DATE	APPROVED
-	-	ORIGINAL RELEASE	2/1/08	

PE2 HOUSING WITH CARRIER



PE2 HOUSING WITHOUT CARRIER (SURFACE MOUNT)



UNLESS OTHERWISE SPECIFIED DIMENSIONS ARE IN INCHES TOLERANCES ARE: FRACTIONS DECIMALS ANGLES ± .XX ± 0.010 ± .XXX ± 0.005

MATERIAL: 6061-T6 Aluminum	APPROVALS	DATE	5715 Industry Lane, Unit 11 FREDERICK, MARYLAND
	DRAWN K Mason	2/21/08	
FINISH: Gold Plate over Nickel	CHECKED		TITLE PRODUCT FEATURE PE2-15-1R04R0-4R5-15-12-SFF SIZE CASE CODE B 1LK53 PWB NO. WEB - MODEL A SCALE N/A SHEET 1 OF 1
DO NOT SCALE DRAWING			

8 7 6 5 4 3 2 1