

DESCRIPTION:

PFC MODEL NUMBER 8CL10G-200-CD-SFF IS A COMBLINE FILTER WITH SMA FEMALE CONNECTORS IN AND OUT. ALL FILTERS WILL BE MACHINED AND SILVER PLATED TO PROVIDE THE HIGHEST POSSIBLE Q.

SPECIFICATIONS:

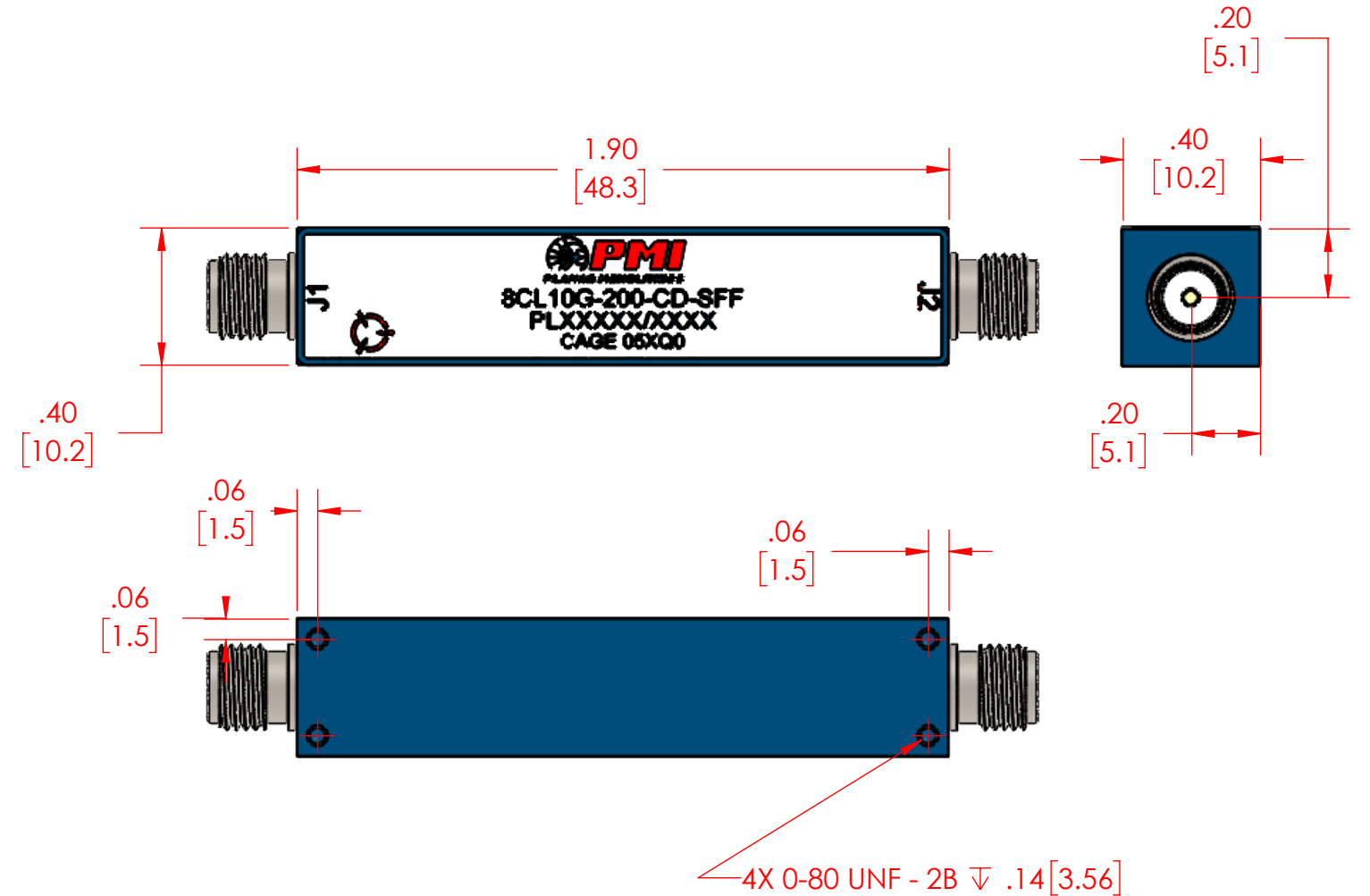
- CENTER FREQUENCY:..... 10 GHz
- 3dB BANDWIDTH:..... 200 MHz
- VSWR IN THE PASS BAND:..... 1.5:1 MAX
- INSERTION LOSS(PASSBAND):..... 2 dB MAX
- REJECTION @9.6 GHz:..... 60 dBc
- REJECTION @10.4 GHz:..... 60 dBc

- CONNECTORS:..... SMA FEMALE CONNECTORS
- SIZE:..... 1.90" (L) x 0.40" (W) x 0.40" (H)
- WEIGHT:..... 1 OZ. TYP.
- FINISH:..... PAINTED BLUE

ENVIRONMENTAL RATINGS:


- TEMPERATURE:..... -55°C TO +85°C (OPERATING)
-65°C TO +125°C (STORAGE)
- HUMIDITY:..... MIL-STD-202, METHOD 103 COND. B
- SHOCK:..... MIL-STD-202, METHOD 213 COND. B
- VIBRATION:..... MIL-STD-202, METHOD 204 COND. B
- ALTITUDE:..... MIL-STD-202, METHOD 105 COND. B
- TEMPERATURE CYCLE:..... MIL-STD-202, METHOD 107 COND. A

ZONE	REV.	DESCRIPTION	DATE	APPROVED
	A1	ORIGINAL RELEASE	5/7/2026	



NOTE: SPECIFICATIONS WILL VARY OVER TEMPERATURE
NOTE: THE ABOVE SPECIFICATIONS ARE SUBJECT TO CHANGE OR REVISION

PMI CONFIDENTIAL AND PROPRIETARY

APPROVALS DATE		 PMI PLANAR MONOLITHICS 7309-A GROVE ROAD FREDERICK, MARYLAND 21704 USA TEL: (301) 662-5019, FAX: (301) 662-1731 WEB: WWW.QUANTICPMI.COM, EMAIL: SALES@QUANTICPMI.COM ISO 9001 CERTIFIED		TITLE	
				OUTLINE 8CL10G-200-CD-SFF	
DRAWN I.Cossio		DATE 5/7/2026		SIZE B	
REDRAWN		ISSUED		FSCM NO. 05XQ0	
UNLESS OTHERWISE SPECIFIED DIMENSIONS ARE IN INCHES TOLERANCES ARE: FRACTIONS .XX ± 0.02 ANGLES ± .XXX ± 0.01		DWG NO. 27054780		REV. A1	
		SCALE 2:1		SHEET 1 OF 1	