

REVISIONS				
ZONE	REV.	DESCRIPTION	DATE	APPROVED
A		ORIGINAL RELEASE	12/15/10	

Description:

Part Number 27005142 (Model Number PE2WR112-40-88R5-12-SFF) is a 5.0 to 8.5 GHz low noise amplifier. This amplifier is supplied in our standard PE2 housing that can be used as a SMA connectorized or a surface mount component.

This model provides the following performance. Data is available upon request.

Specifications:

Frequency Range:	5.0 to 8.5 GHz
Gain:	40dB Typ.
Gain Flatness:	+/- 0.75dB Max.
Noise Figure:	1.27dB Max.
OP1dB:	+10dBm Min.
VSWR Input/Output:	2.0:1 Max.
DC Voltage Supply:	+12 to +15VDC
DC Current Draw:	120mA Max.
Connectors In/Out	SMA Female

Features:

- Internal Voltage Regulation
- Unconditional Stability
- Standard Operating Temperature -55 to +85 Deg. C

Available Options:

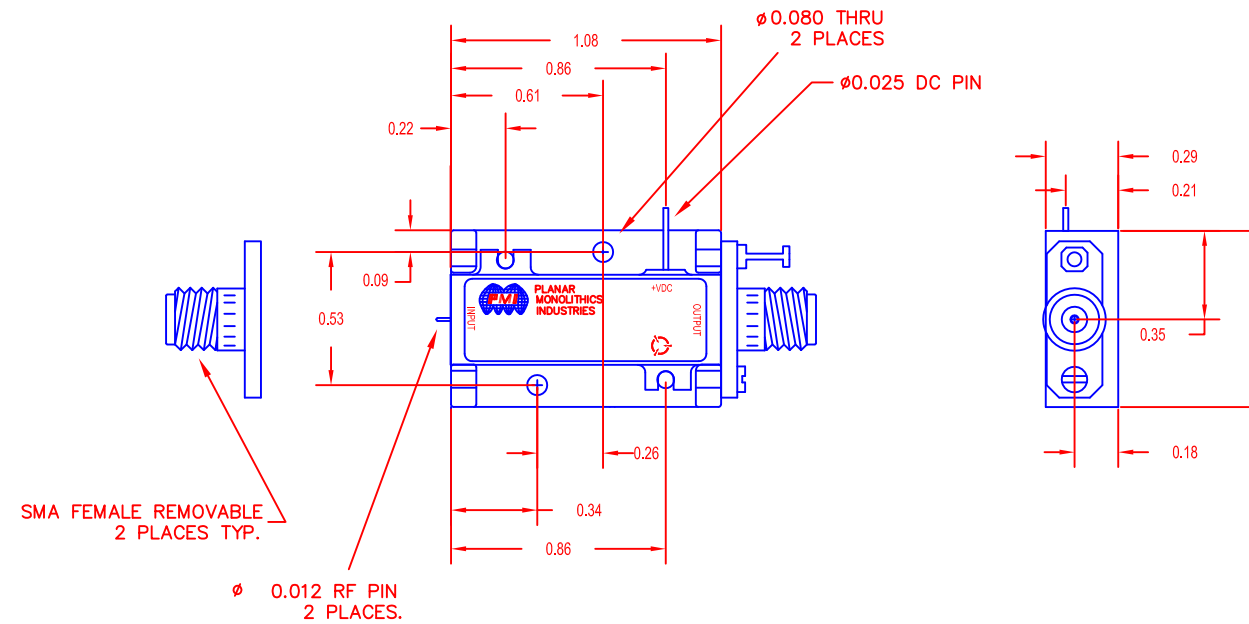
- Various Package types
- Various Connector types
- Temperature Compensation
- Gain and Phase Matching
- MIL-STD-883 Screening Available

Environmental Ratings:

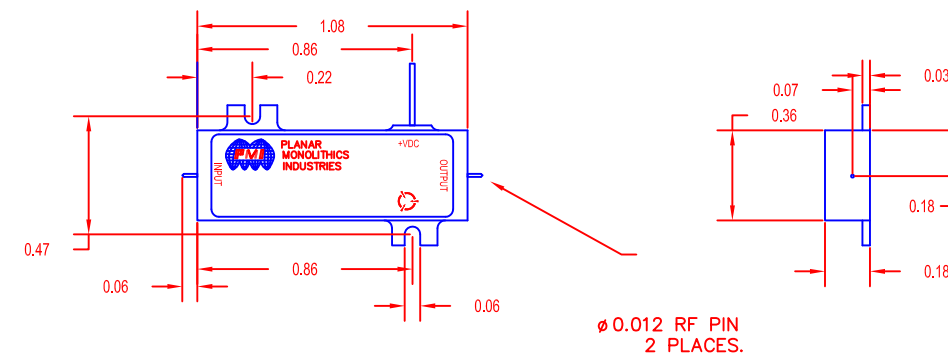
Temperature:	-55 to +85 Deg. C (Operating)
	-65 to +125 Deg. C (Storage)
Humidity:	MIL-STD-202F, METHOD 103B COND B.
Shock:	MIL-STD-202F, METHOD 213B COND B.
Altitude:	MIL-STD-202F, METHOD 105C COND B.
Temperature Cycle:	MIL-STD-202F, METHOD 107D COND A

Note: The above specifications are subject to change or revision.

PE2 HOUSING WITH CARRIER



PE2 HOUSING WITHOUT CARRIER (SURFACE MOUNT)



UNLESS OTHERWISE SPECIFIED
DIMENSIONS ARE IN INCHES
TOLERANCES ARE:
FRACTIONS DECIMALS ANGLES
 ± .XX ± 0.010 ±
 .XXX ± 0.005

PART NO.		APPROVALS		DATE		 <small>7311-F GROVE ROAD FREDERICK, MARYLAND 21704 USA TEL: 301-662-5019 FAX: 301-662-1731 ISO 9001:2008 CERTIFIED WEBSITE: www.pmi-t.com E-MAIL: sales@pmi-t.com</small>	
MATERIAL:	6061-T6 Aluminum	DRAWN	DPD	3/9/10	TITLE	PE2 Series Amplifier	
FINISH:	GOLD PLATED	Modified	SFK	12/15/10		PE2WR112-40-88R5-12-SFF	
DO NOT SCALE DRAWING		ISSUED			SIZE	CAGE CODE	DWG NO.
					B	05XQ0	27005142
					SCALE	N/A	
					SHEET 1 OF 1		

CONFIDENTIAL AND PROPRIETARY