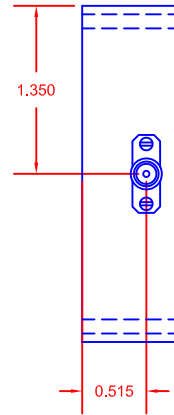


**DESCRIPTION:**

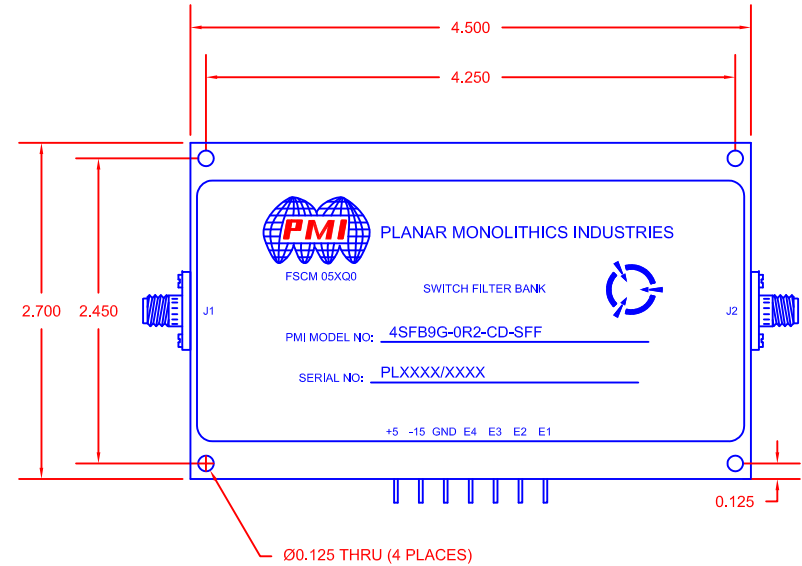
PMI MODEL 4SFB9G-0R2-CD-SFF IS A FOUR CHANNEL SWITCHED FILTER BANK OFFERING FAST SWITCH SPEED & HIGH REJECTION WITH LOW LOSS.

**SPECIFICATIONS:**

- FREQUENCY RANGE: -8990 MHz TO 10420 MHz
- 1dB BW: -160 MHz MIN.
- INSERTION LOSS: -9.5 dB MAX @ Fo.
- PASS-BAND PHASE LINEARITY: - +/-2 degs. over 80 MHz Typ.
- VSWR: -1.5:1 OVER 1dB BW
- IMPEDANCE: -50 OHMS
- SWITCHING SPEED: -1 uS MAX.
- CONTROL: -TTL, 4 LINES, "0V" : OFF, "5V" : ON
- POWER SUPPLY: -+5VDC; 100mA max.  
-15VDC; 100mA max.
- CONNECTOR: -SMA FEMALE (REMOVABLE)
- SIZE: -4.50" (L) X 2.70" (W) X 0.79" (H)
- FINISH: -GREY EPOXY PAINT

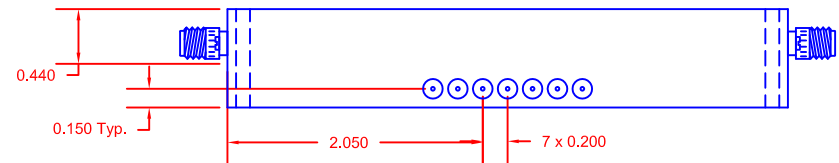


REVISIONS				
ZONE	REV.	DESCRIPTION	DATE	APPROVED
	-	ORIGINAL RELEASE	11/21/08	
	A	Updated Errors of Orig. Release	12/18/08	KM
	B	Reversed Logic Control	12/22/08	KM
	C	Logic Table Update	3/26/09	SP



LOGIC TABLE		
E1	5V : ON	FILTER 1
E2	5V : ON	FILTER 2
E3	5V : ON	FILTER 3
E4	5V : ON	FILTER 4

FILTER CHARACTERISTICS					
PARAMETER	FL1	FL2	FL3	FL4	UNITS
CENTER FREQUENCY	9470	9620	9770	9920	MHz
-10 dB MIN.	OFFSET -120 MHz & +140 MHz OF Fo.				MHz
-20 dB MIN.	OFFSET -160 MHz & +180 MHz OF Fo.				MHz
-30 dB MIN.	OFFSET -300 MHz & +320 MHz OF Fo.				MHz
-40 dB MIN.	OFFSET -340 MHz & +380 MHz OF Fo.				MHz
-60 dB MIN.	OFFSET -480 MHz & +500 MHz OF Fo.				MHz



**ENVIRONMENTAL RATINGS:**

- TEMPERATURE: -40°C TO +85°C (OPERATING)  
-65°C TO +125°C (STORAGE)
- HUMIDITY: -MIL-STD-202F, METHOD 103B COND. B
- SHOCK: -MIL-STD-202F, METHOD 213B COND. B
- VIBRATION: -MIL-STD-202F, METHOD 204D COND. B
- ALTITUDE: -MIL-STD-202F, METHOD 105C COND. B
- TEMPERATURE CYCLE: -MIL-STD-202F, METHOD 107D COND. A

ALL DIMENSIONS ARE IN INCHES  
TOLERANCES:

X.XX ± 0.020  
X.XXX ± 0.010

NOTE: THE ABOVE SPECIFICATIONS ARE SUBJECT TO CHANGE OR REVISION

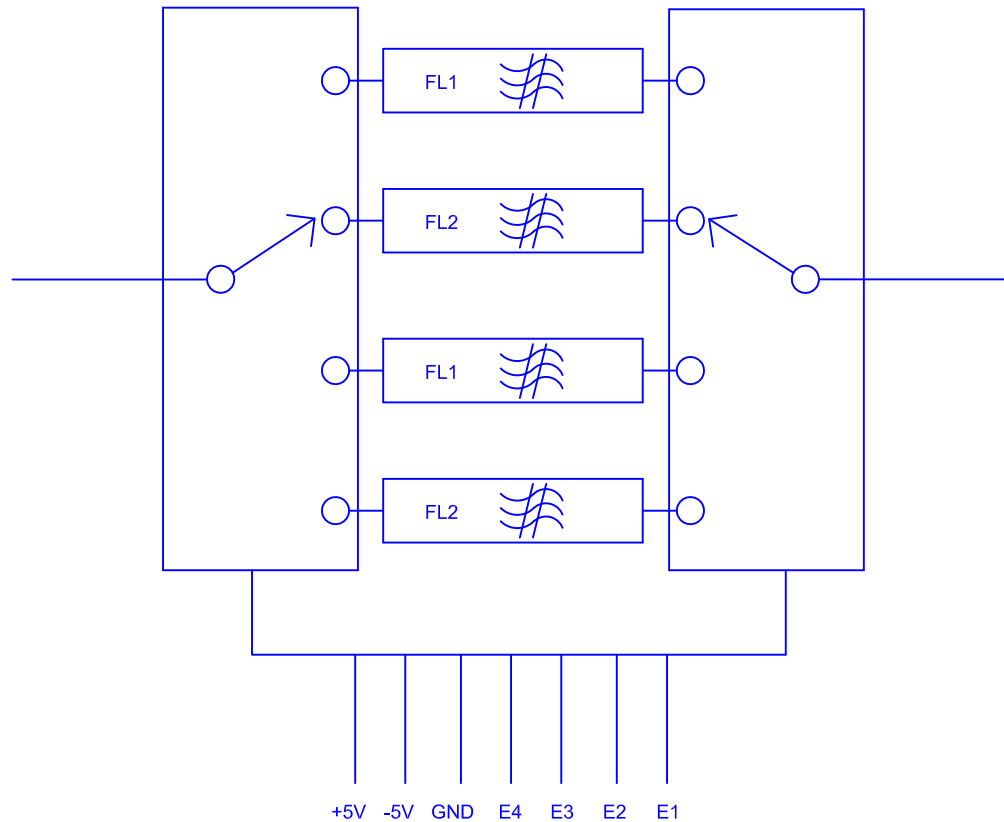
PART NO.		<b>PLANAR MONOLITHICS INDUSTRIES</b> 5715 INDUSTRY LANE UNIT 11 FREDERICK, MARYLAND	
APPROVALS	DATE	TITLE	
S. PALACIO	11/21/08	<b>OUTLINE DRAWING</b> <b>4SFB9G-0R2-CD-SFF</b> <b>SWITCHED FILTER BANK</b>	
ISSUED	SIZE	FSCM NO.	DWG NO.
	A	05XQ0	27009941
	SCALE		SHEET 1 of 1
			REV. C

**DESCRIPTION:**

PMI MODEL 4SFB9G-0R2-CD-SFF IS A FOUR CHANNEL SWITCHED FILTER BANK OFFERING FAST SWITCH SPEED & HIGH REJECTION WITH LOW LOSS.

REVISIONS				
ZONE	REV.	DESCRIPTION	DATE	APPROVED
	-	ORIGINAL RELEASE	11/21/08	

# FUNCTIONAL BLOCK DIAGRAM




**ENVIRONMENTAL RATINGS:**

- TEMPERATURE: 0°C TO +85°C (OPERATING)  
-65°C TO +125°C (STORAGE)
- HUMIDITY: MIL-STD-202F, METHOD 103B COND. B
- SHOCK: MIL-STD-202F, METHOD 213B COND. B
- VIBRATION: MIL-STD-202F, METHOD 204D COND. B
- ALTITUDE: MIL-STD-202F, METHOD 105C COND. B
- TEMPERATURE CYCLE: MIL-STD-202F, METHOD 107D COND. A

ALL DIMENSIONS ARE IN INCHES  
TOLERANCES:

X.XX ± 0.020  
X.XXX ± 0.010

NOTE: THE ABOVE SPECIFICATIONS ARE SUBJECT TO CHANGE OR REVISION

PART NO.		 <b>PLANAR MONOLITHICS INDUSTRIES</b> 5715 INDUSTRY LANE UNIT 11 FREDERICK, MARYLAND	
APPROVALS	DATE	TITLE	
DRAWN <b>S. PALACIO</b>	11/21/08	<b>OUTLINE DRAWING</b> <b>4SFB9G-0R2-CD-SFF</b> <b>SWITCHED FILTER BANK</b>	
CHECKED		SIZE	FSCM NO.
ISSUED		A	05XQ0
		DWG NO.	XXXXXXXXXX
		SCALE	REV. -
		SHEET	2 of 2