

DESCRIPTION

PMI MODEL P1T-2G4G-55-T-SFF IS A SINGLE POLE, SINGLE THROW, ABSORPTIVE SWITCH PROVIDING ULTRA-FAST SWITCHING SPEED AND HIGH ISOLATION. THIS SWITCH MODULE CONTAINS AN INTEGRAL TTL DRIVER AND THE DC SUPPLY VOLTAGE IS ONLY +5V.

SPECIFICATIONS

- FREQUENCY RANGE: 2.0 TO 4.0GHz
- INSERTION LOSS: 1.8dB MAX
- ISOLATION: 55dB MIN
- INPUT/OUTPUT VSWR AT SWITCH ON: 1.7:1 MAX
 - OUTPUT CONNECTOR SHALL BE TERMINATED AT 50 OHMS DURING THE MEASUREMENT OF INPUT CONNECTOR
 - INPUT CONNECTOR SHALL BE TERMINATED AT 50 OHMS DURING THE MEASUREMENT OF OUTPUT CONNECTOR
- INPUT VSWR AT SWITCH OFF: 1.7:1 MAX
 - OUTPUT CONNECTOR SHALL BE OPENED DURING THE MEASUREMENT OF INPUT CONNECTOR
- POWER INPUT: (CW)+20dBm
- SURVIVAL POWER: 1 WATT CW, 10 WATTS PEAK 1us
- CTL VOLTAGE FOR SWITCH (CTL TERM): +5 V ± 0.5 V (OFF)
0 V +0.5 V/-0.0 V (ON)
- POWER SUPPLY: 5 V ± 0.5 V @ 60 mA (ON)
5 V ± 0.5 V @ 6.5 mA (OFF)
- CONNECTORS
 - RF: SMA FEMALE
 - CONTROL: SOLDER PIN
- SIZE: (L) 1.18" X (W) 1.10" X (H) 0.51"
- WEIGHT: 1.5 OUNCE TYP
- FINISH: BLUE EPOXY POLIMIDE COATING IAW MIL-C-22750, TYPE I OVER EPOXY POLIMIDE PRIMER IAW MIL-P-23377, TYPE I, CLASS 1 OR 3.

ENVIRONMENTAL RATINGS

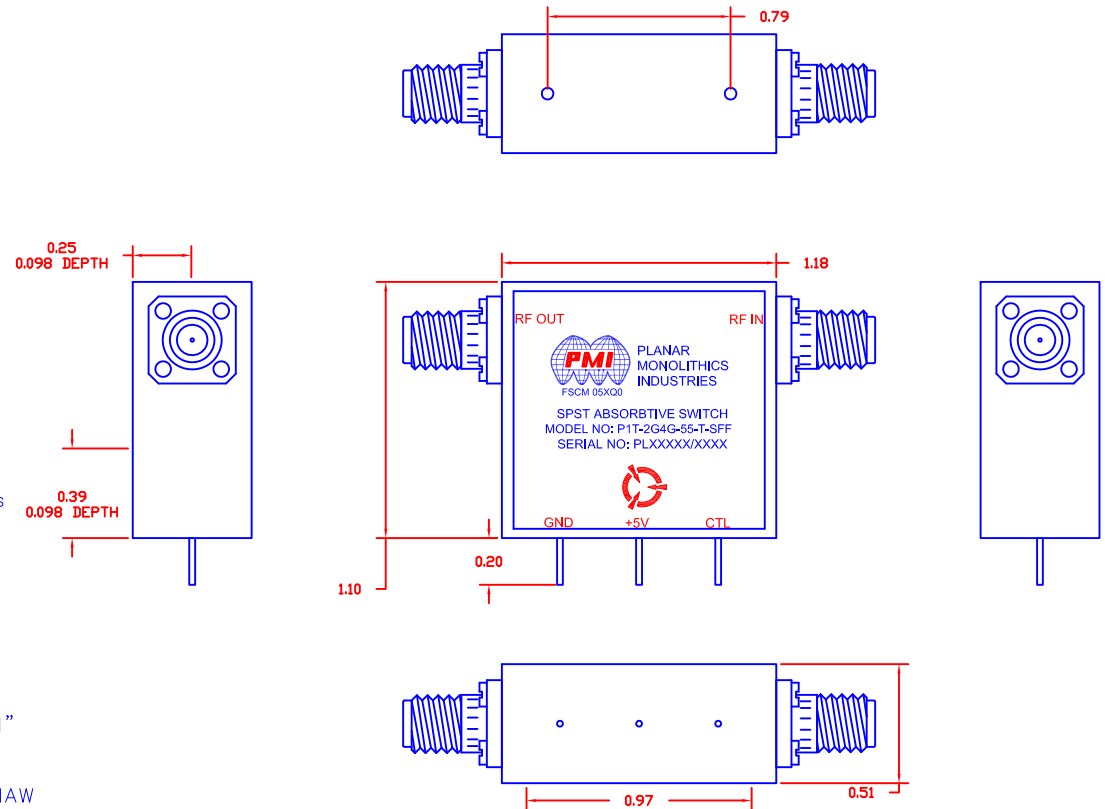
- TEMPERATURE: -55°C TO + 85°C (OPERATING)
-65°C TO +125°C (STORAGE)
- HUMIDITY: MIL-STD-202F, METHOD 103B COND. B
- SHOCK: MIL-STD-202F, METHOD 213B COND. B
- VIBRATION: MIL-STD-202F, METHOD 204D COND. B
- ALTITUDE: MIL-STD-202F, METHOD 105C COND. B
- TEMPERATURE CYCLE: MIL-STD-202F, METHOD 107D COND. A

NOTE: SPECIFICATIONS WILL VARY OVER OPERATING TEMPERATURE
NOTE: THE ABOVE SPECIFICATIONS ARE SUBJECT TO CHANGE OR REVISION

ALL DIMENSIONS ARE IN INCHES
TOLERANCES:
X.XX ±0.020
X.XXX ±0.010

REVISIONS				
ZONE	REV.	DESCRIPTION	DATE	APPROVED
	-	PRELIMINARY	12/17/18	

MECHANICAL OUTLINE



PMI CONFIDENTIAL AND PROPRIETARY

PLANAR MONOLITHICS INDUSTRIES, INC.

7311-F GROVE ROAD
FREDERICK, MARYLAND 21704 USA
TEL: 301-662-5019 FAX: 301-662-1731
WEBSITE: www.pmi-rf.com
E-MAIL: sales@pmi-rf.com
ISO 9001 CERTIFIED



APPROVALS		DATE	TITLE		
DRAWN <i>EW</i>		12/17/18	PRODUCT FEATURE P1T-2G4G-55-T-SFF		
REDRAWN			SIZE A	FSCM NO. 05XQ0	DWG NO. PRELIMINARY
ISSUED			SCALE N: S		SHEET 1 OF 1