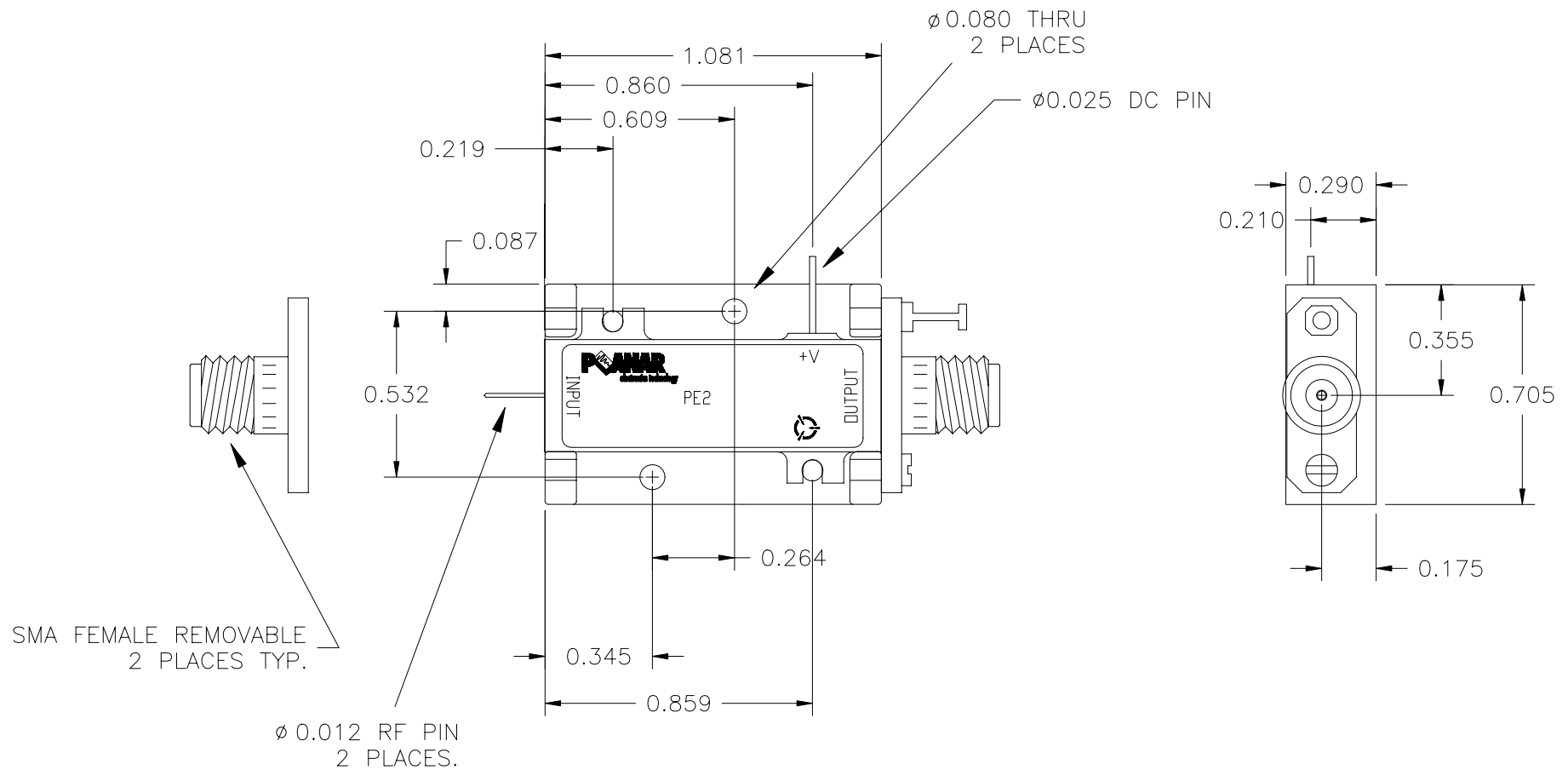


REVISIONS				
ZONE	REV.	DESCRIPTION	DATE	APPROVED
	-	OUTLINE DRAWING	11/16/99	
	A	Changed Dim's to X.XXX Tolerance	6/21/04	
	B	Changed overall height from .367 to .290	11/12/04	



ALL DIMENSIONS ARE IN INCHES

TOLERANCES:
 X.XX ± 0.010
 X.XXX ± 0.005



7311-G GROVE ROAD
FREDERICK, MARYLAND

APPROVALS	DATE	Mechanical Drawing PE2 / PM2	
DRAWN KS	11/16/99		
CHECKED			
SIZE	A	SHEET	1 OF 1