

## DESCRIPTION

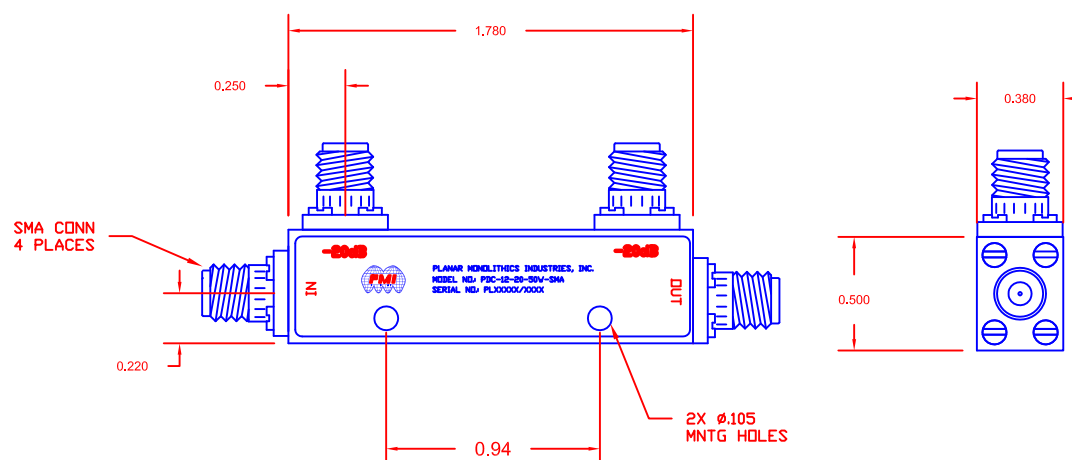
PMI MODEL PDC-12-20-50W-SMA IS A 20dB DIRECTIONAL COUPLER THAT HAS AN OPERATING FREQUENCY OF 4-18 GHZ. THIS MODEL FEATURES LOW VSWR, HIGH DIRECTIVITY, BROADBAND AND COMPACT SIZE.

REVISIONS				
ZONE	REV.	DESCRIPTION	DATE	APPROVED
	A1	PRELIMINARY		

## SPECIFICATIONS

- FREQUENCY RANGE:-- 1-2 GHz
- INSERTION LOSS:----  $\leq 0.2\text{dB}$  (Excl. Coupling Loss 0.04 dB)
- COUPLING FACTOR:--  $\leq 20\text{ dB} \pm 0.7\text{dB}$
- COUPLING SENSITIVITY:-----  $> 0.75\text{ dB}$
- DIRECTIVITY:-----  $> 25\text{dB}$
- POWER HANDLING:--- INCIDENT  $\leq 50\text{ WATT}$   
REFLECTED  $\leq 50\text{ WATT}$
- IMPEDANCE:-----  $50\Omega$
- CONNECTORS:----- SMA-FEMALE
- FINISH:----- PAINTED BLUE

## MECHANICAL OUTLINE



## ENVIRONMENTAL RATINGS

- TEMPERATURE: -----  $-55\text{ }^{\circ}\text{C}$  TO  $+85\text{ }^{\circ}\text{C}$  (OPERATING)
- HUMIDITY: ----- UP TO 95%, NON-CONDENSING

NOTE: THE ABOVE SPECIFICATIONS ARE SUBJECT TO CHANGE OR REVISION

**PMI CONFIDENTIAL AND PROPRIETARY**

### PLANAR MONOLITHICS INDUSTRIES, INC.

7311-F GROVE ROAD

FREDERICK, MARYLAND 21704 USA

TEL: (301)-662-5019, FAX: (301)-662-1731

WEB: [www.pmi-rf.com](http://www.pmi-rf.com), EMAIL: [sales@pmi-rf.com](mailto:sales@pmi-rf.com)

ISO 9001 CERTIFIED



APPROVALS		DATE	TITLE			
DRAWN	<i>EJM</i>	11/08/20	OUTLINE DRAWING PDC-12-20-50W-SMA			
CHECKED			SIZE	FSCM NO.	DWG NO.	REV.
ISSUED			A	05XQ0		
			SCALE	N/A	SHEET	1 OF 1