

## DESCRIPTION

PMI MODEL NUMBER: P1T-0R5G18G-60-T-SFF-OPT1G6G IS A SINGLE POLE, SINGLE THROW ABSORPTIVE SOLID STATE SWITCH THAT OPERATES OVER THE FREQUENCY RANGE OF 1.0 TO 6.0 GHz. THIS MODEL HAS A MAXIMUM INSERTION LOSS OF 3.5dB AND AN ISOLATION SPECIFICATION OF 60dB. IT OPERATES AT 20dBm CW, AND CAN SURVIVE 1 WATT CW, 10 WATTS PEAK FOR 1 us.

## SPECIFICATIONS

- FREQUENCY RANGE: \_\_\_\_\_ 1.0 TO 6.0 GHz
- INSERTION LOSS: \_\_\_\_\_ 3.5dB MAX
- ISOLATION: \_\_\_\_\_ 60dB (1.0 TO 2.0 GHz)  
70dB (2.0 TO 6.0 GHz)
- VSWR (IN/OUT): \_\_\_\_\_ 2.0:1
- SWITCHING SPEED:
  - RISE/FALL: \_\_\_\_\_ 10ns TYP, 15ns MAX
  - DELAY ON/OFF: \_\_\_\_\_ 75ns TYP, 100ns MAX
- INPUT POWER: \_\_\_\_\_ +20dBm CW
- SURVIVAL POWER: \_\_\_\_\_ 1 WATT CW, 10 WATTS PEAK, 1 us
- CONTROL: \_\_\_\_\_ TTL LOGIC = "0" - ON, "1" - OFF
- POWER SUPPLY: \_\_\_\_\_ +5VDC @ 70mA MAX  
-5VDC @ 100mA MAX
- CONNECTORS: \_\_\_\_\_ SMA FEMALE
- SIZE: \_\_\_\_\_ (L) 1.0" X (W) 1.0" (H) 0.5"
- FINISH: \_\_\_\_\_ GRAY EPOXY POLIMIDE COATING IAW MIL-C-22750, TYPE I OVER EPOXY POLIMIDE PRIMER IAW MIL-P-23377, TYPE I, CLASS 1 OR 3.

## ENVIRONMENTAL RATINGS

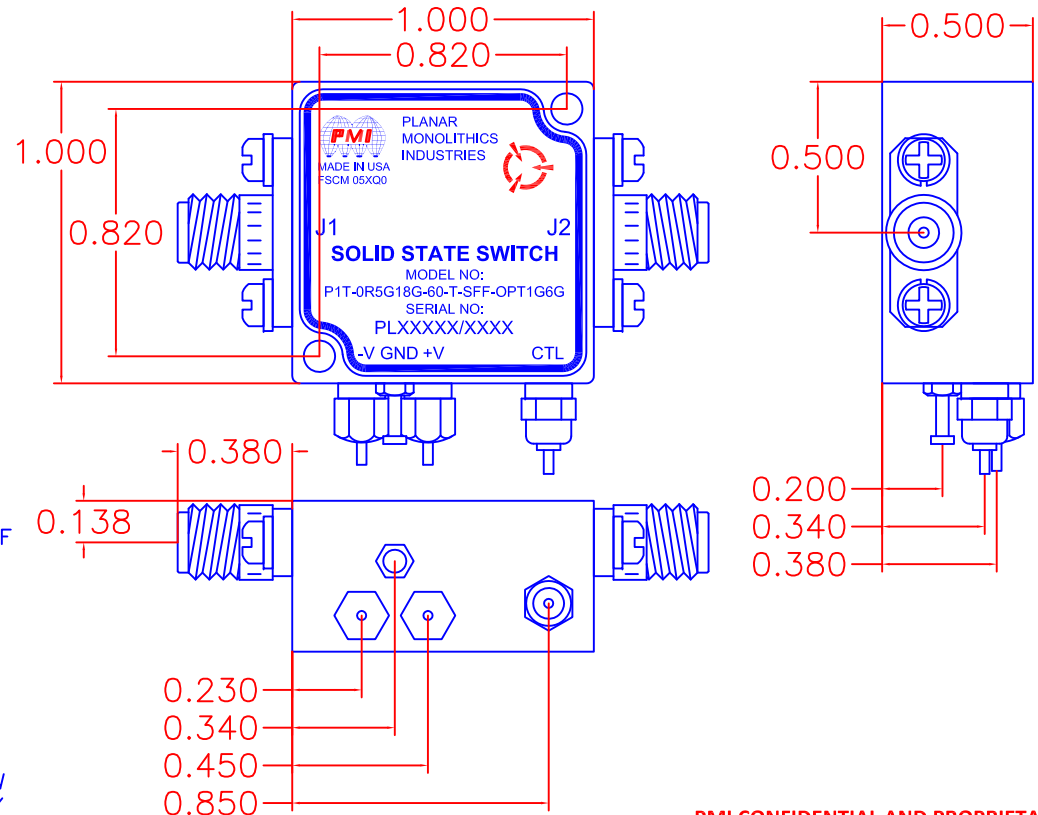
- TEMPERATURE: \_\_\_\_\_ -55°C TO + 85°C (OPERATING)  
-65°C TO +125°C (STORAGE)
- HUMIDITY: \_\_\_\_\_ MIL-STD-202F, METHOD 103B COND. B
- SHOCK: \_\_\_\_\_ MIL-STD-202F, METHOD 213B COND. B
- VIBRATION: \_\_\_\_\_ MIL-STD-202F, METHOD 204D COND. B
- ALTITUDE: \_\_\_\_\_ MIL-STD-202F, METHOD 105C COND. B
- TEMPERATURE CYCLE: \_\_\_\_\_ MIL-STD-202F, METHOD 107D COND. A

NOTE: SPECIFICATIONS WILL VARY OVER OPERATING TEMPERATURE  
NOTE: THE ABOVE SPECIFICATIONS ARE SUBJECT TO CHANGE OR REVISION

ALL DIMENSIONS ARE IN INCHES  
TOLERANCES:  
X.XX ±0.020  
X.XXX ±0.010

REVISIONS				
ZONE	REV.	DESCRIPTION	DATE	APPROVED
	-	PRELIMINARY	8/25/19	

## MECHANICAL OUTLINE



PMI CONFIDENTIAL AND PROPRIETARY

## PLANAR MONOLITHICS INDUSTRIES, INC.

7311-F GROVE ROAD  
FREDERICK, MARYLAND 21704 USA  
TEL: 301-662-5019 FAX: 301-662-1731  
WEBSITE: [www.pmi-rf.com](http://www.pmi-rf.com)  
E-MAIL: [sales@pmi-rf.com](mailto:sales@pmi-rf.com)  
ISO 9001 CERTIFIED



APPROVALS		DATE	TITLE			
DRAWN	<i>fk</i>	10/18/18	PRODUCT FEATURE			
REDRAWN	<i>EW</i>	8/25/19	P1T-0R5G18G-60-T-SFF-OPT1G6G			
ISSUED			SIZE	FSCM NO.	DWG NO.	REV.
			A	05XQ0	PRELIMINARY	-
			SCALE	N:S	SHEET	1 OF 1