

REVISIONS				
ZONE	REV.	DESCRIPTION	DATE	APPROVED
A		ORIGINAL RELEASE	3/2/10	

Description:

Part Number 27312480 (Model Number PE2-30-10D5G10D7G-1R1-10-12-SFF) is a 10.5 - 10.7 GHz low noise amplifier. This amplifier is supplied in our standard PE2 housing that can be used as a SMA connectorized or a surface mount component.

This model provides the following performance. Data is available upon request.

Specifications:

Frequency Range:	10.5 to 10.7 GHz
Gain:	30 dB Min.
Gain Flatness:	+/- 0.75 dB Max.
Noise Figure:	1.1 dB Max.
OP1dB:	+10 dBm Min.
VSWR Input/Output:	1.8:1 Max.
DC Voltage Supply:	+12 to +15VDC
DC Current Draw:	150 mA Max.

Features:

- Internal Voltage Regulation
- Unconditional Stability
- Standard Operating Temperature -55 to +85 Deg. C

Available Options:

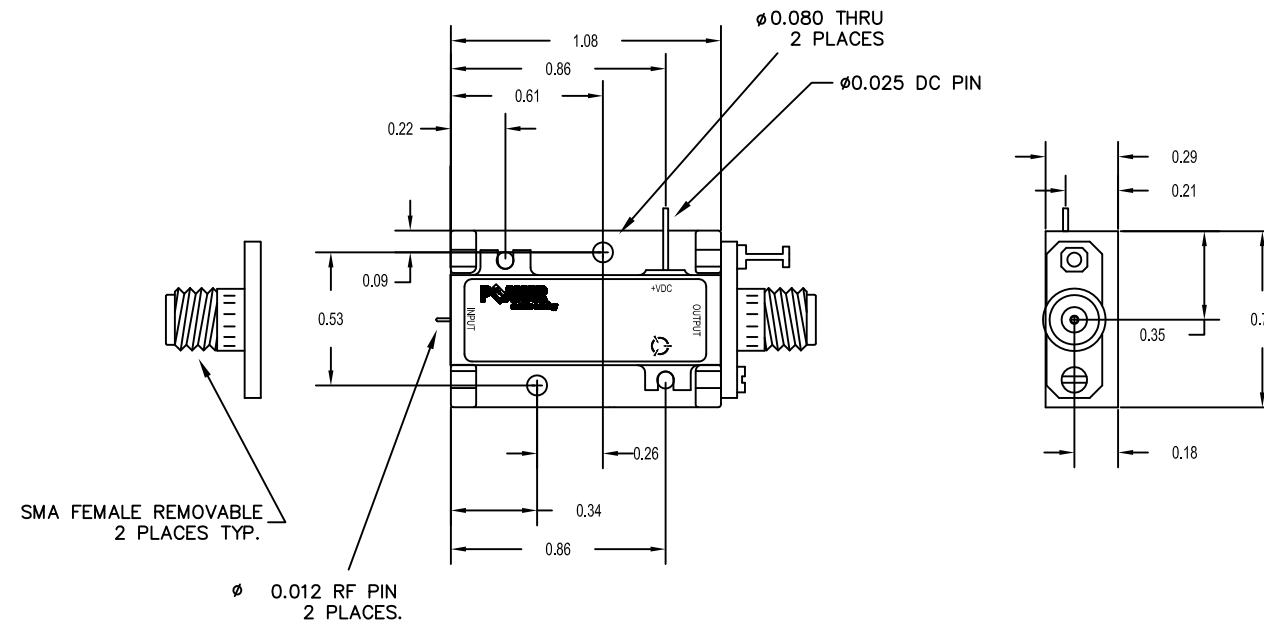
- Various Package types
- Various Connector types
- Temperature Compensation
- Hermetic Sealing
- Gain and Phase Matching
- MIL-STD-883 Screening Available

Environmental Ratings:

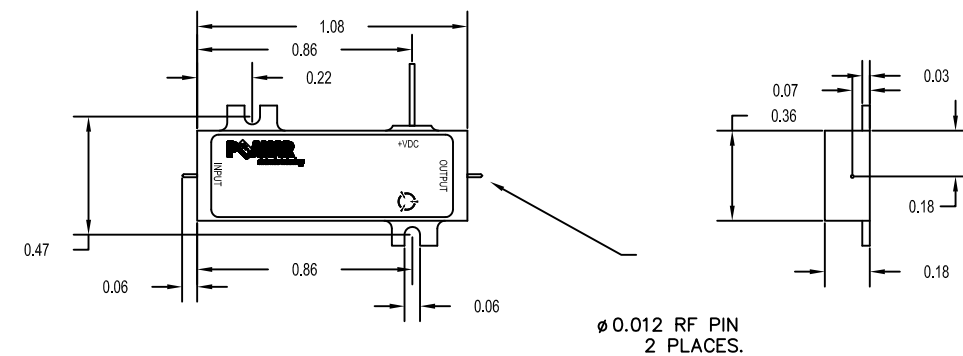
Temperature:	-55 to +85 Deg. C (Operating)
	-65 to +125 Deg. C (Storage)
Humidity:	MIL-STD-202F, METHOD 103B COND B.
Shock:	MIL-STD-202F, METHOD 213B COND B.
Altitude:	MIL-STD-202F, METHOD 105C COND B.
Temperature Cycle:	MIL-STD-202F, METHOD 107D COND A

Note: The above specifications are subject to change or revision.

PE2 HOUSING WITH CARRIER



PE2 HOUSING WITHOUT CARRIER (SURFACE MOUNT)



UNLESS OTHERWISE SPECIFIED
DIMENSIONS ARE IN INCHES
TOLERANCES ARE:
FRACTIONS DECIMALS ANGLES
 $\pm .XX \pm 0.010$ \pm
 $.XXX \pm 0.005$

MATERIAL: 6061-T6 Aluminum	PART NO.		7311-F GROVE ROAD FREDERICK, MARYLAND
	APPROVALS	DATE	
FINISH: GOLD PLATED	DRAWN DPD	3/2/10	TITLE OUTLINE DRAWING
	CHECKED		PE2-30-10D5G10D7G-1R1-10-12-SFF
DO NOT SCALE DRAWING	ISSUED		SIZE B
			CAGE CODE 05XQ0
			DWG NO. 27012481
			REV. A
			SCALE N/A
			SHEET 1 OF 1