

DESCRIPTION

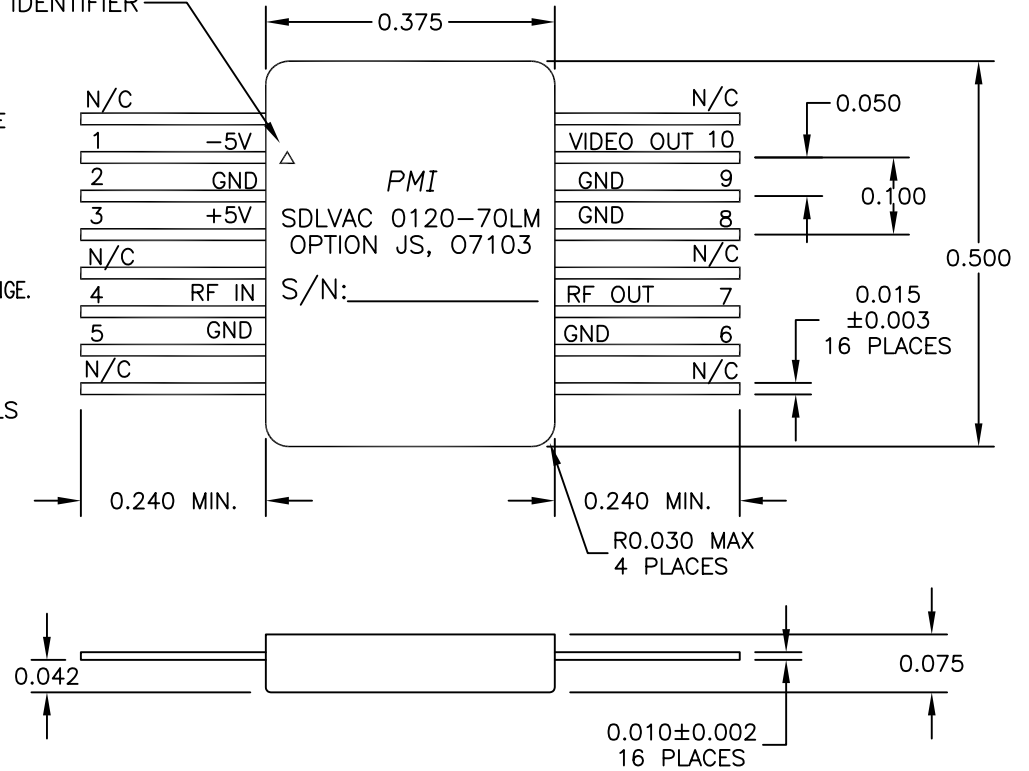
THE MODEL SDLVAC-0120-70LM OPTION JS, OPTION 0713 IS A MINIATURE SUCCESSIVE DETECTION LOG VIDEO AMPLIFIER (SDLVA), IT OPERATES OVER THE 700 MHz TO 1.3 GHz RANGE USING 2 (TWO) HYBRID MIC/MMIC CHIPS OF OUR EXISTING SDLVAC-0120-70M UNITS.

REVISIONS				
ZONE	REV.	DESCRIPTION	DATE	APPROVED
	-	ORIGINAL JOB# 01045P	05/02/02	

SPECIFICATIONS

- INPUT FREQUENCY: 0.7 TO 1.30 GHz
- DYNAMIC RANGE: 77 dB
- LOG VIDEO OUTPUT:
 - SLOPE FIXED BETWEEN 10 AND 40 mV/dB
 - LOG SLOPE VARIATION WITH FREQUENCY ± 0.5 mV/dB OVER 100 MHz SUBBAND
 - LOG SLOPE VARIATION WITH TEMPERATURE ± 1 mV/dB OVER OPERATING TEMPERATURE
 - INSTANTANEOUS LOG SLOPE $\pm 25\%$ WITHIN DYNAMIC RANGE
 - VIDEO OUTPUT IMPEDANCE 100Ω
 - VIDEO BANDWIDTH 20 MHz MINIMUM
- INPUT LEVEL: -70 dBm TO +8 dBm
- OPERATING TEMPERATURE: 0°C TO 85°C
- LOG ERROR (LINEARITY) ± 1.5 dB FROM BEST FIT LINE OVER DYNAMIC RANGE.
- SUPPLY: -5V @ 250 mA MAXIMUM,
+5V @ 100 mA MAXIMUM
- NOISE FIGURE: ≤ 8 dB
- LIMITED IF OUTPUT: -20 dBm MINIMUM FOR INPUT LEVELS
 ≥ -60 dBm, 50 OHMS
- SIZE 0.500" x 0.400" x 0.090"
- WEIGHT: 0.2 OUNCES

PIN 1 IDENTIFIER




ENVIRONMENTAL RATINGS

- TEMPERATURE -0°C TO +85°C (OPERATING)
-65°C TO +100°C (STORAGE)
- HUMIDITY MIL-STD-202F, METHOD 103B CONDITION B
- SHOCK MIL-STD-202F, METHOD 213B CONDITION B
- VIBRATION MIL-STD-202F, METHOD 204D CONDITION B
- ALTITUDE MIL-STD-202F, METHOD 105C CONDITION B
- TEMPERATURE CYCLE MIL-STD-202F, METHOD 107D CONDITION A

ALL DIMENSIONS ARE IN INCHES

TOLERANCES:
X.XX ± 0.020
X.XXX ± 0.010

NOTE: SPECIFICATIONS WILL VARY OVER OPERATING TEMPERATURE
NOTE: THE ABOVE SPECIFICATIONS ARE SUBJECT TO CHANGE OR REVISION

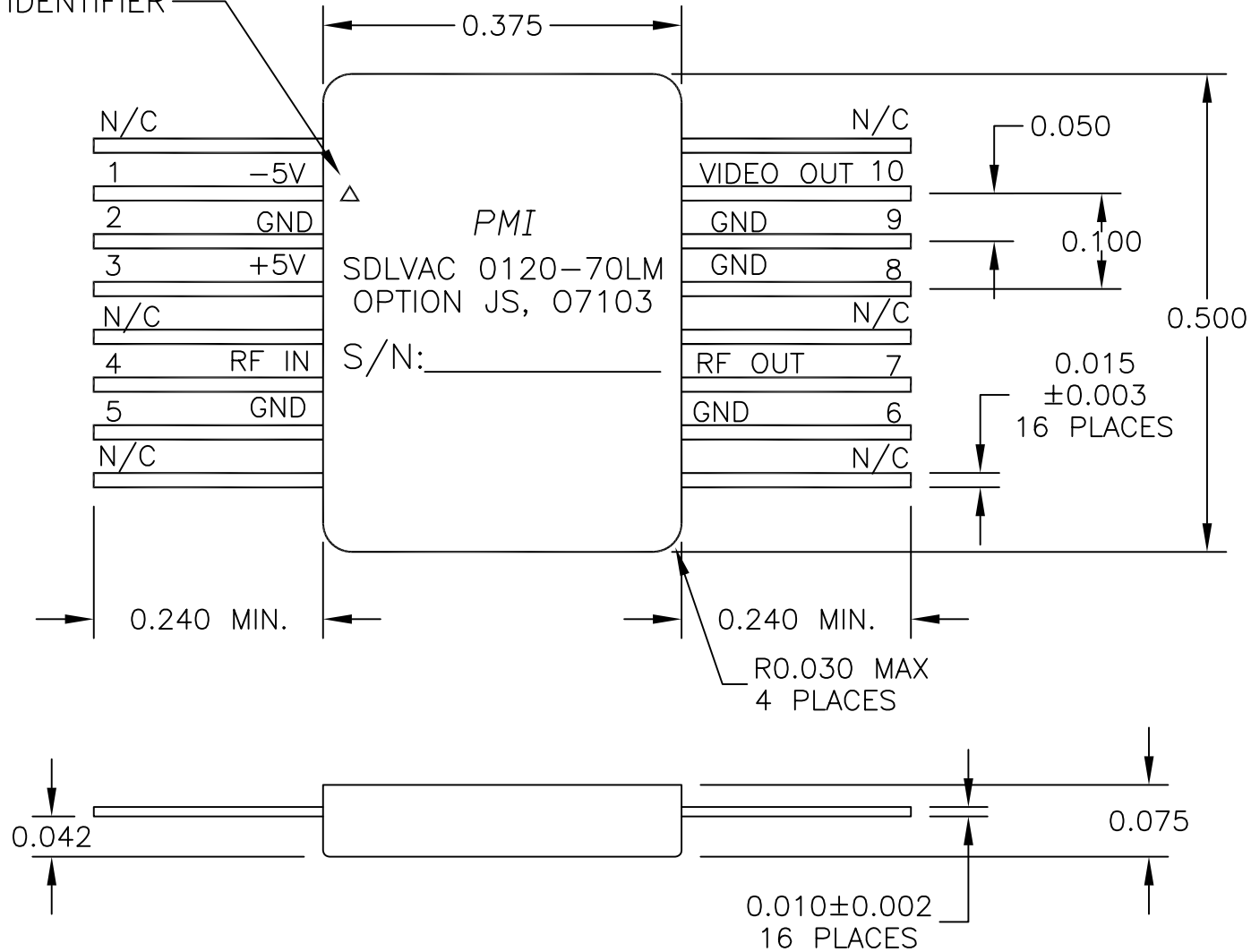
PART NO.		 PLANAR MONOLITHICS INDUSTRIES FREDERICK, MARYLAND	
APPROVALS	DATE	TITLE	
DRAWN <i>JDJ</i>	05/02/02	PRODUCT FEATURE SDLVAC-0120-70LM OPTION: JS, 07103	
REDRAWN <i>JDJ</i>	8/10/04	0.7 TO 1.30 GHz SUCCESSIVE DETECTOR LOG VIDEO AMPLIFIER	
ISSUED		SIZE A	FSCM NO. OZXZ8
		DWG NO. 100-4871	REV. -
SCALE N/A		SHEET 1 OF 3	

DESCRIPTION


THE MODEL SDLVAC-0120-70LM OPTION JS, OPTION 0713 IS A MINIATURE SUCCESSIVE DETECTION LOG VIDEO AMPLIFIER (SDLVA), IT OPERATES OVER THE 700 MHz TO 1.3 GHz RANGE USING 2 (TWO) HYBRID MIC/MMIC CHIPS OF OUR EXISTING SDLVAC-0120-70M UNITS.

REVISIONS				
ZONE	REV.	DESCRIPTION	DATE	APPROVED
	-	ORIGINAL JOB# 01045P	05/02/02	

PIN 1 IDENTIFIER



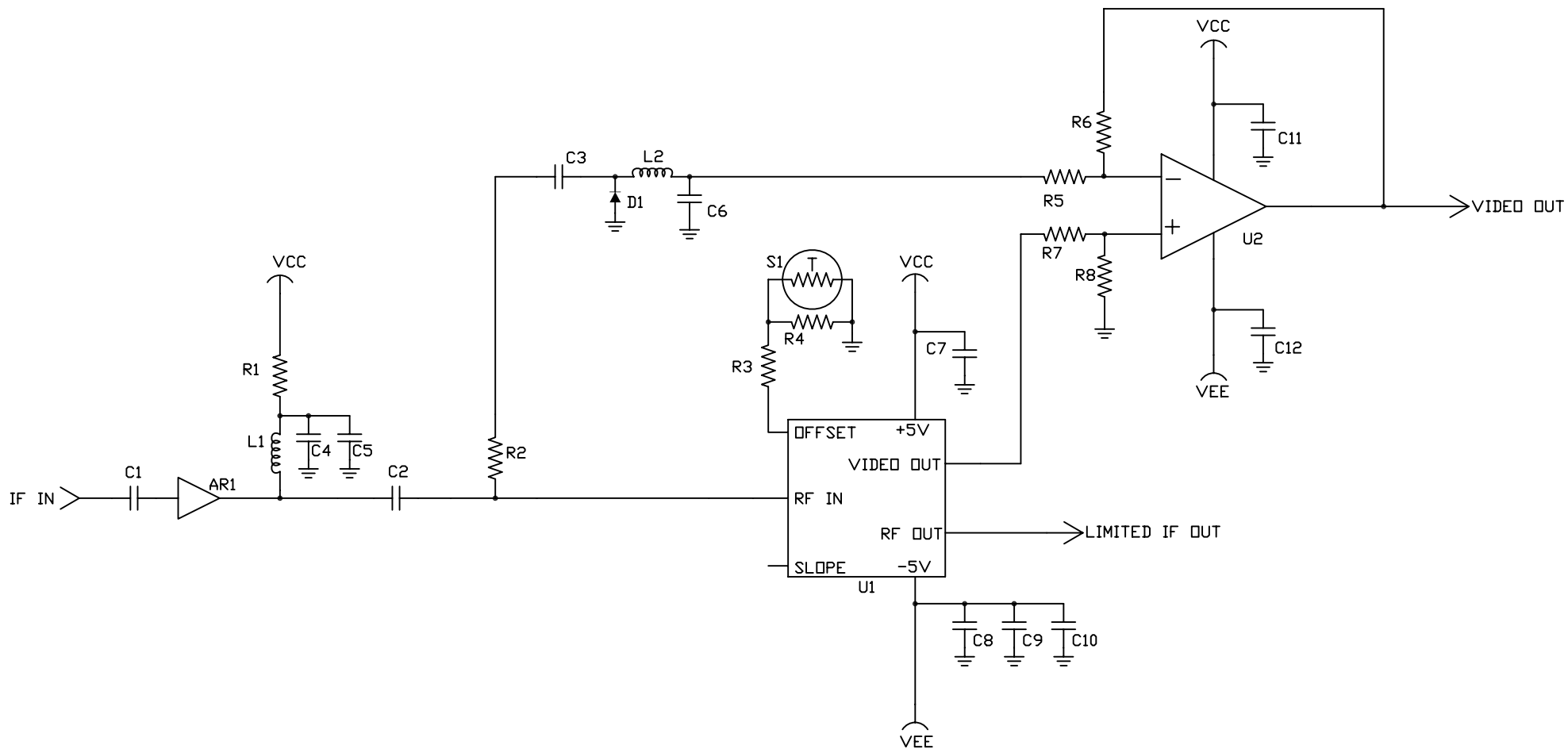
ALL DIMENSIONS ARE IN INCHES
 TOLERANCES:
 X.XX ±0.020
 X.XXX ±0.010

PART NO.		 PLANAR MONOLITHICS INDUSTRIES FREDERICK, MARYLAND	
APPROVALS	DATE	TITLE	
DRAWN <i>JDJ</i>	05/02/02	OUTLINE DRAWING SDLVAC-0120-70LM OPTION: JS, 07103	
REDRAWN <i>JDJ</i>	8/10/04	0.7 TO 1.30 GHz SUCCESSIVE DETECTOR LOG VIDEO AMPLIFIER	
ISSUED		SIZE A	FSCM NO. 0ZXZ8
		DWG NO. 100-4871	REV. -
SCALE N/A		SHEET 2 OF 3	


DESCRIPTION

THE MODEL SDLVAC-0120-70LM OPTION JS, OPTION 0713 IS A MINIATURE SUCCESSIVE DETECTION LOG VIDEO AMPLIFIER (SDLVA), IT OPERATES OVER THE 700 MHz TO 1.3 GHz RANGE USING 2 (TWO) HYBRID MIC/MMIC CHIPS OF OUR EXISTING SDLVAC-0120-70M UNITS.

REVISIONS				
ZONE	REV.	DESCRIPTION	DATE	APPROVED
	-	ORIGINAL JOB# 01045P CUSTOMER: LOCKHEED MARTIN	05/02/02	



CONFIDENTIAL AND PROPRIETARY

PART NO.		 PLANAR MONOLITHICS INDUSTRIES FREDERICK, MARYLAND	
APPROVALS	DATE	TITLE	
DRAWN <i>JDJ</i>	05/02/02	FUNCTIONAL SCHEMATIC SDLVAC-0120-70LM OPTION: JS, 07103	
REDRAWN <i>JDJ</i>	8/10/04	0.7 TO 1.30 GHz SUCCESSIVE DETECTOR LOG VIDEO AMPLIFIER	
ISSUED		SIZE A	FSCM NO. 0ZXZ8
		DWG NO. 100-4871	REV. -
SCALE N/A		SHEET 3 OF 3	