

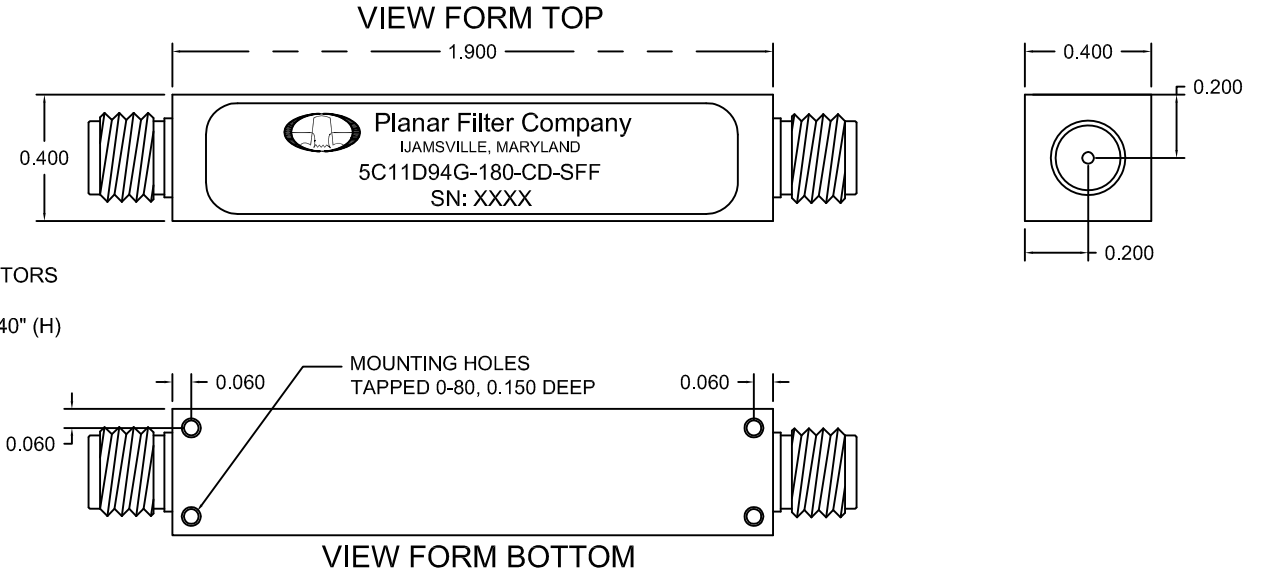
**DESCRIPTION:**

PFC model number 5C11D94G-180-CD-SFF is a Combine filter with SMA female connectors in and out. All filters will be machined and silver plated to provide the highest possible Q.

REVISIONS				
ZONE	REV.	DESCRIPTION	DATE	APPROVED
	-	ORIGINAL RELEASE	01/16/02	
	A	Change specs.	2/5/02	

**SPECIFICATIONS:**

- CENTER FREQUENCY: . . . . . 11940 MHz
- 3dB BANDWIDTH: . . . . . 180 MHz
- VSWR IN THE PASS BAND: . . . . . 1.5:1 MAX.
- INSERTION LOSS (PASSBAND) . . . . . <= 2dB MAX.
- REJECTION: . . . . . 5 POLE RESPONSE
- CONNECTORS: . . . . . SMA FEMALE CONNECTORS
- SIZE . . . . . 1.90" (L) x 0.40" (W) x 0.40" (H)
- WEIGHT . . . . . 1 OZ. TYP.



**ENVIRONMENTAL RATINGS:**

- TEMPERATURE: . . . . . -55°C TO +85°C (OPERATING)  
 -65°C TO +125°C (STORAGE)
- HUMIDITY: . . . . . MIL-STD-202F, METHOD 103B COND. B
- SHOCK: . . . . . MIL-STD-202F, METHOD 213B COND. B
- VIBRATION: . . . . . MIL-STD-202F, METHOD 204D COND. B
- ALTITUDE: . . . . . MIL-STD-202F, METHOD 105C COND. B
- SALT FOG: . . . . . MIL-STD-202F, METHOD 107D COND. A
- FUNGUS: . . . . . MIL-STD-810C, METHOD 508.2
- TEMPERATURE CYCLE: . . . . . MIL-STD-202F, METHOD 107

NOTE: THE ABOVE SPECIFICATIONS ARE SUBJECT TO CHANGE OR REVISION

ALL DIMENSIONS ARE IN INCHES  
 TOLERANCES:  
 X.XX ±0.010  
 X.XXX ±0.005

**CONFIDENTIAL AND PROPRIETARY**

PART NO. 155-1122		Planar Filter Company 7311G Grove Road, Fredrick, Maryland	
APPROVALS	DATE	TITLE	
DRAWN <i>RAB</i>	01/16/02	PRODUCT FEATURE 5C11D94G-180-CD-SFF	
CHECKED		SIZE	FSCM NO.
ISSUED		A	1QJWO
		DWG NO.	155-1122
		SCALE	N/S
		REV.	A
		SHEET 1 of 1	