

## DESCRIPTION

PMI MODEL P2T-500M18G-80-T-515-SFF-4W-ST-HERM IS AN ABSORPTIVE, SINGLE POLE, TWO THROW PIN DIODE SWITCH THAT OPERATES OVER THE 0.5 GHZ TO 18 GHZ FREQUENCY RANGE. THIS MODEL INCORPORATES A TTL COMPATIBLE DRIVER FOR EASY SYSTEM INTEGRATION AND IS SUPPLIED IN A HERMETICALLY SEALED HOUSING.

## SPECIFICATIONS

- FREQUENCY RANGE: ----- 0.5 TO 18 GHz
- ISOLATION: ----- 70 dB MINIMUM
- INSERTION LOSS: ----- 3.5 dB TYPICAL
- VSWR IN/OUT: ----- 2.0:1 MAXIMUM
- INPUT POWER: ----- 4 WATTS CW MAXIMUM
- INPUT PEAK POWER: ----- 20 WATTS MAXIMUM, 50 ns PULSE WIDTH, 2 MHz PRF WITH A 10% DUTY CYCLE
- SWITCHING SPEED: ----- 60 ns MAXIMUM
- DC VOLTAGE: ----- +5 V @ 150 mA  
-15 V @ 150 mA
- CONTROL SIGNAL: ----- TTL LOGIC  
SEE LOGIC TABLE
- CONNECTORS: ----- RF: SMA FEMALE  
CONTROL: SOLDER PINS
- SIZE: ----- 25.40 mm x 25.40 mm x 10.16 mm  
1.00" x 1.00" x 0.40"  
EXCLUDING CONNECTORS
- SEALING: ----- HERMETIC
- FINISH: ----- PAINTED BLUE - MOUNTING SURFACE FREE OF PAINT

### LOGIC TABLE

CTL1	FUNCTION
1	J1 - J2
0	J1 - J3

## ENVIRONMENTAL RATINGS

- TEMPERATURE: ----- -40 °C TO +85 °C (OPERATING)  
-55 °C TO +125 °C (STORAGE)
- HUMIDITY: ----- MIL-STD-202, METHOD 103B COND. B
- SHOCK: ----- MIL-STD-202, METHOD 213B COND. B
- VIBRATION: ----- MIL-STD-202, METHOD 204D COND. B
- ALTITUDE: ----- MIL-STD-202, METHOD 105C COND. B
- TEMPERATURE CYCLE: ----- MIL-STD-202, METHOD 107D COND. A

NOTE: SPECIFICATIONS WILL VARY OVER OPERATING TEMPERATURE

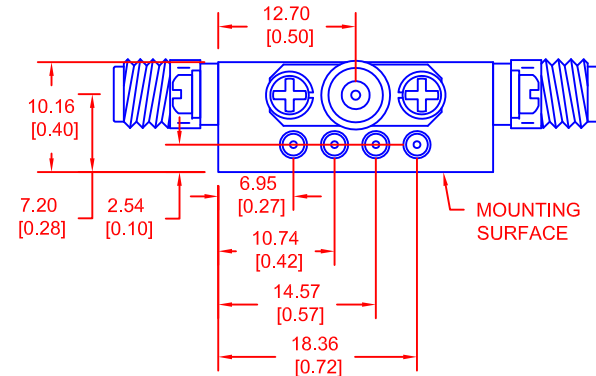
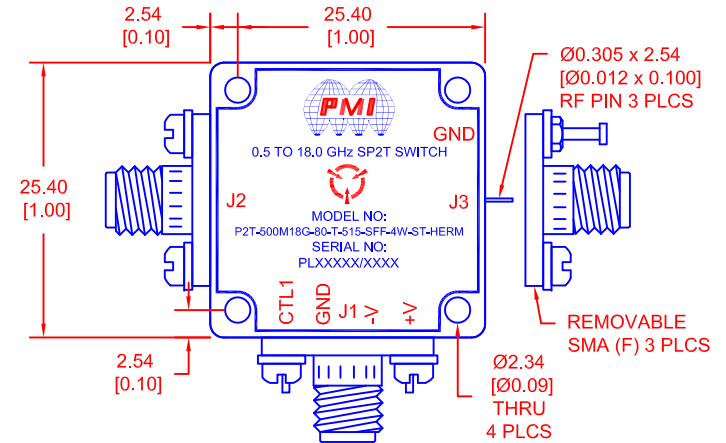
NOTE: THE ABOVE SPECIFICATIONS ARE SUBJECT TO CHANGE OR REVISION

**PMI CONFIDENTIAL AND PROPRIETARY**

ALL DIMENSIONS  
ARE IN mm [INCH]  
TOLERANCES:  
X.XX ±0.508 [0.020]  
X.XXX ±0.254 [0.010]

REVISIONS				
ZONE	REV.	DESCRIPTION	DATE	APPROVED
	-	PRELIMINARY	10/4/19	

## MECHANICAL OUTLINE



**PLANAR MONOLITHICS INDUSTRIES, INC.**  
7311-F GROVE ROAD  
FREDERICK, MARYLAND 21704 USA  
TEL: (301)-662-5019, FAX: (301)-662-1731  
WEB: [www.pmi-rf.com](http://www.pmi-rf.com), EMAIL: [sales@pmi-rf.com](mailto:sales@pmi-rf.com)  
ISO 9001 CERTIFIED



APPROVALS		DATE	TITLE			
DRAWN <i>M. Berry</i>		07/14/16	PRODUCT FEATURE			
REDRAWN <i>EW</i>		10/4/19	P2T-500M18G-80-T-515-SFF-4W-ST-HERM			
ISSUED			SIZE	FSCM NO.	DWG NO.	REV.
			A	05XQ0	PRELIMINARY	-
			SCALE	N:S	SHEET	1 OF 1