

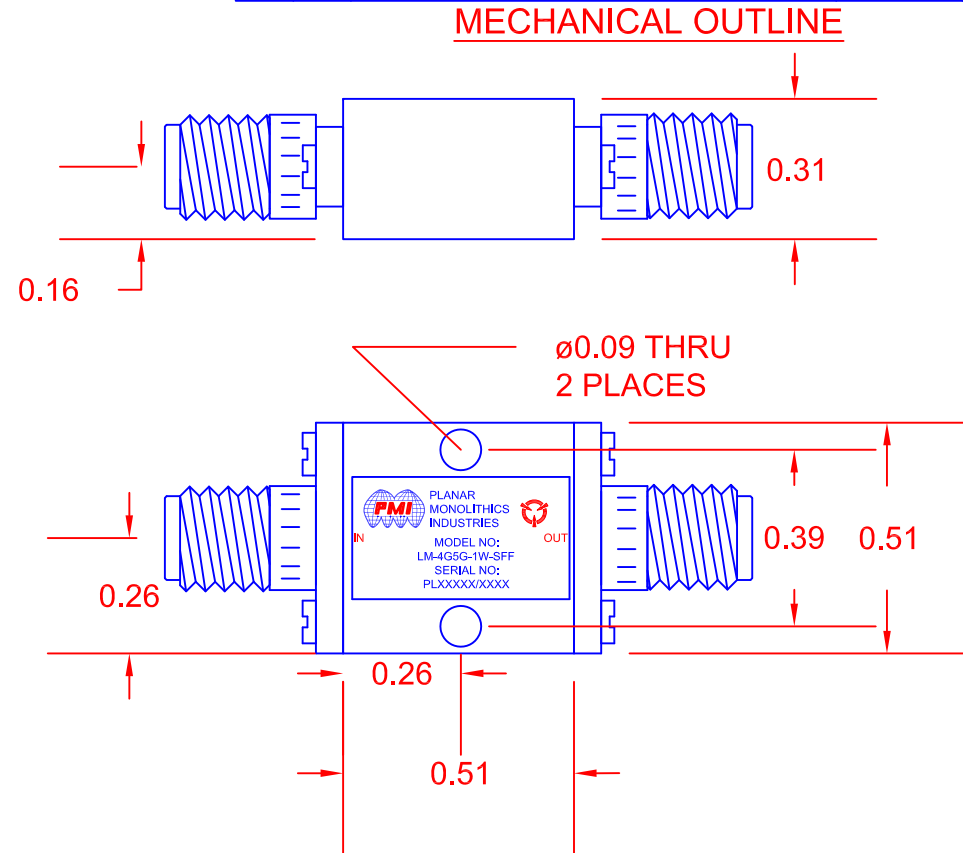
DESCRIPTION

PMI MODEL NO. LM-4G5G-1W-SFF IS A LIMITER THAT OPERATES OVER THE FREQUENCY RANGE OF 4.0 TO 5.0 GHz. IT HAS A MAXIMUM INSERTION LOSS OF 1 dB AND A MAXIMUM VSWR OF 1.5:1. THIS MODEL IS OUTFITTED WITH SMA FEMALE CONNECTORS.

REVISIONS				
ZONE	REV.	DESCRIPTION	DATE	APPROVED
	-	PRELIMINARY	11/15/2018	

SPECIFICATIONS

- FREQUENCY RANGE: ----- 4.0 TO 5.0 GHz
- INSERTION LOSS: ----- 1 dB MAX
- VSWR: ----- 1.5:1 MAX
- CW RF POWER: ----- 1 WATT MAX
- PEAK POWER (1 us PW 0.1% DC): ----- 1000 WATTS MAX
- LEAKAGE (CW) @ 1 WATT CW: ----- 15 dBm MAX
- CONNECTORS: ----- SMA FEMALE



ENVIRONMENTAL RATINGS

- TEMPERATURE: ----- -45 °C TO +85 °C (OPERATING)
----- -55 °C TO +125 °C (STORAGE)
- HUMIDITY: ----- 100% RH @ 35°C, 95% RH @ 40°C
- SHOCK: ----- 20 G FOR 11 msc
- VIBRATION: ----- 25 g rms (15° 2 KHz)

NOTE: SPECIFICATIONS WILL VARY OVER OPERATING TEMPERATURE
NOTE: THE ABOVE SPECIFICATIONS ARE SUBJECT TO CHANGE OR REVISION

PMI CONFIDENTIAL AND PROPRIETARY

ALL DIMENSIONS
ARE IN INCHES [mm]
TOLERANCES:
X,XX ±0.020
X,XXX ±0.010

PLANAR MONOLITHICS INDUSTRIES, INC.
7311-F GROVE ROAD
FREDERICK, MARYLAND 21704 USA
TEL: (301)-662-5019, FAX: (301)-662-1731
WEB: www.pmi-rf.com, EMAIL: sales@pmi-rf.com
ISO 9001 CERTIFIED



APPROVALS		DATE	TITLE			REV.
DRAWN <i>EW</i>		11/15/18	PRODUCT FEATURE LM-4G5G-1W-SFF			-
REDRAWN			SIZE	FSCM NO.	DWG NO.	
ISSUED			A	05XQ0	PRELIMINARY	
			SCALE	N:S	SHEET	1 OF 1