

DESCRIPTION

PMI MODEL P2T-1840-50-R-4W-292FF IS A REFLECTIVE, SINGLE POLE TWO THROW SWITCH THAT OPERATES OVER THE 18 TO 40 GHz FREQUENCY RANGE. THIS UNIT FEATURES LOW INSERTION LOSS WITH 4 WATT PEAK POWER HANDLING.

SPECIFICATIONS

- FREQUENCY:----- 18 TO 40 GHz
- INSERTION LOSS:----- 3 dB MAX
- ISOLATION:----- 50 dB MIN
- VSWR (In/Out):----- 2.0:1 MAX
- INPUT POWER (SURVIVAL):----- 4 W PEAK, 20%DC, 200 ns MAX
- SWITCHING SPEED:----- 50 ns MAX
- LOGIC CONTROL:----- +5V TTL
- DC SUPPLY:----- +5V TO +15V @ 65 mA MAX
-5V TO -15V @ 65 mA MAX
- CONNECTORS:----- 2.92 mm (F)
- FINISH:----- PAINTED BLUE

TTL LOGIC CONTROL TABLE

| CTL1 | CTL2 | FUNCTION |
|------|------|----------------------------|
| 0 | 1 | J0 TO J1 ON, J0 TO J2 OFF |
| 1 | 0 | J0 TO J1 OFF, J0 TO J2 ON |
| 1 | 1 | J0 TO J1 OFF, J0 TO J2 OFF |

ENVIRONMENTAL RATINGS

- TEMPERATURE:----- -40 °C TO +85 °C (OPERATING)
-55 °C TO +85 °C (STORAGE)
- HUMIDITY:----- MIL-STD-202, METHOD 103B COND. B
- SHOCK:----- MIL-STD-202, METHOD 213B COND. B
- VIBRATION:----- MIL-STD-202, METHOD 204D COND. B
- ALTITUDE:----- MIL-STD-202, METHOD 105C COND. B
- TEMPERATURE CYCLE:----- MIL-STD-202, METHOD 107D COND. A

NOTE: SPECIFICATIONS WILL VARY OVER OPERATING TEMPERATURE

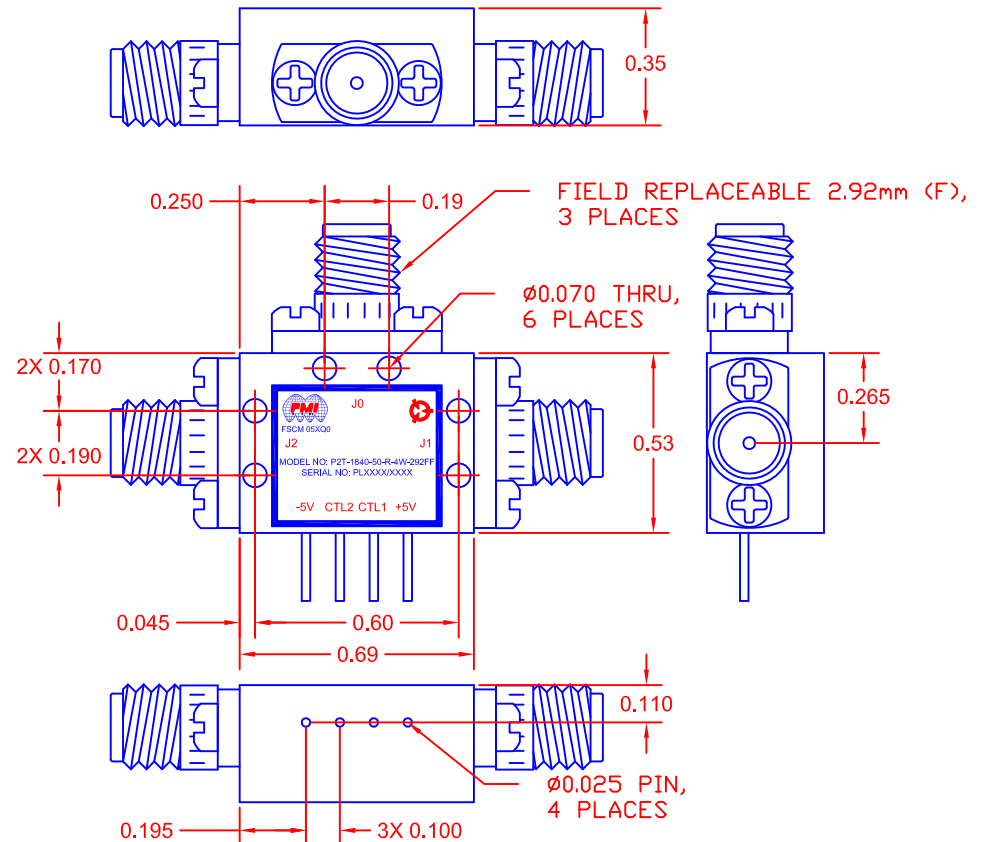
NOTE: THE ABOVE SPECIFICATIONS ARE SUBJECT TO CHANGE OR REVISION

PMI CONFIDENTIAL AND PROPRIETARY

ALL DIMENSIONS ARE IN INCHES
TOLERANCES:
X.XX ±0.020
X.XXX ±0.010

| REVISIONS | | | | |
|-----------|------|-------------|--------|----------|
| ZONE | REV. | DESCRIPTION | DATE | APPROVED |
| | 1 | PRELIMINARY | 9/8/21 | |
| | | | | |
| | | | | |

MECHANICAL OUTLINE



PLANAR MONOLITHICS INDUSTRIES, INC.
7311-F GROVE ROAD
FREDERICK, MARYLAND 21704 USA
TEL: (301)-662-5019, FAX: (301)-662-1731
WEB: www.pmi-rf.com, EMAIL: sales@pmi-rf.com
ISO 9001 CERTIFIED



| APPROVALS | | DATE | TITLE | | |
|---------------------|--|--------|---|-------------------|------------------------|
| DRAWN <i>DPD</i> | | 9/8/21 | PRODUCT FEATURE P2T-1840-50-R-4W-292FF | | |
| CHECKED | | | SIZE A | FSCM NO. 05XQ0 | DWG NO. PRELIMINARY |
| ISSUED | | | SCALE N:S | | SHEET 1 OF 1 |