

8 7 6 5 4 3 2 1

| REVISIONS |      |                  |        |          |
|-----------|------|------------------|--------|----------|
| ZONE      | REV. | DESCRIPTION      | DATE   | APPROVED |
| -         | -    | ORIGINAL RELEASE | 2/1/08 |          |

**Description:**

Low Noise Amplifier designed for Military and Industrial applications. This amplifier is supplied in our standard PE2 housing that can be used as a SMA connectorized or a surface mount component. Other packages and connector types are available.

This model provides the following performance. Data is available upon request.

**Specifications:**

|                    |                |
|--------------------|----------------|
| Frequency Range:   | 2.0 to 6.0 GHz |
| Gain:              | 45dB Typ.      |
| Gain Flatness:     | +/-1.25dB Max. |
| Noise Figure:      | 4.0dB Typ.     |
| OP1dB:             | 20dBm Min.     |
| VSWR Input/Output: | 2.0:1 Max.     |
| DC Voltage Supply: | +12 to +15VDC  |
| DC Current Draw:   | 385mA Max.     |

**Features:**

- Internal Voltage Regulation
- Unconditional Stability
- Standard Operating Temperature -20 to +70 Deg. C

**Available Options:**

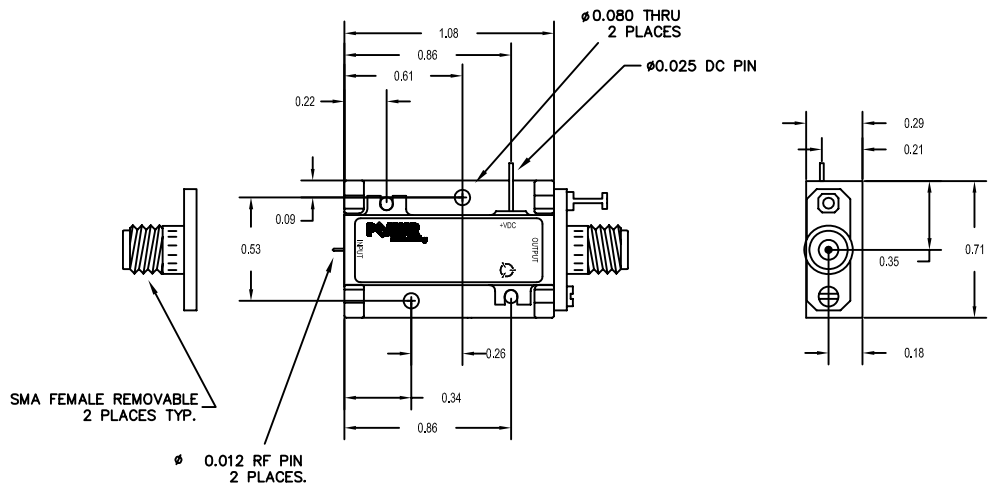
- Various Package types
- Various Connector types
- Temperature Compensation
- Hermetic Sealing
- Gain and Phase Matching
- MIL-STD-883 Screening Available

**Environmental Ratings:**

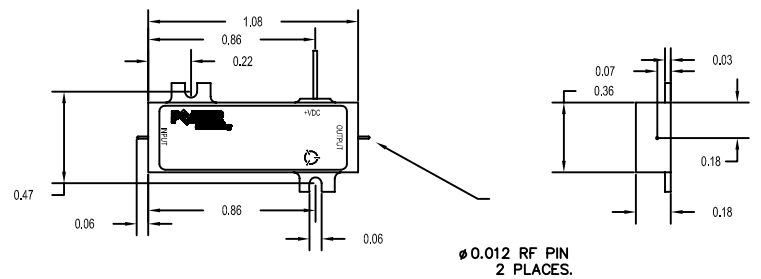
|                    |   |
|--------------------|---|
| Temperature:       | -20 to +70 Deg. C (Operating) ; -55 to +85 Deg C Available) |
|                    | -55 to +125 Deg. C (Storage)                                |
| Humidity:          | MIL-STD-202F, METHOD 103B COND B.                           |
| Shock:             | MIL-STD-202F, METHOD 213B COND B.                           |
| Altitude:          | MIL-STD-202F, METHOD 105C COND B.                           |
| Temperature Cycle: | MIL-STD-202F, METHOD 107D COND A                            |

Note: The above specifications are subject to change or revision.

**PE2 HOUSING WITH CARRIER**



**PE2 HOUSING WITHOUT CARRIER (SURFACE MOUNT)**



UNLESS OTHERWISE SPECIFIED DIMENSIONS ARE IN INCHES TOLERANCES ARE: FRACTIONS DECIMALS ANGLES ± .XX ± 0.010 ± .XXX ± 0.005

|                                   |                  |         |   |
|-----------------------------------|------------------|---------|---|
| MATERIAL:<br>6061-T6 Aluminum     | APPROVALS        | DATE    | 5715 Industry Lane, Unit 11<br>FREDERICK, MARYLAND      |
|                                   | DRAWN<br>K Mason | 2/21/08 |   |
| FINISH:<br>Gold Plate over Nickel | CHECKED          |         | TITLE<br>PRODUCT FEATURE<br>PE2-45-2R06R0-4R0-22-12-SFF |
|                                   | DRAWN            |         |   |
| DO NOT SCALE DRAWING              | SIZE             | SCALE   | SHEET 1 OF 1<br>REV. A<br>WEB - MODEL                   |

8 7 6 5 4 3 2 1