

DESCRIPTION

PMI MODEL P2T-500M4G-70-T-515-SFF-23DBM-ST-MVG IS AN ABSORPTIVE, SINGLE POLE, TWO THROW PIN DIODE SWITCH THAT OPERATES OVER THE 0.5 GHZ TO 4 GHZ FREQUENCY RANGE. THIS MODEL INCORPORATES A TTL COMPATIBLE DRIVER FOR EASY SYSTEM INTEGRATION.

SPECIFICATIONS

- FREQUENCY RANGE: ----- 0.5 TO 4 GHz
- ISOLATION: ----- 70 dB MINIMUM
- INSERTION LOSS: ----- 1.5 dB MAXIMUM
- VSWR IN/OUT: ----- 1.2:1 MAXIMUM
- INPUT POWER: ----- 23dBm CW MINIMUM - HOT SWITCHING
- SWITCHING SPEED: ----- 60 ns MAXIMUM
- DC VOLTAGE: ----- +5 V @ 150 mA
-15 V @ 150 mA
- CONTROL SIGNAL: ----- TTL LOGIC
SEE LOGIC TABLE
- CONNECTORS: ----- RF: SMA FEMALE
CONTROL: SOLDER PINS
- SIZE: ----- 25.40 mm x 25.40 mm x 10.16 mm
1.00" x 1.00" x 0.40"
EXCLUDING CONNECTORS
- FINISH: ----- PAINTED BLUE

LOGIC TABLE	
CTL1	FUNCTION
1	J1 - J2
0	J1 - J3

ENVIRONMENTAL RATINGS

- TEMPERATURE: ----- -40 °C TO +85 °C (OPERATING)
-55 °C TO +125 °C (STORAGE)
- HUMIDITY: ----- MIL-STD-202, METHOD 103B COND. B
- SHOCK: ----- MIL-STD-202, METHOD 213B COND. B
- VIBRATION: ----- MIL-STD-202, METHOD 204D COND. B
- ALTITUDE: ----- MIL-STD-202, METHOD 105C COND. B
- TEMPERATURE CYCLE: ----- MIL-STD-202, METHOD 107D COND. A

NOTE: SPECIFICATIONS WILL VARY OVER OPERATING TEMPERATURE

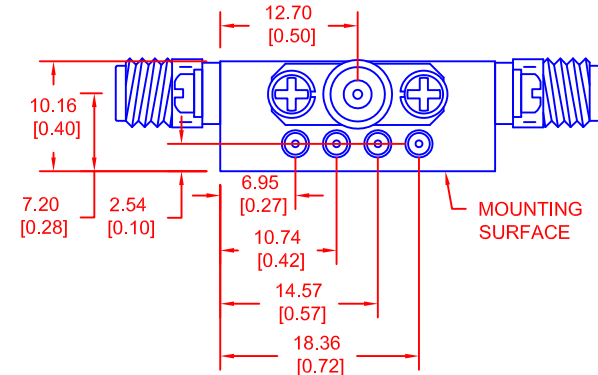
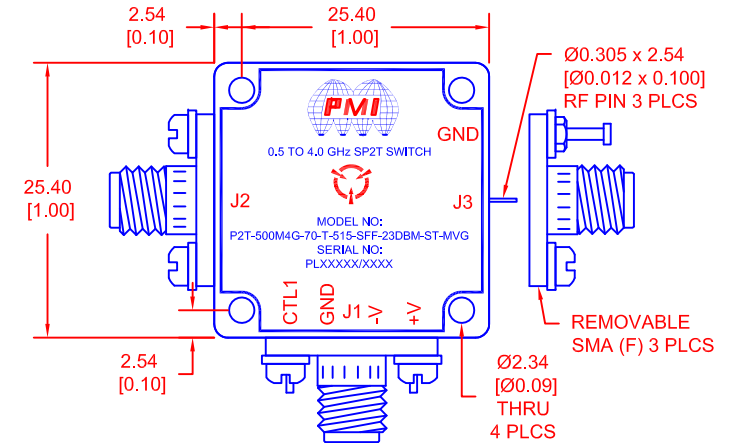
NOTE: THE ABOVE SPECIFICATIONS ARE SUBJECT TO CHANGE OR REVISION

PMI CONFIDENTIAL AND PROPRIETARY

ALL DIMENSIONS
ARE IN mm [INCH]
TOLERANCES:
X.XX ±0.508 [0.020]
X.XXX ±0.254 [0.010]

REVISIONS				
ZONE	REV.	DESCRIPTION	DATE	APPROVED
	-	PRELIMINARY	2/26/20	
	1	SPEC UPDATES	4/9/20	

MECHANICAL OUTLINE



PLANAR MONOLITHICS INDUSTRIES, INC.
7311-F GROVE ROAD
FREDERICK, MARYLAND 21704 USA
TEL: (301)-662-5019, FAX: (301)-662-1731
WEB: www.pmi-rf.com, EMAIL: sales@pmi-rf.com
ISO 9001 CERTIFIED



APPROVALS		DATE	TITLE		
DRAWN <i>JPH</i>		2/26/20	PRODUCT FEATURE		
CHECKED			P2T-500M4G-70-T-515-SFF-23DBM-ST-MVG		
ISSUED			0.5 to 4.0 GHz Single Pole, Two Throw Pin Diode Switch		
SIZE	FSCM NO.	DWG NO.	REV.		
A	05XQ0		1	PRELIMINARY	
SCALE	N:S		SHEET	1 OF 1	