

REVISIONS				
ZONE	REV.	DESCRIPTION	DATE	APPROVED
	1	PRELIMINARY	12/10/15	

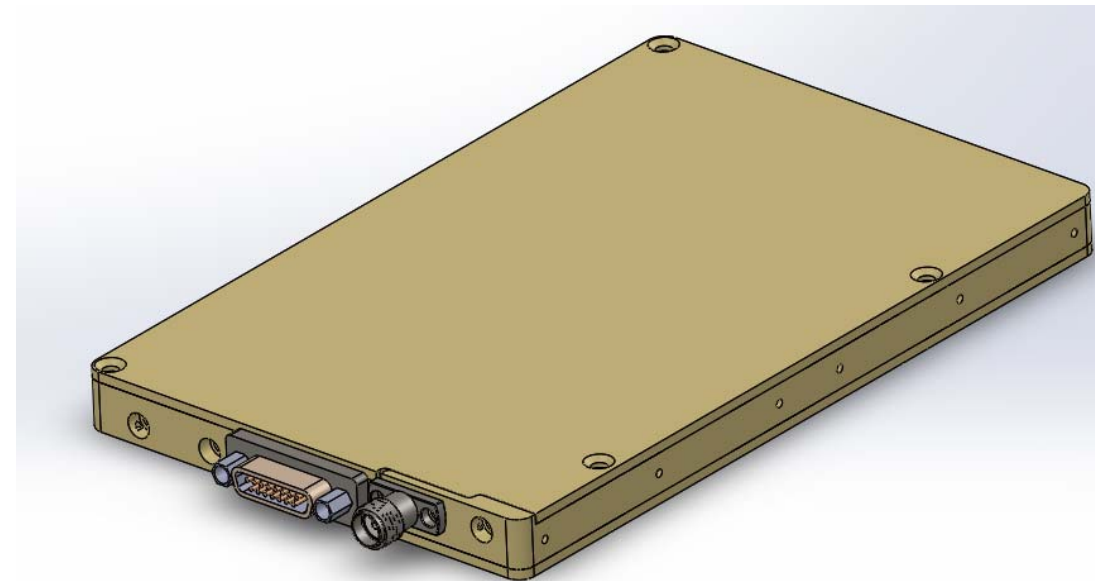
DESCRIPTION:

PMI MODEL NUMBER 6SFB-HF-CC-100M18G-MAH-RX-TX IS AN INTEGRATED MODULE CONTAINING TWO 5-CHANNEL SWITCHED FILTER BANKS COVERING 100 MHz TO 18 GHz. A LOSSLESS RECEIVE SWITCHED FILTER BANK AND A LOSSLESS TRANSMIT SWITCHED FILTER BANK ALLOW 1 OF 5 FILTER PATHS TO BE CHOSEN. BOTH FILTER BANKS CAN BE USED SIMULTANEOUSLY IN DIFFERENT BANDS. THE UNIT MEASURES ONLY 4.80" X 3.08" X 0.365".

SPECIFICATIONS:

- **INPUTS:**..... J1, J5
- J1 INPUT:..... RF RECEIVE INPUT
 FREQUENCY:..... 100 MHz TO 18.0 GHz
 POWER LEVEL:..... -62 dBm TO +8 dBm
- J5 INPUT:..... RF TRANSMIT INPUT
 FREQUENCY:..... 100 MHz TO 18.0 GHz
 POWER LEVEL:..... -15 dBm TO -20 dBm TYPICAL
- **OUTPUTS:**..... J2, J6
- J2 OUTPUT:..... RF RECEIVE OUTPUT
 FREQUENCY:..... 100 MHz TO 18.0 GHz
 POWER LEVEL:..... -62 dBm TO +8 dBm
- J6 OUTPUT:..... RF TRANSMIT OUTPUT
 FREQUENCY:..... 100 MHz TO 18.0 GHz
 POWER LEVEL:..... -15 dBm TO -20 dBm TYPICAL

- CONTROL LOGIC:..... TTL ('0': 0 - 0.8 VOLTS), ('1' 2 - 5 VOLTS)
- TTL 14:..... RECEIVE FILTER SELECT
 000..... THRU CHANNEL
 001..... CHANNEL 1
 010..... CHANNEL 2
 011..... CHANNEL 3
 100..... CHANNEL 4
 101..... NOT DEFINED
 110..... NOT DEFINED
 111..... NOT DEFINED
- TTL 15:..... TRANSMIT FILTER SELECT
 000..... THRU CHANNEL
 001..... CHANNEL 1
 010..... CHANNEL 2
 011..... CHANNEL 3
 100..... CHANNEL 4
 101..... NOT DEFINED
 110..... NOT DEFINED
 111..... NOT DEFINED
- POWER SUPPLIES:
 +12V:..... 600 mA MAX
 +5V:..... 550 mA MAX
 +3.3V:..... 0 mA *NOT NEEDED
 -12V:..... 300 mA MAX
- SIZE:..... 4.80" x 3.08" x 0.365"
- RF CONNECTORS:..... SMPM (F)
- FINISH:..... GOLD PLATED



RECEIVE SWITCHED FILTER BANK:

- GAIN:..... 0 dB TYPICAL

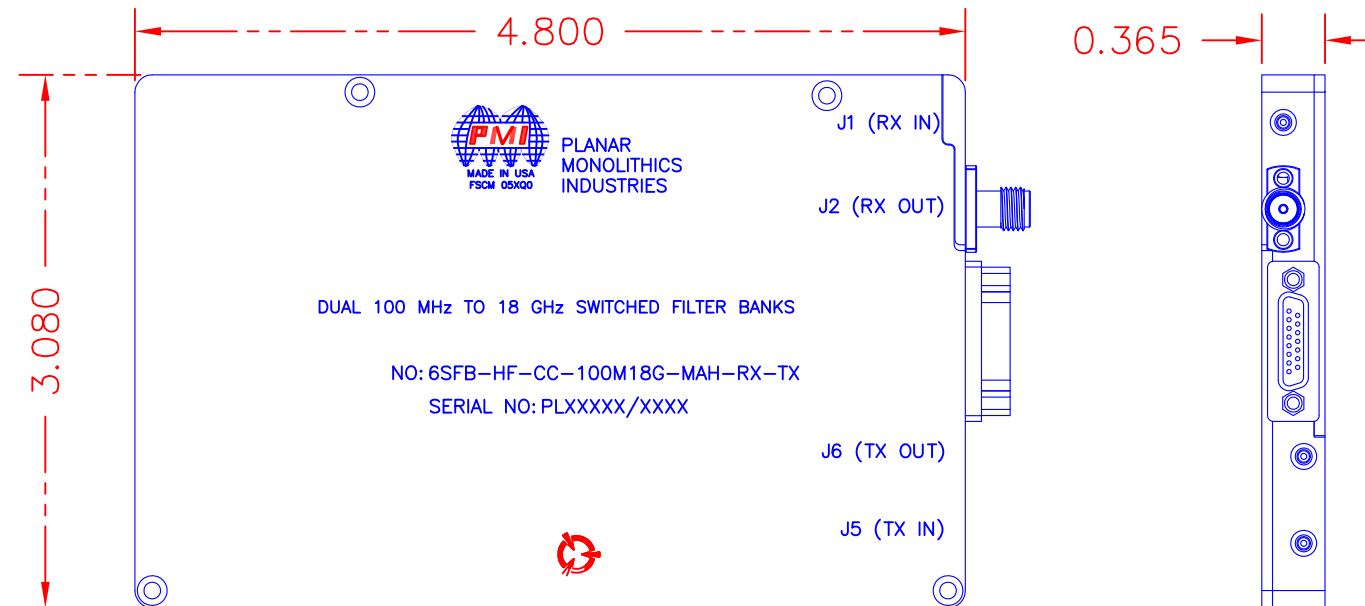
TRANSMIT SWITCHED FILTER BANK:

- GAIN:..... 0 dB TYPICAL

RECEIVE AND TRANSMIT SWITCHED FILTER BANKS:

- VSWR OVER 90% PASSBAND:..... 2 : 1 MAX
- SWITCHING SPEED:..... 100 ns TYPICAL
- THRU CHANNEL PASSBAND:..... 100 MHz TO 18 GHz
- CHANNEL 1 CUTOFF FREQUENCY:..... 2400 MHz
 3 dB BANDWIDTH:..... 100 MHz - 2400 MHz
 REJECTION:..... -40 dBc TYP 2.8 GHz - 18 GHz, -30 dBc MIN
- CHANNEL 2 CENTER FREQUENCY:..... 13400 MHz
 3 dB BANDWIDTH:..... 2000 MHz
 REJECTION:..... -40 dBc TYP 100 MHz - 12 GHz, -30 dBc MIN
 -40 dBc TYP 14.8 GHz - 18 GHz, -30 dBc MIN
- CHANNEL 3 CENTER FREQUENCY:..... 15400 MHz
 3 dB BANDWIDTH:..... 2000 MHz
 REJECTION:..... -40 dBc TYP 100 MHz - 14 GHz, -30 dBc MIN
 -40 dBc TYP 16.8 GHz - 18 GHz, -30 dBc MIN
- CHANNEL 4 CENTER FREQUENCY:..... 17200 MHz
 3 dB BANDWIDTH:..... 1600 MHz
 REJECTION:..... -40 dBc TYP 100 MHz - 16 GHz, -30 dBc MIN
 -40 dBc TYP 18.4 GHz - 20 GHz, -30 dBc MIN

PIN	FUNCTION
1	NC
2	TTL14A (LSB)
3	TTL14B
4	TTL14C
5	TTL15A (LSB)
6	TTL15B
7	TTL15C
8	GND
9	+12V
10	GND
11	+5V
12	GND
13	+3.3V
14	GND
15	-12V



NOTE: THE ABOVE SPECIFICATIONS ARE SUBJECT TO CHANGE OR REVISION

PMI CONFIDENTIAL AND PROPRIETARY

ALL DIMENSIONS ARE IN INCHES
 TOLERANCES:
 X.XX ±0.020
 X.XXX ±0.010

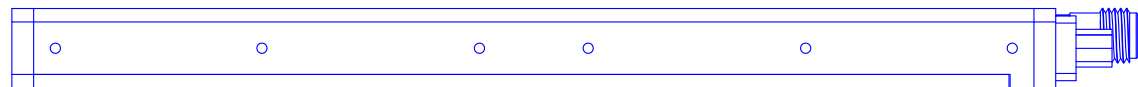
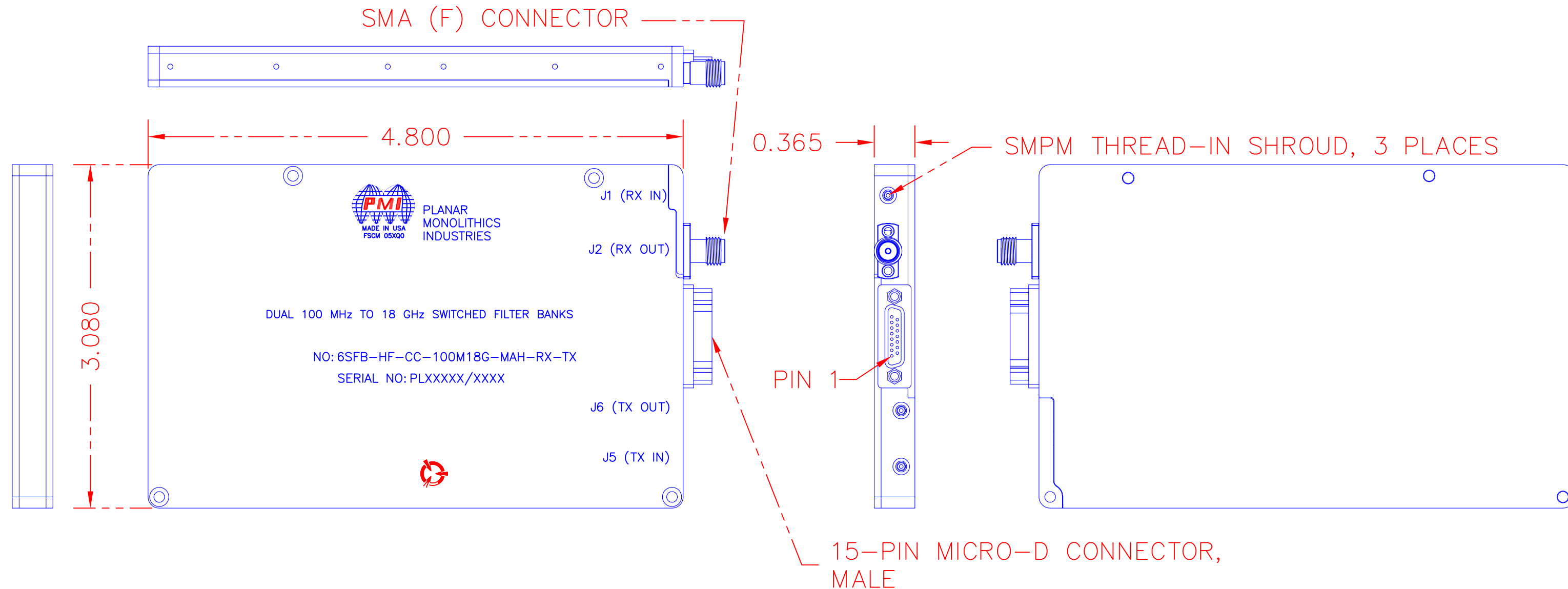
PLANAR MONOLITHICS INDUSTRIES, INC.
 7311-F GROVE ROAD
 FREDERICK, MARYLAND 21704 USA
 TEL: 301-662-5019 FAX: 301-662-1731
 WEBSITE: www.pmi-rf.com
 E-MAIL: sales@pmi-rf.com
 ISO 9001 CERTIFIED



APPROVALS		DATE	TITLE	
DRAWN <i>JNR</i>		12/10/19	PRODUCT FEATURE	
CHECKED			6SFB-HF-CC-100M18G-MAH-RX-TX	
ISSUED			SIZE B	FSCM NO. 05XQ0
			DWG NO.	PRELIMINARY
			SCALE N:S	REV. 1
			SHEET	1 OF 3

MECHANICAL OUTLINE:

REVISIONS				
ZONE	REV.	DESCRIPTION	DATE	APPROVED
	1	PRELIMINARY	12/10/15	



PMI CONFIDENTIAL AND PROPRIETARY
 ALL DIMENSIONS ARE IN INCHES
 TOLERANCES:
 X.XX ±0.020
 X.XXX ±0.010

PLANAR MONOLITHICS INDUSTRIES, INC.
 7311-F GROVE ROAD
 FREDERICK, MARYLAND 21704 USA
 TEL: 301-662-5019 FAX: 301-662-1731
 WEBSITE: www.pmi-rf.com
 E-MAIL: sales@pmi-rf.com
 ISO 9001 CERTIFIED

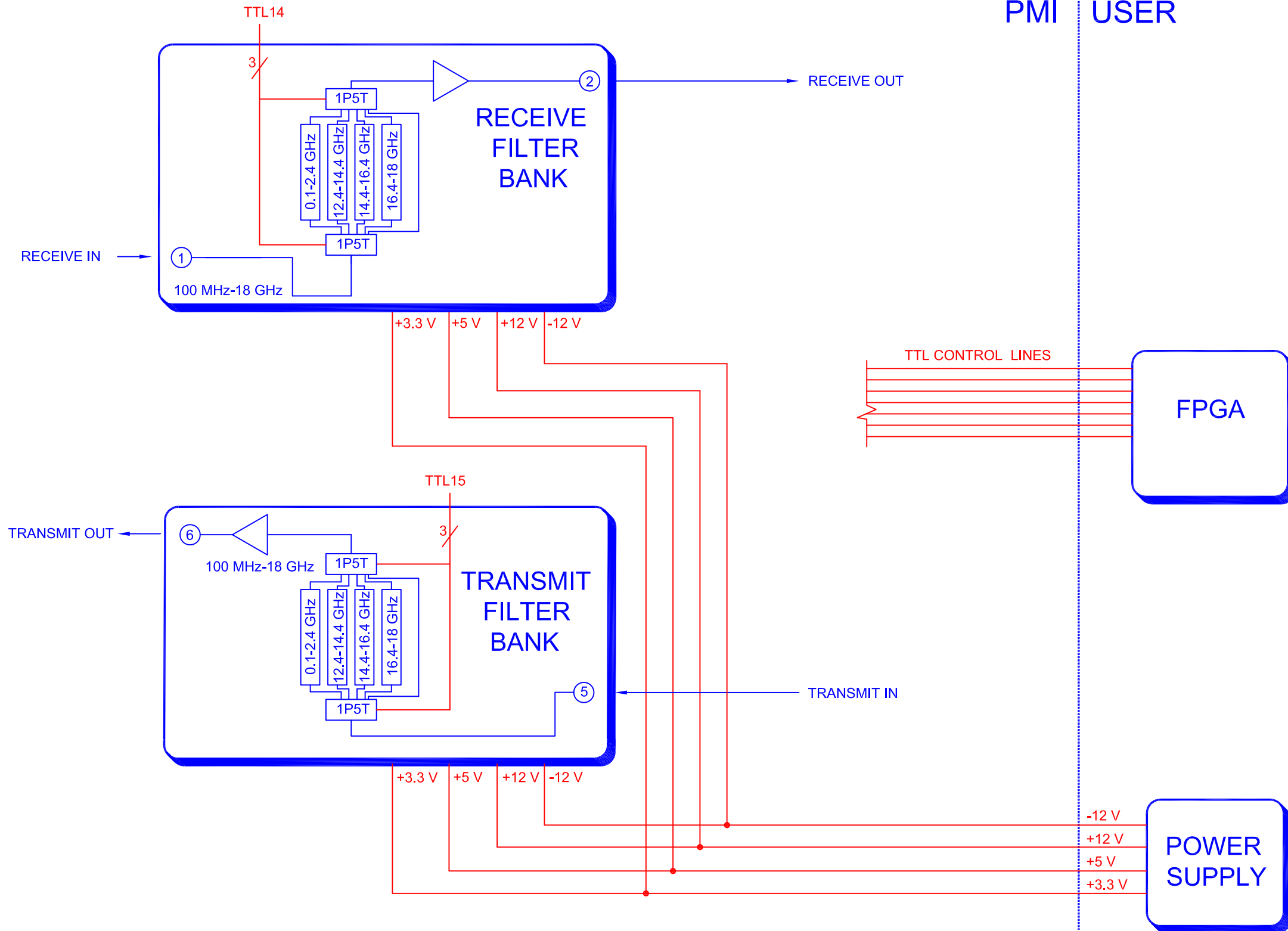


APPROVALS		DATE	TITLE		
DRAWN <i>JNR</i>		12/10/15	PRODUCT FEATURE		
CHECKED			6SFB-HF-CC-100M18G-MAH-RX-TX		
ISSUED			SIZE	FSCM NO.	DWG NO.
			B	05XQ0	PRELIMINARY
			SCALE	N:S	SHEET 2 OF 3
					REV. 1

REVISIONS				
ZONE	REV.	DESCRIPTION	DATE	APPROVED
	1	PRELIMINARY	12/10/15	

BLOCK DIAGRAM:

PMI USER



PLANAR MONOLITHICS INDUSTRIES, INC.
 7311-F GROVE ROAD
 FREDERICK, MARYLAND 21704 USA
 TEL: 301-662-5019 FAX: 301-662-1731
 WEBSITE: www.pmi-rf.com
 E-MAIL: sales@pmi-rf.com
 ISO 9001 CERTIFIED



ALL DIMENSIONS ARE IN INCHES
 TOLERANCES:
 X.XX ±0.020
 X.XXX ±0.010

PMI CONFIDENTIAL AND PROPRIETARY

APPROVALS		DATE	TITLE		
DRAWN	JNR	12/10/15	PRODUCT FEATURE		
CHECKED			6SF8-HF-CC-100M18G-MAH-RX-TX		
ISSUED			SIZE	FSCM NO.	DWG NO.
			B	05XQ0	PRELIMINARY
			SCALE	N:S	SHEET 3 OF 3
					REV. 1