

DESCRIPTION

PMI MODEL NUMBER: P1T-500M18G-80-T-SFF IS A SINGLE POLE, SINGLE THROW ABSORPTIVE SOLID STATE SWITCH THAT OPERATES OVER THE FREQUENCY RANGE OF 0.5 TO 18.0 GHz. THIS MODEL HAS A MAXIMUM INSERTION LOSS OF 3.5dB AND AN ISOLATION SPECIFICATION OF 80dB. THE TYPICAL SWITCHING SPEED IS 25 ns.

SPECIFICATIONS

- FREQUENCY RANGE: 0.5 TO 18.0 GHz
- INSERTION LOSS: 3.5 dB MAX
- ISOLATION: 80 dB TYP
- VSWR (IN/OUT): 2.0:1
- SWITCHING SPEED: 50% TTL TO 10%/90% RF
25 ns TYP
- INPUT POWER: +20dBm CW
- SURVIVAL POWER: 1 WATT CW, 10 WATTS PEAK, 1 us
- CONTROL: TTL LOGIC = "0" - ON, "1" - OFF
- POWER SUPPLY: +5VDC @ 70mA MAX
-5VDC @ 100mA MAX
- RF CONNECTORS: SMA FEMALE
- SIZE: (L) 1.0" X (W) 1.0" (H) 0.5"
- FINISH: GOLD PLATED

ENVIRONMENTAL RATINGS

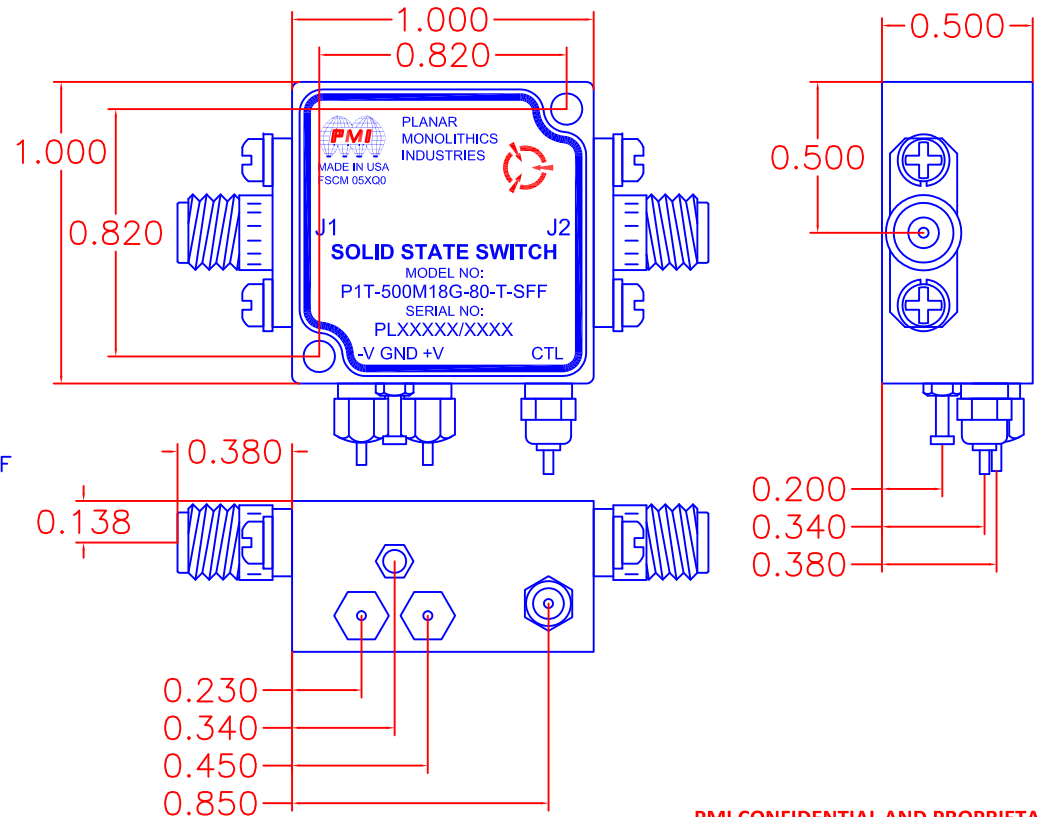
- TEMPERATURE: -40°C TO + 85°C (OPERATING)
-55°C TO +125°C (STORAGE)
- HUMIDITY: MIL-STD-202F, METHOD 103B COND. B
- SHOCK: MIL-STD-202F, METHOD 213B COND. B
- VIBRATION: MIL-STD-202F, METHOD 204D COND. B
- ALTITUDE: MIL-STD-202F, METHOD 105C COND. B
- TEMPERATURE CYCLE: MIL-STD-202F, METHOD 107D COND. A

ALL DIMENSIONS ARE IN INCHES
TOLERANCES:
X.XX ±0.020
X.XXX ±0.010

NOTE: SPECIFICATIONS WILL VARY OVER OPERATING TEMPERATURE
NOTE: THE ABOVE SPECIFICATIONS ARE SUBJECT TO CHANGE OR REVISION

REVISIONS				
ZONE	REV.	DESCRIPTION	DATE	APPROVED
	1	PRELIMINARY	6/30/14	

MECHANICAL OUTLINE



PMI CONFIDENTIAL AND PROPRIETARY

PLANAR MONOLITHICS INDUSTRIES, INC.
7311-F GROVE ROAD
FREDERICK, MARYLAND 21704 USA
TEL: 301-662-5019 FAX: 301-662-1731
WEBSITE: www.pmi-rf.com
E-MAIL: sales@pmi-rf.com
ISO 9001 CERTIFIED



APPROVALS		DATE	TITLE			
DRAWN <i>DPD</i>		6/30/14	PRODUCT FEATURE P1T-500M18G-80-T-SFF			
CHECKED			SIZE	FSCM NO.	DWG NO.	REV.
ISSUED			A	05XQ0	PRELIMINARY	1
			SCALE	N:S	SHEET	1 OF 1