

DESCRIPTION

PMI MODEL: BPM-26D5G40G-180-292FF IS A BI-PHASE MODULATOR OPERATING OVER THE 26.5 TO 40.0 GHz FREQUENCY RANGE. THIS MODEL OFFERS INSERTION LOSS OF 5.5 dB TYPICAL WHILE MAINTAINING A MAXIMUM AMPLITUDE BALANCE OF ± 2.0 dB. THIS COMPACT HOUSING MEASURES 1.0" x 1.0" x 0.5" AND IS OUTFITTED WITH 2.92mm FEMALE CONNECTORS.

SPECIFICATIONS

- FREQUENCY RANGE: ----- 26.5 TO 40.0 GHz
- INSERTION LOSS: ----- 5.5 dB TYP.
- PHASE SHIFT: ----- $\pm 30^\circ$ TYP
- AMPLITUDE BALANCE: ----- ± 2.0 dB TYP
- PHASE SHIFT CONTROL INPUT: ----- TTL "0" = 0°
TTL "1" = 180°
- VSWR: ----- 2.0:1 TYP
3.0:1 MAX
- SWITCHING SPEED: ----- 100 ns MAXIMUM
- IMPEDANCE: ----- 50 Ω
- POWER SUPPLY: ----- +5 VDC @ 75 mA MAXIMUM
-5 VDC @ 20 mA MAXIMUM
- CONNECTORS: ----- 2.92 mm FEMALE
- SIZE: ----- 1.0" x 1.0" x 0.5"
- FINISH: ----- PAINTED BLUE

ENVIRONMENTAL RATINGS

- TEMPERATURE: ----- -55 °C TO +85 °C (OPERATING)
-65 °C TO +125 °C (STORAGE)
- HUMIDITY: ----- UP TO 90%, NON-CONDENSING
- SHOCK: ----- MIL-STD-202, METHOD 213B COND. B
- VIBRATION: ----- MIL-STD-202, METHOD 204D COND. B
- ALTITUDE: ----- MIL-STD-202, METHOD 105C COND. B
- TEMPERATURE CYCLE: ----- MIL-STD-202, METHOD 107D COND. A

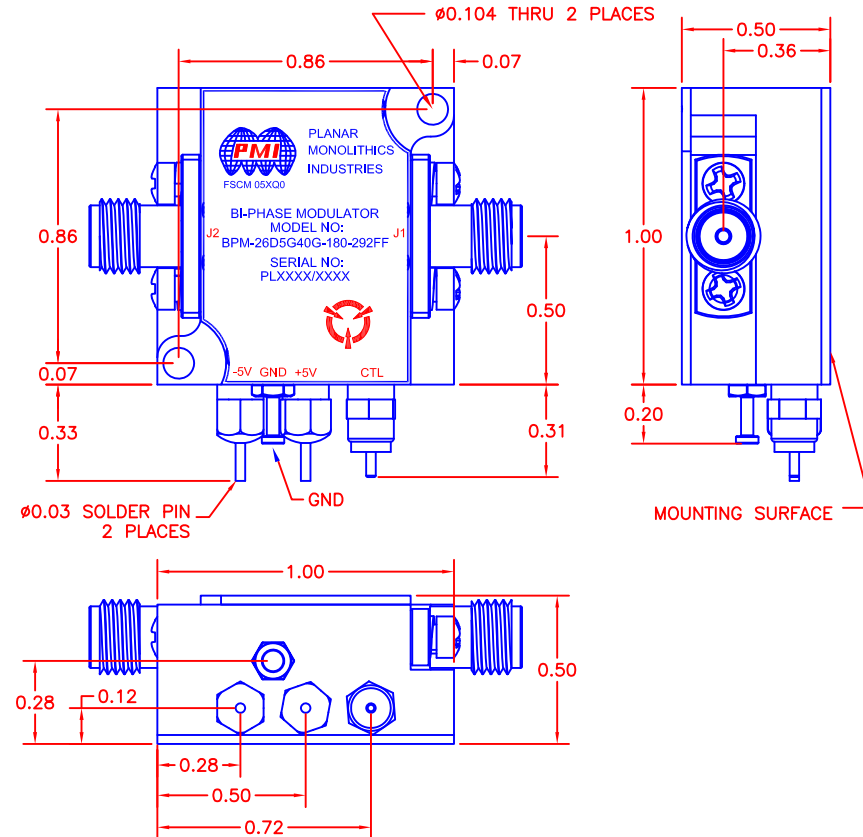
NOTE: SPECIFICATIONS WILL VARY OVER OPERATING TEMPERATURE
NOTE: THE ABOVE SPECIFICATIONS ARE SUBJECT TO CHANGE OR REVISION

PMI CONFIDENTIAL AND PROPRIETARY

ALL DIMENSIONS
ARE IN INCHES (mm)
TOLERANCES:
X.XX ± 0.020
X.XXX ± 0.010

REVISIONS				
ZONE	REV.	DESCRIPTION	DATE	APPROVED
	A1	ORIGINAL RELEASE	11/14/18	

MECHANICAL OUTLINE



PLANAR MONOLITHICS INDUSTRIES, INC.

7311-F GROVE ROAD
FREDERICK, MARYLAND 21704 USA
TEL: (301)-662-5019, FAX: (301)-662-1731
WEB: www.pmi-rf.com, EMAIL: sales@pmi-rf.com
ISO 9001 CERTIFIED



APPROVALS		DATE	TITLE			REV.
DRAWN	<i>JPH</i>	5/29/18	PRODUCT FEATURE			
REDRAWN	<i>JPH</i>	11/14/18	BPM-26D5G40G-180-292FF			
ISSUED			SIZE	FSCM NO.	DWG NO.	REV.
			A	05XQ0	27035380	A1
			SCALE	N:S	SHEET	1 OF 1