

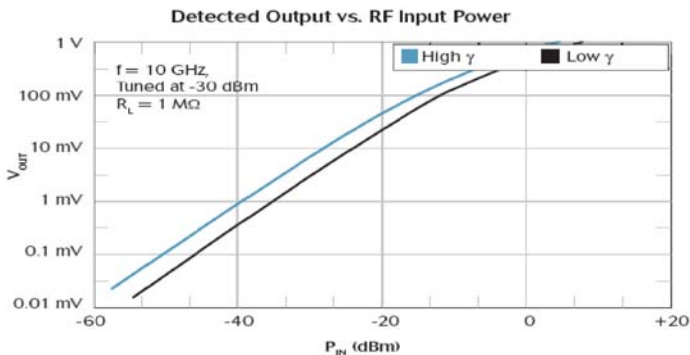
DESCRIPTION:

PMI MODEL NUMBER DD-1G40G-ZBS-SFF IS A ZERO-BIAS SCHOTTKY DETECTOR THAT OPERATES OVER THE 1.0 TO 40.0 GHz FREQUENCY RANGE.

REVISIONS				
ZONE	REV.	DESCRIPTION	DATE	APPROVED
	1	PRELIMINARY	6-22-17	

SPECIFICATIONS:

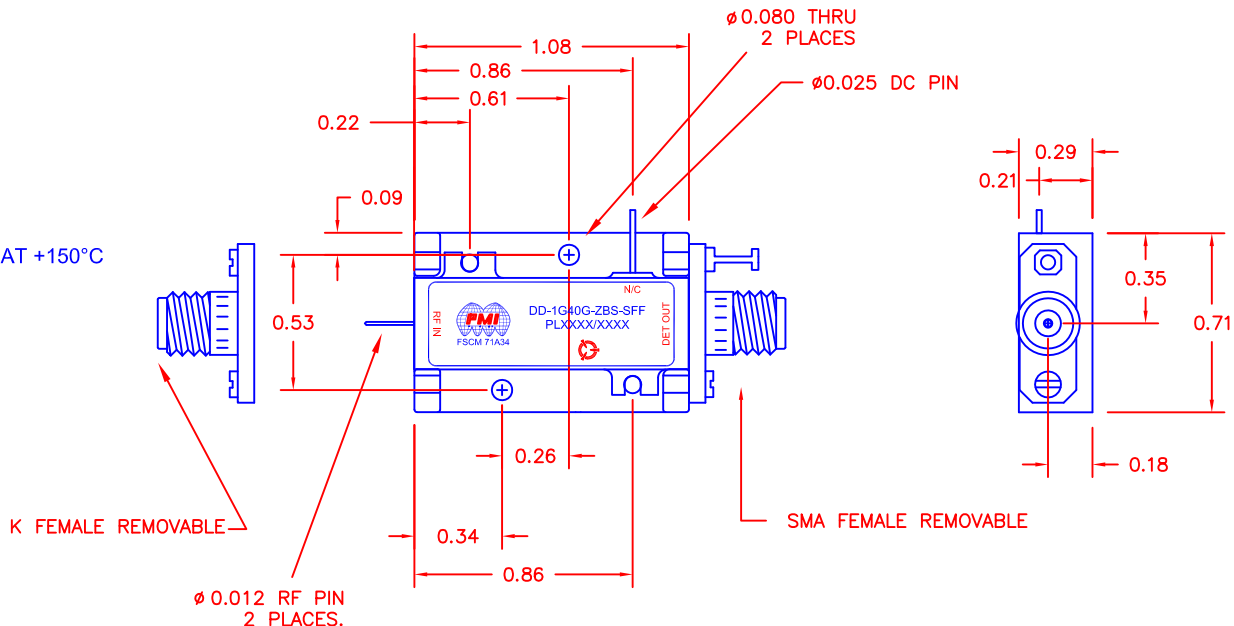
- FREQUENCY: 1.0 GHz TO 40.0 GHz
- VSWR 8.0:1 TYPICAL
- FLATNESS: +/-1.0dB TYPICAL
- OUTPUT POLARITY: POSITIVE
- INPUT POWER: 100mW, DERATED TO ZERO AT +150°C
- INPUT CONNECTOR: 2.92 mm K FEMALE
- OUTPUT CONNECTOR: SMA FEMALE
- SIZE: PE2 HOSUING
- FINISH GOLD PLATED
- DETECTED OUTPUT: SEE BELOW (TYPICAL)



ENVIRONMENTAL RATINGS:

- TEMPERATURE: -45°C TO +85°C (OPERATING)
-65°C TO +125°C (STORAGE)
- HUMIDITY: MIL-STD-202F, METHOD 103B COND. B
- SHOCK: MIL-STD-202F, METHOD 213B COND. B
- VIBRATION: MIL-STD-202F, METHOD 204D COND. B
- ALTITUDE: MIL-STD-202F, METHOD 105C COND. B
- TEMPERATURE CYCLE: MIL-STD-202F, METHOD 107

NOTE: THE ABOVE SPECIFICATIONS ARE SUBJECT TO CHANGE OR REVISION



PMI CONFIDENTIAL AND PROPRIETARY

PLANAR MONOLITHICS INDUSTRIES, INC.

49210 ROBERT J. MATHEWS PKWY
 EL DORADO HILLS, CA 95762
 TEL: 916-542-1401 FAX: 916-265-2597
 WEBSITE: www.pmi-rf.com
 E-MAIL: sales@pmi-rf.com
 ISO 9001 CERTIFIED



APPROVALS		DATE		TITLE			
DRAWN <i>JM</i>		6-22-17		PRODUCT FEATURE			
CHECKED				DD-1G40G-ZBS-SFF			
ISSUED				SIZE	FSCM NO.	DWG NO.	REV.
				A	71A34	PRELIMINARY	1
				SCALE	N:S		SHEET 1 OF 1

ALL DIMENSIONS ARE IN INCHES
 TOLERANCES:
 .X.XX ±0.020
 .X.XXX ±0.005