

Description:

Lower Noise Amplifier designed for Military and Industrial applications. This amplifier is supplied in our standard PE2 housing that can be used as a SMA connectorized or a surface mount component. Other packages and connector types are available.

This model provides the following performance. Data is available upon request.

Specifications:

Frequency Range: 0.25 to 18.0 GHz
Gain: +15dB Typ.
Gain Flatness: +/- 1.5dB Max.
Noise Figure: 5.0dB Typ.
OP1dB: +20dBm Min.
..... +22dBm Typ.
Max. Input Power: +23 dBm
VSWR Input/Output: 2.0:1 Max.
DC Voltage Supply: +12 to +15VDC
DC Current Draw: 225mA Typ.
Connectors In/Out: SMA Female
Finish: Gold Plated

Features:

Internal Voltage Regulation
Unconditional Stability
Standard Operating Temperature -20°C to +70°C

Available Options:

Various Package types
Various Connector types
Temperature Compensation
Hermetic Sealing
Gain and Phase Matching
MIL-STD-883 Screening Available

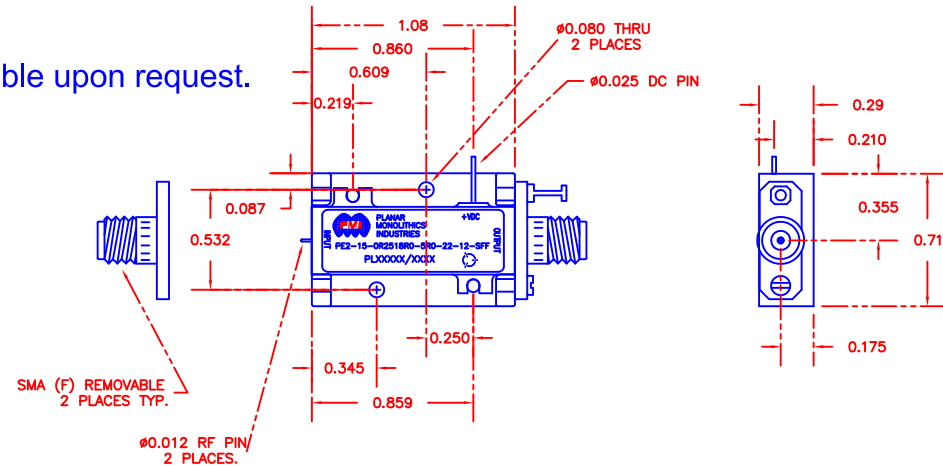
Environmental Ratings:

Temperature: -20°C to +70°C (Operating);
..... -55°C to +85°C (Available)
..... -55°C to +125°C (Storage)
Humidity: MIL-STD-202F, METHOD 103B COND B.
Shock: MIL-STD-202F, METHOD 213B COND B.
Altitude: MIL-STD-202F, METHOD 105C COND B.
Temperature Cycle: MIL-STD-202F, METHOD 107D COND A

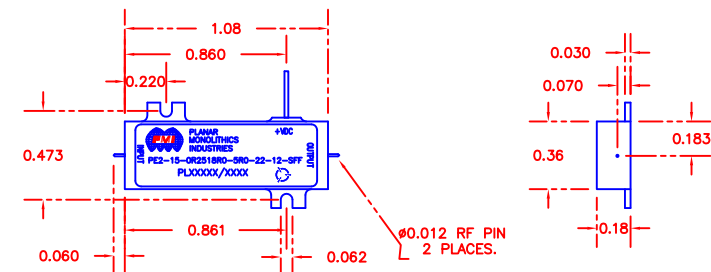
Note: The above specifications are subject to change or revision.

REVISIONS				
ZONE	REV.	DESCRIPTION	DATE	APPROVED
	A1	ORIGINAL RELEASE	2/28/12	
	A2	ECN # 14-0004	01/14/14	
	A3	ECN # 17-0256	11/22/17	

PE2 HOUSING WITH CARRIER



PE2 HOUSING WITHOUT CARRIER (SURFACE MOUNT)



PMI CONFIDENTIAL AND PROPRIETARY

PLANAR MONOLITHICS INDUSTRIES, INC.

7311-F GROVE ROAD
FREDERICK, MARYLAND 21704 USA
TEL: 301-662-5019 FAX: 301-662-1731
WEBSITE: www.pmi-rf.com
E-MAIL: sales@pmi-rf.com
ISO 9001 CERTIFIED



ALL DIMENSIONS ARE IN INCHES
TOLERANCES:
X.XX ±0.020
X.XXX ±0.010

APPROVALS		DATE	TITLE		
DRAWN		2/28/12	PRODUCT FEATURE		
CHECKED			PE2-15-OR2518R0-5R0-22-12-SFF		
ISSUED			SIZE	FSCM NO.	DWG NO.
			A	05XQ0	27016301
			SCALE	SHEET	
			N:S	1 OF 1	
				REV.	A3