

DESCRIPTION

PMI MODEL P2T-6G18G-40-R-570-SFF-300W IS A REFLECTIVE 300W PEAK HIGH-POWER COLD SWITCHING SINGLE POLE DOUBLE THROW SWITCH OPERATING IN THE 6-18 GHz FREQUENCY RANGE.

SPECIFICATIONS

- FREQUENCY RANGE: 6-18 GHz
- POWER: 300W PEAK
- DUTY CYCLE: 20%
- INSERTION LOSS: 2.2dB MAX.
- ISOLATION: 40dB TYP. / 38dB MIN.
- PULSE WIDTH: 200 ns MAX.
- SWITCHING SPEED: 1.25 μ s MAX, (50% TTL TO 90% RF & 50% TTL TO 10% RF).
- VSWR IN/OUT: 2.0:1 MAX.
- LOAD VSWR: BETTER THAN 1.5:1
- DC VOLTAGE & CURRENT: +5V @ 300mA AND -70V @ 60mA
- CONTROL: SINGLE TTL (TTL "0" J1-J3 " LOW LOSS)
- CONNECTOR FOR RF PORT: SMA FEMALE
- CONNECTOR FOR CONTROL: 9 PIN MICRO D TYPE FEMALE, MATING WITH M83513/03A/03C (SEE CONNECTION TABLE BELOW)
- SIZE (NOT INCL. CONNECTORS: (L) 2.00" X (W) 2.00" X (H) 0.75"
- FINISH: PAINTED BLUE - NO PAINT ON MOUNTING SURFACE
- J4 CONNECTIONS

J4 PIN	CONNECT TO
1	U1 -70V
2	GROUND
3	U1 CONTROL
4	U1 +5V
5	U1 NC
6	U1 GROUND
7	U1 GROUND
8	U1 GROUND
9	U1 GROUND

ENVIRONMENTAL RATINGS

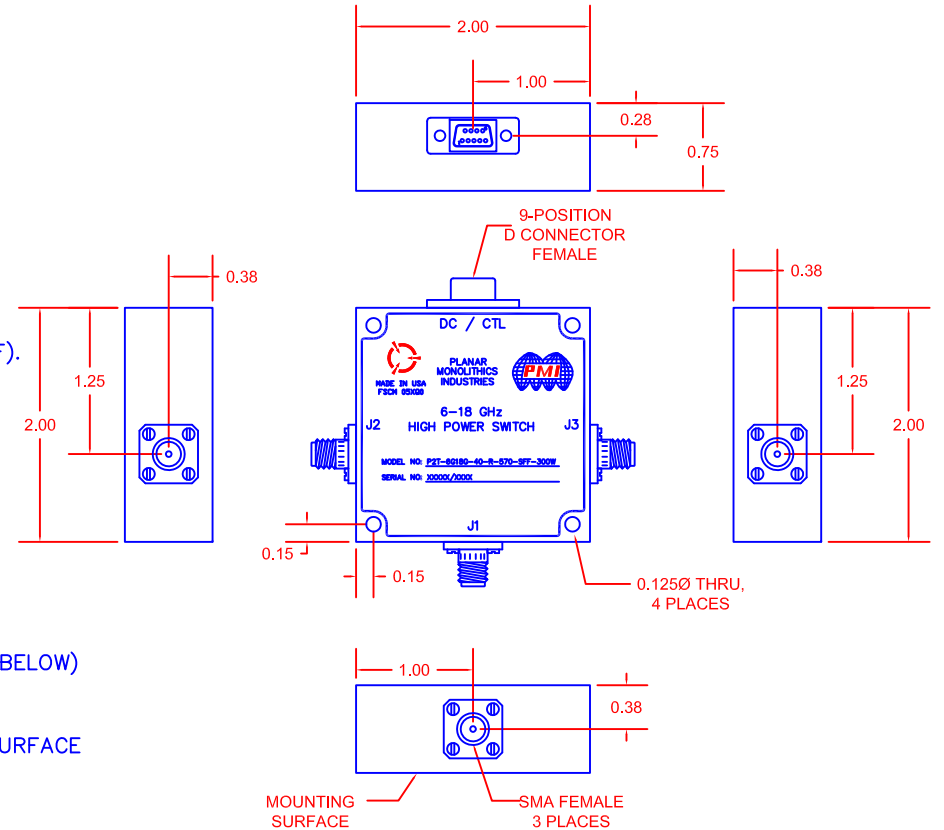
- TEMPERATURE: -40°C TO +85°C
- ENVIRONMENTAL: MIL-STD-810E
- EMI/EMC: MIL-STD-461

NOTE: SPECIFICATIONS WILL VARY OVER OPERATING TEMPERATURE
NOTE: THE ABOVE SPECIFICATIONS ARE SUBJECT TO CHANGE OR REVISION

ALL DIMENSIONS ARE IN INCHES
TOLERANCES:
X.XX ±0.020
X.XXX ±0.010

REVISIONS				
ZONE	REV.	DESCRIPTION	DATE	APPROVED
	A1	ORIGINAL RELEASE	9/22/21	

MECHANICAL OUTLINE



PMI CONFIDENTIAL AND PROPRIETARY

PLANAR MONOLITHICS INDUSTRIES, INC.

7311-F GROVE ROAD
FREDERICK, MARYLAND 21704 USA
TEL: 301-662-5019 FAX: 301-662-1731
WEBSITE: www.pmi-rf.com
E-MAIL: sales@pmi-rf.com
ISO 9001 CERTIFIED



APPROVALS		DATE	TITLE		
DRAWN	SPH	6/29/21	PRODUCT FEATURE P2T-6G18G-40-R-570-SFF-300W		
CHECKED			SIZE	FSCM NO.	DWG NO.
ISSUED			A	05XQ0	27042500
			SCALE	N:S	SHEET 1 OF 1
					REV. A1