

Description:

Model Number SDLVA-1G20G-55-12-SFF-100OHM IS A MINIATURE SDLVA (SUCCESSIVE DETECTION LOG VIDEO AMPLIFIER) SUPPLIED IN OUR STANDARD PE2 HOUSING THAT CAN BE USED IN CONNECTORIZED OR STRIP LINE APPLICATIONS. IT OPERATES FROM 1.0 TO 20.0 GHz FREQUENCY RANGE, GREATER THAN 55DB DYNAMIC RANGE, AND ULTRA HIGH SPEED. IT'S SIZE AND STUNNING PERFORMANCE MAKES IT AN ATTRACTIVE SOLUTION FOR HIGH SPEED, WIDE BAND AND HIGH RELIABILITY CHANNELIZED RECEIVER APPLICATIONS.

Specifications:

- Frequency Range: 1 to 20 GHz
- Frequency Flatness: ± 2.0 dB Typ
- Log Linearity: ± 1.5 dB (Pin = -50 to 0 dBm) @ +25C Typ
- Log Linearity over Temp: ± 2.0 dB (Pin = -50 to 0 dBm) @ -55°C to +85°C Typ
- Logging Range: -55 to +5 dBm
- Input VSWR: 2.8:1 Typ
- Log Video Output Voltage: 0.1 to 2.5V Typ
- Log Video Output Slope: 50 mV / dB Typ
- Log Video Output Rise Time: 5 nS (Pin = -20 dBm @ 10% to 90%)
- Log Video Output Fall Time: 20 nS (Pin = -20 dBm @ 90% to 10%)
- Log Video Recovery Time: 28 nS (Pin = -50 to 0 dBm)
- Log Video Propagation Delay: 15 nS Typ
- Tangential Signal Sensitivity: -58 dBm TSS Typ.
- Video Output Load: 100 Ohm Load
- Operating Voltage: +8 to 15 VDC
- Operating Current: 130 mA Typ.

Environmental Ratings:

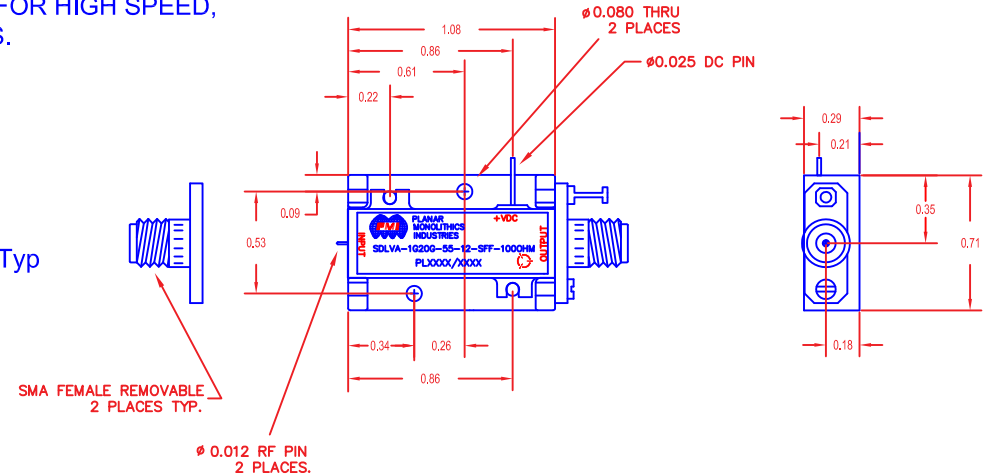
- Temperature: -55 to +85 Deg. C (Operating)
- 65 to +125 Deg. C (Storage)
- Humidity: MIL-STD-202F, METHOD 103B COND B.
- Shock: MIL-STD-202F, METHOD 213B COND B.
- Altitude: MIL-STD-202F, METHOD 105C COND B.
- Temperature Cycle: MIL-STD-202F, METHOD 107D COND A

Note: The above specifications are subject to change or revision.

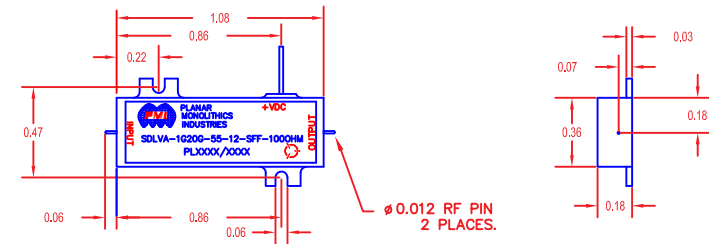
ALL DIMENSIONS ARE IN INCHES
TOLERANCES:
X.XX ±0.020
X.XXX ±0.010

REVISIONS				
ZONE	REV.	DESCRIPTION	DATE	APPROVED
	-	ORIGINAL RELEASE	11/29/21	

PE2 HOUSING WITH CARRIER



PE2 HOUSING WITHOUT CARRIER (SURFACE MOUNT)



PLANAR MONOLITHICS INDUSTRIES, INC.

7311-F GROVE ROAD
FREDERICK, MARYLAND 21704 USA
TEL: 301-662-5019 FAX: 301-662-1731
WEBSITE: www.pmi-rf.com
E-MAIL: sales@pmi-rf.com
ISO 9001 CERTIFIED



APPROVALS		DATE	TITLE		
DRAWN SPH		11/29/21	PRODUCT FEATURE SDLVA-1G20G-55-12-SFF-100OHM		
CHECKED			SIZE A	FSCM NO. 05XQ0	DWG NO. PRELIMINARY
ISSUED			SCALE N: S		REV. -
					SHEET 1 OF 1