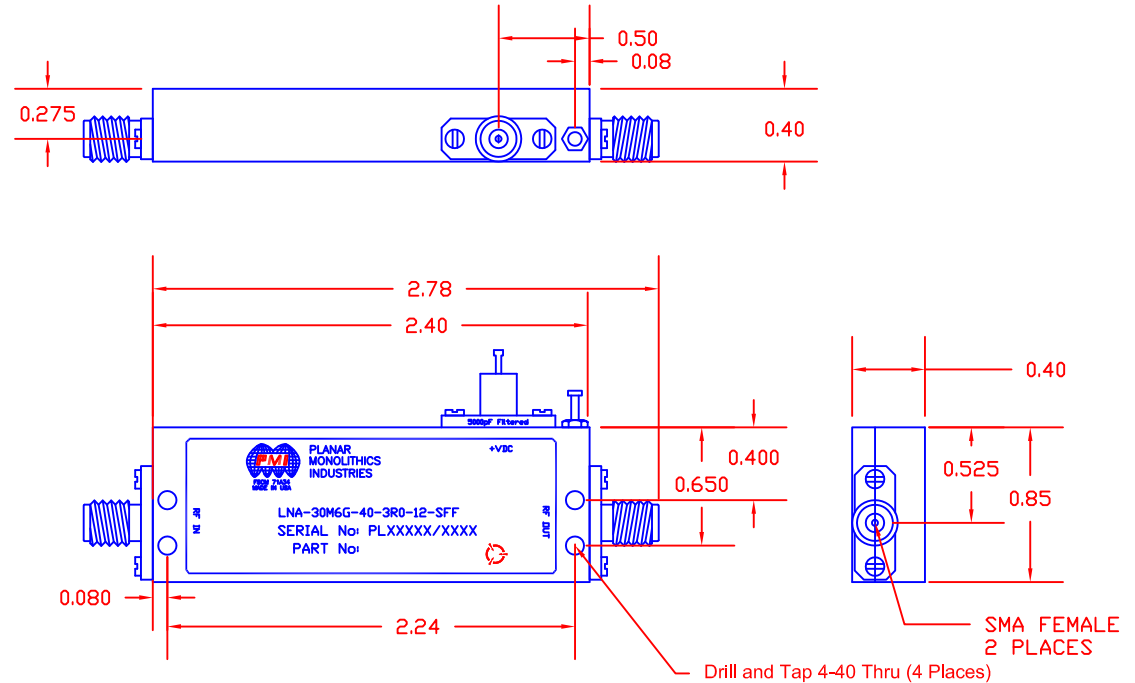


DESCRIPTION

PMI MODEL NUMBER LNA-30M6G-40-3R0-12-SFF IS A LOW NOISE AMPLIFIER WITH VERY WIDE BAND (0.03-6.0 GHz), MINIMAL DC SUPPLY, FLAT GAIN, HIGH GAIN, AND HIGH LINEARITY.

SPECIFICATIONS @ 23°C

- FREQUENCY:----- 30.0 MHz to 6.0 GHz
- GAIN:----- 38 dB TYP
- GAIN FLATNESS:----- ± 2.0 dB MAX
- NOISE FIGURE:----- 4.0 dB MAX
- VSWR IN:----- 2.0:1 MAX
- VSWR OUT:----- 2.0:1 MAX
- P1 dB OUT:----- +18 dBm TYP
- OUTPUT IP3:----- +30 dBm TYP
- INPUT POWER:----- +15 dBm CW NO DAMAGE
+12 TO +15 V @ +450 mA TYP
- VOLTAGE:----- REVERSE POLARITY
PROTECTED
- CONNECTORS:----- SMA FEMALE
- AMPLIFIER UNCONDITIONALLY STABLE:----- OPEN/SHORT/LOAD
- FINISH:----- GOLD PLATED
- SIZE:----- 2.40 X 0.85 X 0.40
WITHOUT CONNECTORS



ENVIRONMENTAL RATINGS

- TEMPERATURE: ----- -20 °C TO +75 °C (OPERATING)
-55 °C TO +95 °C (STORAGE)
- HUMIDITY: ----- MIL-STD-202F, METHOD 103B COND. B
- SHOCK: ----- MIL-STD-202F, METHOD 213B COND. B
- VIBRATION: ----- MIL-STD-202F, METHOD 204D COND. B
- ALTITUDE: ----- MIL-STD-202F, METHOD 105C COND. B
- TEMPERATURE CYCLE: ----- MIL-STD-202F, METHOD 107D COND. A

NOTE: SPECIFICATIONS WILL VARY OVER OPERATING TEMPERATURE
NOTE: THE ABOVE SPECIFICATIONS ARE SUBJECT TO CHANGE OR REVISION

ALL DIMENSIONS ARE IN INCHES
TOLERANCES:
X.XX ±0.020
X.XXX ±0.010

PMI CONFIDENTIAL AND PROPRIETARY

REVISIONS				
ZONE	REV.	DESCRIPTION	DATE	APPROVED
	1	PRELIMINARY	11/11/15	JS

PLANAR MONOLITHICS INDUSTRIES, INC.
4921 ROBERT J MATHEWS PKWY, STE 1
EL DORADO HILLS, CALIFORNIA 95762
TEL: 916-542-1401, FAX: 916-265-2597
WEB: www.pmi-rf.com, EMAIL: sales@pmi-rf.com
ISO 9001 CERTIFIED



APPROVALS		DATE	TITLE			
DRAWN JS		11/11/15	PRODUCT FEATURE LNA-30M6G-40-3R0-12-SFF 0.03 TO 6.0 GHz AMPLIFIER			
CHECKED	afk	12/9/15	SIZE	FSCM NO.	DWG NO.	REV.
ISSUED			A	71A34	PRELIMINARY	1
			SCALE	N:S	SHEET 1 OF 1	