

DESCRIPTION

PMI MODEL NUMBER: P2T-1G2G-85-T-SFF-PN IS A SINGLE POLE, DOUBLE THROW ABSORPTIVE SWITCH DESIGNED TO OPERATE OVER THE 1.0GHZ TO 2.0GHZ FREQUENCY RANGE. THIS MODEL IS DESIGNED TO MAINTAIN LOW INSERTION LOSS, HIGH ISOLATION, AND FAST SWITCHING SPEED.

SPECIFICATIONS

- FREQUENCY RANGE: 1.0 GHz TO 2.0 GHz
- INSERTION LOSS: 1.0dB MAX
- ISOLATION: 85dB MIN
- VSWR: 1.5:1 MAX
- SPEED: 100ns MAX
- POWER INPUT (OPERATING): +30dBm CW MAX.
- CONTROL: TTL 0 – LOW LOSS
TTL 1 – LOW ISOLATION
- CONTROL(-1 OPTION) : SINGLE LINE CONTROL
- POWER SUPPLY: +5V +/- 0.5V @ 80 mA MAX
-15VDC +/- 3V @ 50 mA MAX
- RF CONNECTORS: SMA FEMALE CONNECTORS
- DC CONNECTORS: SOLDER PINS
- SIZE: (L) 1.2" X (W) .9" (H) 0.35"
- FINISH: PAINTED BLUE

ENVIRONMENTAL RATINGS

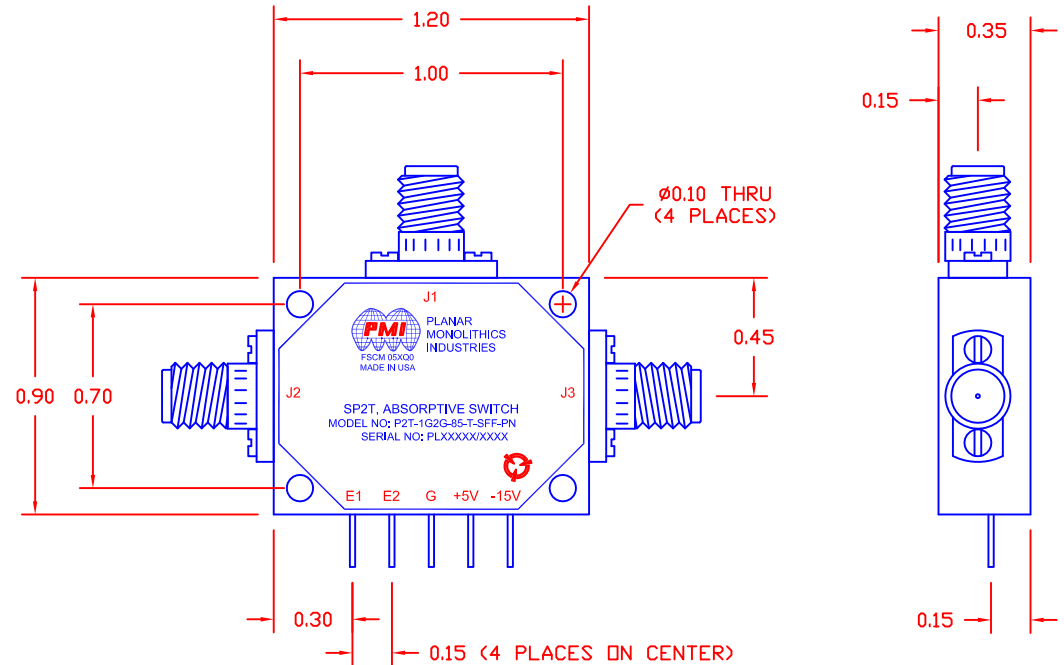
- TEMPERATURE: _____ -40°C TO + 85°C (OPERATING)
-65°C TO +125°C (STORAGE)
- HUMIDITY: _____ MIL-STD-202F, METHOD 103B COND. B
- SHOCK: _____ MIL-STD-202F, METHOD 213B COND. B
- VIBRATION: _____ MIL-STD-202F, METHOD 204D COND. B
- ALTITUDE: _____ MIL-STD-202F, METHOD 105C COND. B
- TEMPERATURE CYCLE: _____ MIL-STD-202F, METHOD 107D COND. A

NOTE: SPECIFICATIONS WILL VARY OVER OPERATING TEMPERATURE
NOTE: THE ABOVE SPECIFICATIONS ARE SUBJECT TO CHANGE OR REVISION

ALL DIMENSIONS ARE IN INCHES
TOLERANCES:
X.XX ±0.020
X.XXX ±0.010

REVISIONS				
ZONE	REV.	DESCRIPTION	DATE	APPROVED
	-	PRELIMINARY	2/1/22	

MECHANICAL OUTLINE



PMI CONFIDENTIAL AND PROPRIETARY

PLANAR MONOLITHICS INDUSTRIES, INC.

7311-F GROVE ROAD
FREDERICK, MARYLAND 21704 USA
TEL: 301-662-5019 FAX: 301-662-1731
WEBSITE: www.pmi-rf.com
E-MAIL: sales@pmi-rf.com
ISO 9001 CERTIFIED



APPROVALS		DATE	TITLE			
DRAWN <i>AF</i>		2/1/22	PRODUCT FEATURE P2T-1G2G-85-T-SFF-PN			
CHECKED			SIZE	FSCM NO.	DWG NO.	REV.
ISSUED			A	05XQ0	PRELIMINARY	
			SCALE	N: S		SHEET 1 OF 1