

ZONE	REV.	DESCRIPTION	DATE	APPROVED
	A1	ORIGINAL RELEASE	7/16/2017	

DESCRIPTION:

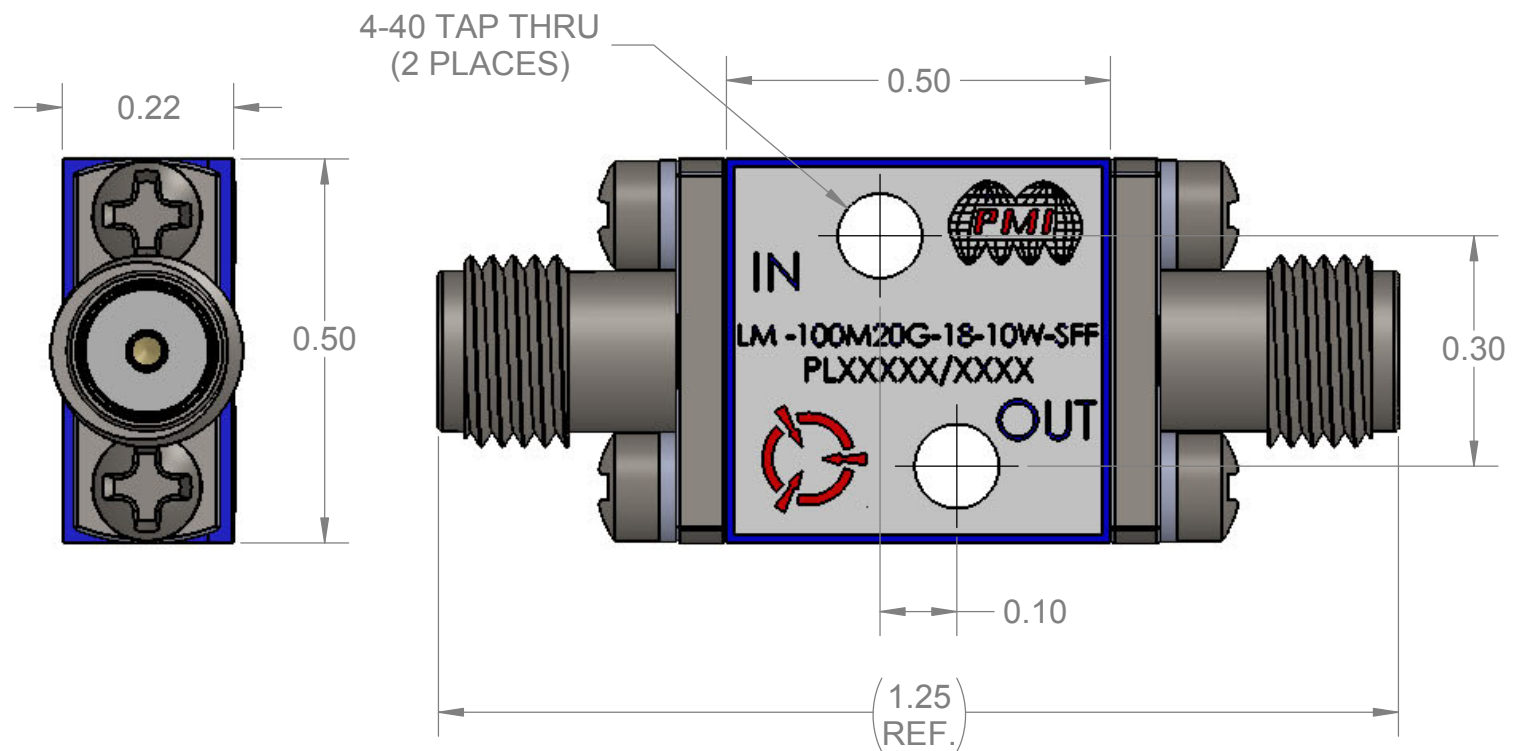
PLANAR MONOLITHICS INDUSTRIES MODEL NUMBER LM-100M20G-18-10W-SFF IS A PASSIVE 10W PEAK, 1W CW LIMITER THAT WORKS FROM 0.1 GHz TO 20.0 GHz. ULTRA SMALL PACKAGE WITH LOW LOSS.

SPECIFICATIONS:

- FREQUENCY RANGE:..... 0.1 TO 20.0 GHz
- INSERTION LOSS:..... 2.0 dB MAX
- VSWR (IN/OUT):..... 2.0 : 1 MAX
- MAX PEAK POWER HANDLING:..... 10W PULSED, 100 us PULSE WIDTH, 10% DUTY CYCLE, 1W CW
- LEAKAGE POWER:..... <20.5 dBm
- RECOVERY TIME:..... <115 ns
- CONNECTORS:..... SMA FEMALE (FIELD REMOVABLE)
- SIZE:..... 0.50 X 0.50 X 0.22
- FINISH:..... PAINTED BLUE

ENVIRONMENTAL RATINGS:

- TEMPERATURE:..... -40°C TO +85°C (OPERATING)
-40°C TO +150°C (STORAGE)
- HUMIDITY:..... MIL-STD-202F, METHOD 103B COND. B
- SHOCK:..... MIL-STD-202F, METHOD 213B COND. B
- VIBRATION:..... MIL-STD-202F, METHOD 204D COND. B
- ALTITUDE:..... MIL-STD-202F, METHOD 105C COND. B
- TEMPERATURE CYCLE:..... MIL-STD-202F, METHOD 107D COND. A



PMI CONFIDENTIAL AND PROPRIETARY

PLANAR MONOLITHICS INDUSTRIES, INC.

 7311-F GROVE ROAD
 FREDERICK, MARYLAND 21704 USA
 TEL: (301)-862-5019, FAX: (301)-662-1731
 WEB: www.pmi-rf.com, EMAIL: sales@pmi-rf.com
 ISO 9001 CERTIFIED

APPROVALS		DATE	TITLE		
DRAWN M. HANKEN		7/16/2017	ASSEMBLY		
REDRAWN			LM-100M20G-18-10W-SFF		
ISSUED			SIZE	FSCM NO.	DWG NO.
			B	05XQ0	26931800
			SCALE	2:1	
					SHEET 1 OF 1
UNLESS OTHERWISE SPECIFIED DIMENSIONS ARE IN INCHES TOLERANCES ARE: FRACTIONS DECIMALS ANGLES ± .XX ± 0.02 ± .XXX ± 0.01					REV. A1

NOTE: THE ABOVE SPECIFICATIONS ARE SUBJECT TO CHANGE OR REVISION SPECIFICATIONS MAY VARY OVER TEMPERA TURE