

DESCRIPTION

PMI MODEL NO. APD-12-8G18G-SFF IS A 12-WAY POWER DIVIDER THAT OPERATES OVER THE FREQUENCY RANGE OF 8.0 TO 18.0 GHz. IT HAS A MINIMUM ISOLATION OF 16 dB AND A MAXIMUM INSERTION LOSS OF 2.8 dB. THIS MODEL IS OUTFITTED WITH SMA FEMALE CONNECTORS.

SPECIFICATIONS

- FREQUENCY RANGE: 8.0 TO 18.0 GHz
- INSERTION LOSS: 2.8 dB MAX (ABOVE SPLITTING LOSS)
- INPUT VSWR: 1.8:1 MAX
- OUTPUT VSWR: 1.8:1 MAX
- ISOLATION: 16 dB MIN
- AMPLITUDE UNBALANCE: 2.0 dB MAX
- PHASE UNBALANCE: 16° MAX
- INPUT POWER: +10 dBm MAX (DESIGN TO MEET AS A SPLITTER FOR LOAD VSWR 1.20:1 MAX, UP TO +25°C, WITH NO DC CURRENT, DE-RATE LINEARLY TO 5 WATTS AT +100°C)
- FINISH: PAINTED BLUE

ENVIRONMENTAL RATINGS

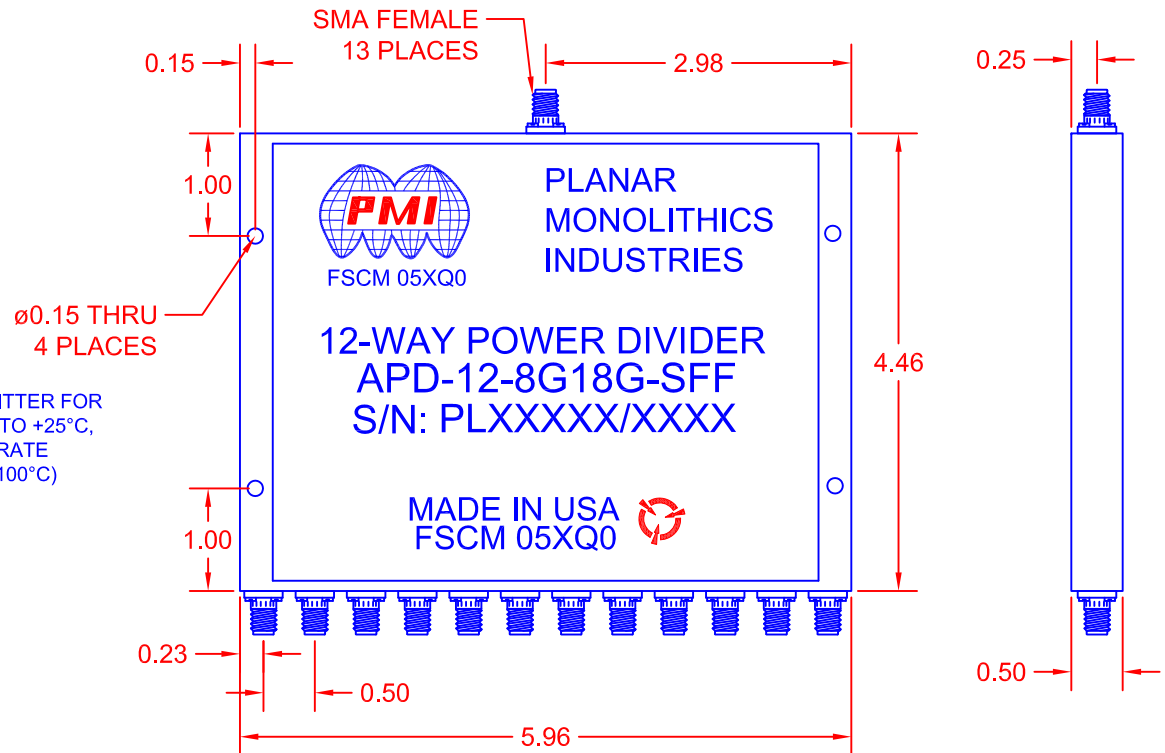
- TEMPERATURE: -54 °C TO +85 °C (OPERATING)
-54 °C TO +100 °C (STORAGE)
- HUMIDITY: 90% MAXIMUM, NON-CONDENSING (OPERATING)
- SHOCK: MIL-STD-202, METHOD 213B COND. B
- VIBRATION: MIL-STD-202, METHOD 204D COND. B
- ALTITUDE: MIL-STD-202, METHOD 105C COND. B
- TEMPERATURE CYCLE: MIL-STD-202, METHOD 107D COND. A

NOTE: SPECIFICATIONS WILL VARY OVER OPERATING TEMPERATURE
NOTE: THE ABOVE SPECIFICATIONS ARE SUBJECT TO CHANGE OR REVISION

PMI CONFIDENTIAL AND PROPRIETARY

REVISIONS				
ZONE	REV.	DESCRIPTION	DATE	APPROVED
	-	PRELIMINARY	3/8/2019	

MECHANICAL OUTLINE



ALL DIMENSIONS
ARE IN INCHES [mm]
TOLERANCES:
X.XX ±0.020
X.XXX ±0.010

PLANAR MONOLITHICS INDUSTRIES, INC.
7311-F GROVE ROAD
FREDERICK, MARYLAND 21704 USA
TEL: (301)-662-5019, FAX: (301)-662-1731
WEB: www.pmi-rf.com, EMAIL: sales@pmi-rf.com
ISO 9001 CERTIFIED



APPROVALS		DATE	TITLE			
DRAWN <i>EW</i>		3/8/19	PRODUCT FEATURE APD-12-8G18G-SFF			
REDRAWN			SIZE	FSCM NO.	DWG NO.	REV.
ISSUED			A	05XQ0	PRELIMINARY	-
			SCALE	N:S	SHEET	1 OF 1