

DESCRIPTION

PMI MODEL P4T-1G2G-60-T-SFF IS AN ABSORPTIVE, HIGH SPEED, SINGLE POLE FOUR THROW SWITCH CAPABLE OF SWITCHING WITHIN 100 ns MAXIMUM. THE FREQUENCY RANGE IS 1.0 GHz TO 2.0 GHz. THIS SWITCH HAS > 60 dB ISOLATION.

SPECIFICATIONS

- FREQUENCY RANGE: _____ 1.0 GHz TO 2.0 GHz
- IMPEDANCE: _____ 50 Ω
- INPUT POWER: _____ +30dBm MAX (SURVIVAL)
+20dBm MAX (OPERATING)
- VSWR: _____ 1.5:1 TYP
- INSERTION LOSS: _____ 1.2dB MAX
- ISOLATION: _____ 60dB MIN
- SWITCHING SPEED: _____ 100ns MAX
- DC VOLTAGE: _____ +5VDC, 200mA TYP
-15VDC, 100mA TYP
- CONTROL: _____ SOLDER PIN
TTL Logic "0" = Low Loss
TTL Logic "1" = Isolation
E1 Controls J1 - J2
E2 Controls J1 - J3
E3 Controls J1 - J4
E4 Controls J1 - J5
- CONNECTORS IN/OUT: _____ SMA (F)
- SIZE: _____ (L) 1.25" X (W) 1.25" X (H) 0.4"
- FINISH: _____ BLUE EPOXY POLIMIDE COATING IAW MIL-C-22750, TYPE I OVER EPOXY POLIMIDE PRIMER IAW MIL-P-23377, TYPE I, CLASS 1 OR 3.

ENVIRONMENTAL RATINGS

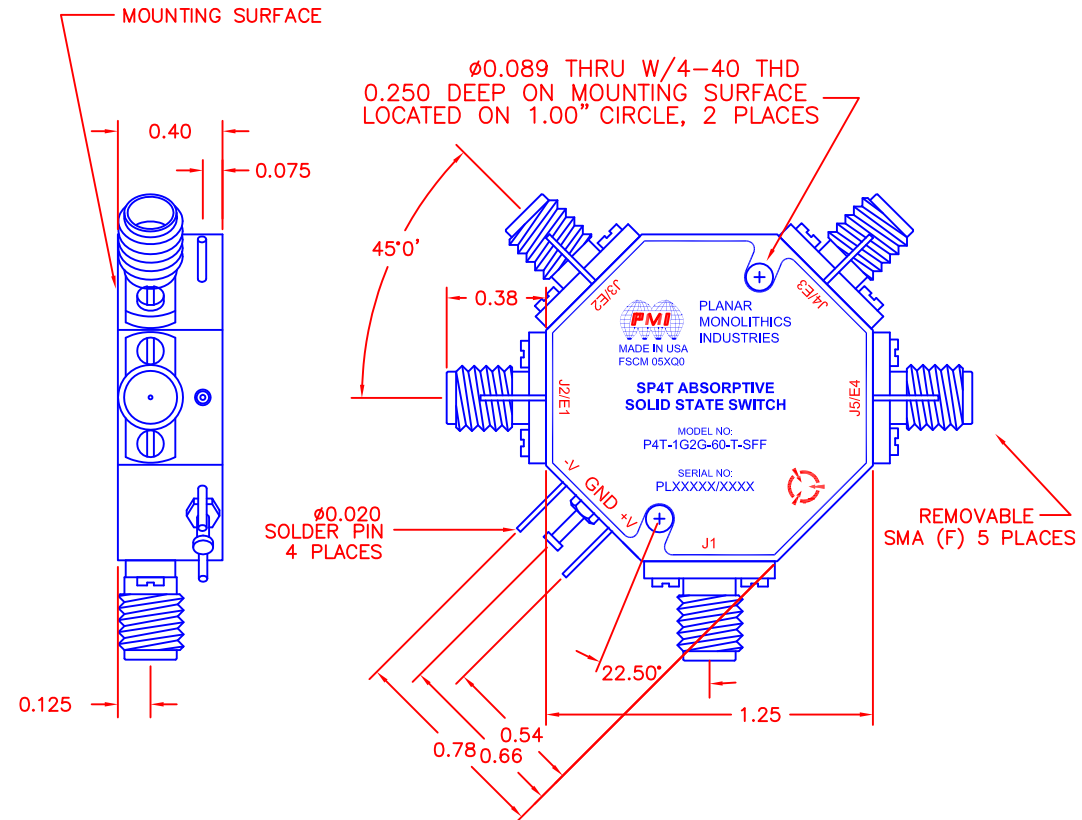
- TEMPERATURE: _____ -55°C TO + 85°C (OPERATING)
-65°C TO +125°C (STORAGE)
- HUMIDITY: _____ MIL-STD-202F, METHOD 103B COND. B
- SHOCK: _____ MIL-STD-202F, METHOD 213B COND. B
- VIBRATION: _____ MIL-STD-202F, METHOD 204D COND. B
- ALTITUDE: _____ MIL-STD-202F, METHOD 105C COND. B
- TEMPERATURE CYCLE: _____ MIL-STD-202F, METHOD 107D COND. A

NOTE: SPECIFICATIONS WILL VARY OVER OPERATING TEMPERATURE
NOTE: THE ABOVE SPECIFICATIONS ARE SUBJECT TO CHANGE OR REVISION

ALL DIMENSIONS ARE IN INCHES
TOLERANCES:
X.XX ±0.020
X.XXX ±0.010

REVISIONS				
ZONE	REV.	DESCRIPTION	DATE	APPROVED
	1	ORIGINAL RELEASE	11/11/15	

MECHANICAL OUTLINE



PMI CONFIDENTIAL AND PROPRIETARY

PLANAR MONOLITHICS INDUSTRIES, INC.

7311-F GROVE ROAD
FREDERICK, MARYLAND 21704 USA
TEL: 301-662-5019 FAX: 301-662-1731
WEBSITE: www.pmi-rf.com
E-MAIL: sales@pmi-rf.com
ISO 9001 CERTIFIED



APPROVALS		DATE	TITLE			
DRAWN <i>B. Thomas</i>		11/11/15	PRODUCT FEATURE P4T-1G2G-60-T-SFF			
CHECKED			SIZE A	FSCM NO. 05XQ0	DWG NO. 27026681	REV. 1
ISSUED			SCALE N:S		SHEET 1 OF 1	