

DESCRIPTION

PMI MODEL TRLA-20-15F OPTION: HPR250W, MT01 IS A HIGH POWER (250 WATT), LOW INSERTION LOSS, 20 dB TRANSMIT RECEIVE LIMITER ATTENUATOR DESIGNED TO OPERATE FROM 14.65 GHz TO 15.35 GHz.

SPECIFICATIONS

- FREQUENCY RANGE: 14.65 GHz TO 15.35 GHz
- PEAK POWER (FAULT CONDITION): 250W (TTL 0, PW=40 uS, DU)
- AVERAGE POWER: 25W (TTL 0, PW=40 uS, DU)
- DUTY CYCLE: 10%
- PULSE WIDTH: 40 uSec
- FLAT LEAKAGE: 50 mW (0 TO 250 W)
- LIMITING THRESHOLD: +7 dBm MINIMUM (TTL 0)
- RECOVERY TIME AT 3 dB: 100 uSec
- INSERTION LOSS: 2.5 dB MAXIMUM (-10 dBm TTL 0)
- VSWR: 1.5:1 (-10 dBm TTL 0)
- SENSITIVITY TIMING CONTROL:
 - TYPE: 1 BIT TTL DIGITAL CONTROL
 - ATTENUATION RANGE: 20 dB (-10 dBm TTL 1) TYPICAL
 - ATTENUATION ACCURACY: ±1 dB @ 25°C TTL 1 OVER FREQUENCY RANGE
 - ATTENUATION FLATNESS: ±1 dB @ 25°C TTL 1 OVER FREQUENCY RANGE
- SWITCHING SPEED: 90 nSec (90%/10% RF TTL 0)
- CONTROL RANGE: TTL "0" = 0 dB, TTL "1" = 20 dB
- BIAS SUPPLY: 150 mA @ +5VDC AND -15VDC
- RF CONNECTORS: GOLD PLATED REMOVABLE FEMALE SMA
- DC AND CONTROL CONNECTORS: SOLDER PINS
- SURFACE FINISH: GOLD PLATED TO MIL-G-45204
- MOUNTING PROVISIONS: THROUGH HOLES FOR M2 SCREWS
- SIZE: 1.00 (L) x 0.50 (W) x 0.25 (H)
- WEIGHT: 2.0 OUNCE TYPICAL

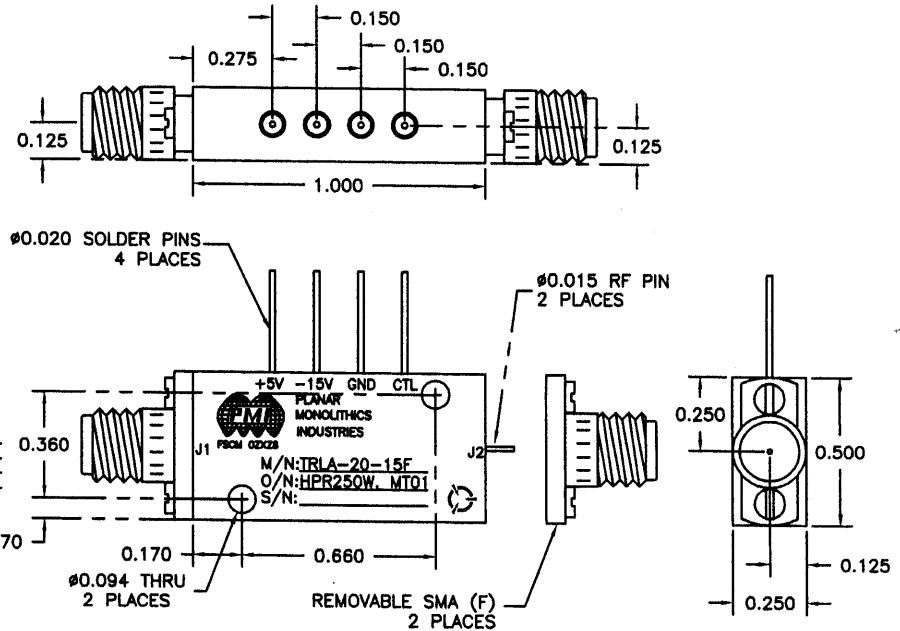
ENVIRONMENTAL RATINGS

- **TEMPERATURE:** -55°C TO +95°C (OPERATING)
..... -65°C TO +125°C (STORAGE)
- **HUMIDITY:** MIL-STD-202F, METHOD 103B COND. B (96 HOURS AT 95% RH)
- **SHOCK:** MIL-STD-202F, METHOD 213B COND. C (100g/6msec)
- **ALTITUDE:** MIL-STD-202F, METHOD 105C COND. C (70,000 FT.)
- **VIBRATION:** MIL-STD-202F, METHOD 204D COND. C (30 g PEAK)
- **THERMAL SHOCK:** MIL-STD-202F, METHOD 107D COND. A
(5 CYCLES, -55°C TO +125°C)
- **SALT SPRAY:** MIL-STD-202F, METHOD 101D, COND. B
- **SEAL:** MIL-STD-202F, METHOD 112C COND. C
(5 X 10⁻⁷ atm cc/sec)
- **SCREENING:** MIL-STD-883 CLASS C METHOD 5008

NOTE: SPECIFICATIONS WILL VARY OVER OPERATING TEMPERATURE
NOTE: THE ABOVE SPECIFICATIONS ARE SUBJECT TO CHANGE OR REVISION

ALL DIMENSIONS ARE IN INCHES
TOLERANCES:
X.XX ±0.020
X.XXX ±0.010

REVISIONS				
ZONE	REV.	DESCRIPTION	DATE	APPROVED
	-	ORIGINAL RELEASE	10/18/99	<i>BSC</i>



PLANAR MONOLITHICS INDUSTRIES, INC.

7311-G GROVE ROAD
FREDERICK, MARYLAND 21704 USA
TEL: 301-631-1579 FAX: 301-662-2029
WEBSITE: www.planarmonolithicsindustries.com
E-MAIL: sales@planarmonolithics.com
ISO 9001:2000 CERTIFIED

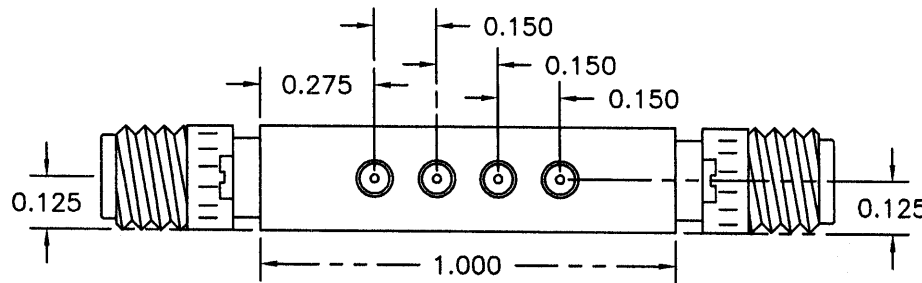


APPROVALS		DATE	TITLE			REV.
DRAWN	<i>WSP</i>	10/18/99	PRODUCT FEATURE TRLA-20-15F OPTION: HPR250W, MT01 14.65 TO 15.35 GHz, TRANSMIT RECEIVE LIMITER ATTENUATOR			-
REDRAWN	<i>gdf</i>	9/16/04	SIZE	FRM NO.	DWG NO.	
ISSUED	<i>PA</i>	7/24/04	A	OZXZ8	100-5182	
			SCALE	N:S	SHEET	1 OF 3

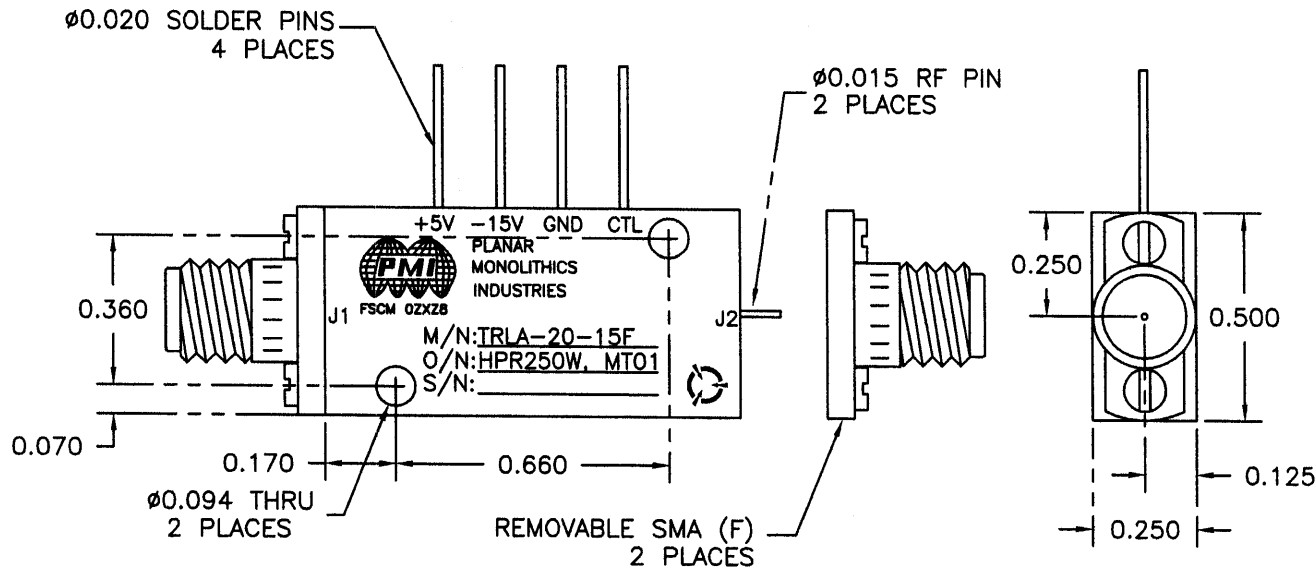
DESCRIPTION

PMI MODEL TRLA-20-15F OPTION: HPR250W, MT01 IS A HIGH POWER (250 WATT), LOW INSERTION LOSS, 20 dB TRANSMIT RECEIVE LIMITER ATTENUATOR DESIGNED TO OPERATE FROM 14.65 GHz TO 15.35 GHz.

REVISIONS				
ZONE	REV.	DESCRIPTION	DATE	APPROVED
	-	ORIGINAL RELEASE	10/18/99	<i>ES</i>



MECHANICAL OUTLINE



ALL DIMENSIONS ARE IN INCHES
 TOLERANCES:
 X.XX ±0.020
 X.XXX ±0.010

PLANAR MONOLITHICS INDUSTRIES, INC.

7311-G GROVE ROAD
 FREDERICK, MARYLAND 21704 USA
 TEL: 301-631-1579 FAX: 301-662-2029
 WEBSITE: www.planarmonolithicsindustries.com
 E-MAIL: sales@planarmonolithics.com
 ISO 9001:2000 CERTIFIED



APPROVALS		DATE	TITLE			
DRAWN	<i>WSP</i>	10/18/99	MECHANICAL OUTLINE TRLA-20-15F OPTION: HPR250W, MT01 14.65 TO 15.35 GHz, TRANSMIT RECEIVE LIMITER ATTENUATOR			
REDRAWN	<i>SDJ</i>	9/16/04	SIZE	FSCM NO.	DWG NO.	REV.
ISSUED	<i>PK</i>	9/24/04	A	OZXZ8	100-5182	-
			SCALE	N:S	SHEET	2 OF 3