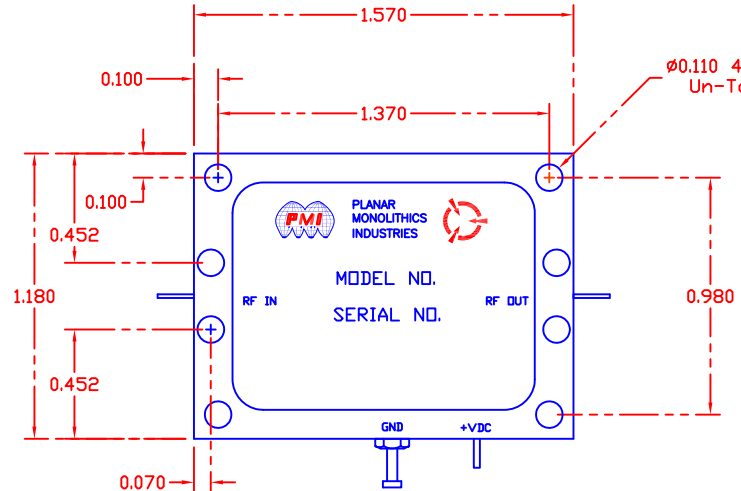
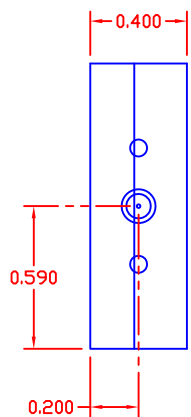
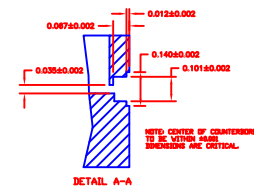
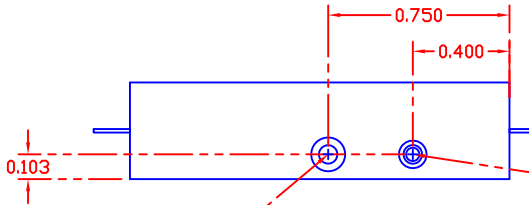
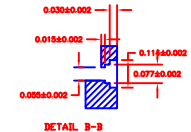
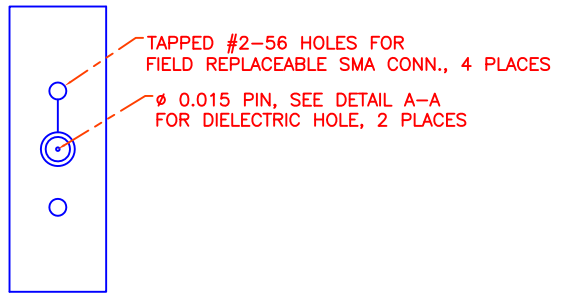


REVISIONS				
ZONE	REV.	DESCRIPTION	DATE	APPROVED
	A	ORIGINAL RELEASE	6/27/05	



Ø0.110 4 Places Un-Tapped



DC FEEDTHRU, SEE DETAIL B-B FOR DRILL HOLES, 1 PLACE

GROUND LUG, TAPPED #2-56 HOLE, 1 PLACE

UNLESS OTHERWISE SPECIFIED DIMENSIONS ARE IN INCHES TOLERANCES ARE: FRACTIONS DECIMALS ANGLES 30.3 ±0.10 ± 30.3±0.005		PART NO.		PLANAR MONOLITHICS INDUSTRIES 7311-F GROVE RD FREDERICK, MARYLAND	
MATERIAL: ALUMINUM ALLOY 6061-T6		APPROVALS		TITLE: Outline Drawing	
FINISH:		DATE: 6/27/05		PEC-18-250K3R4G-12-PP	
NEXT ASSY:		DRAWN: JPD		REV. FROM NO.:	
USED ON:		CHECKED:		REV. NO.:	
APPLICATION:		SERIAL:		27004261	
DO NOT SCALE DRAWING		SCALE: N/S		SHEET 1 OF 1	