

DESCRIPTION:

PMI MODEL NUMBER BPF-4D4G7D8G-3400-SFF IS A BANDPASS FILTER WITH A 3 dB BANDWIDTH OF 3400 MHz MINIMUM COVERING 4400 TO 7800 MHz. THE FILTER IS BUILT IN A CONNECTORIZED PACKAGE.

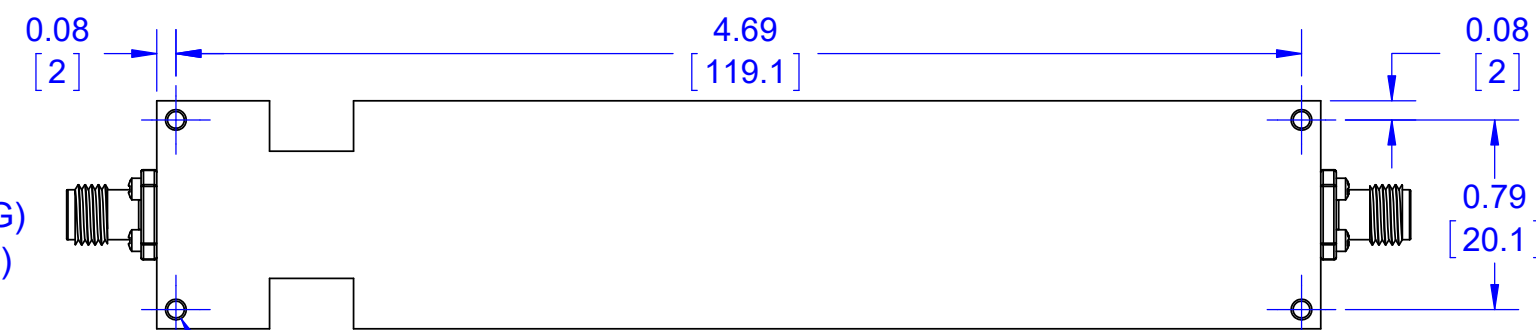
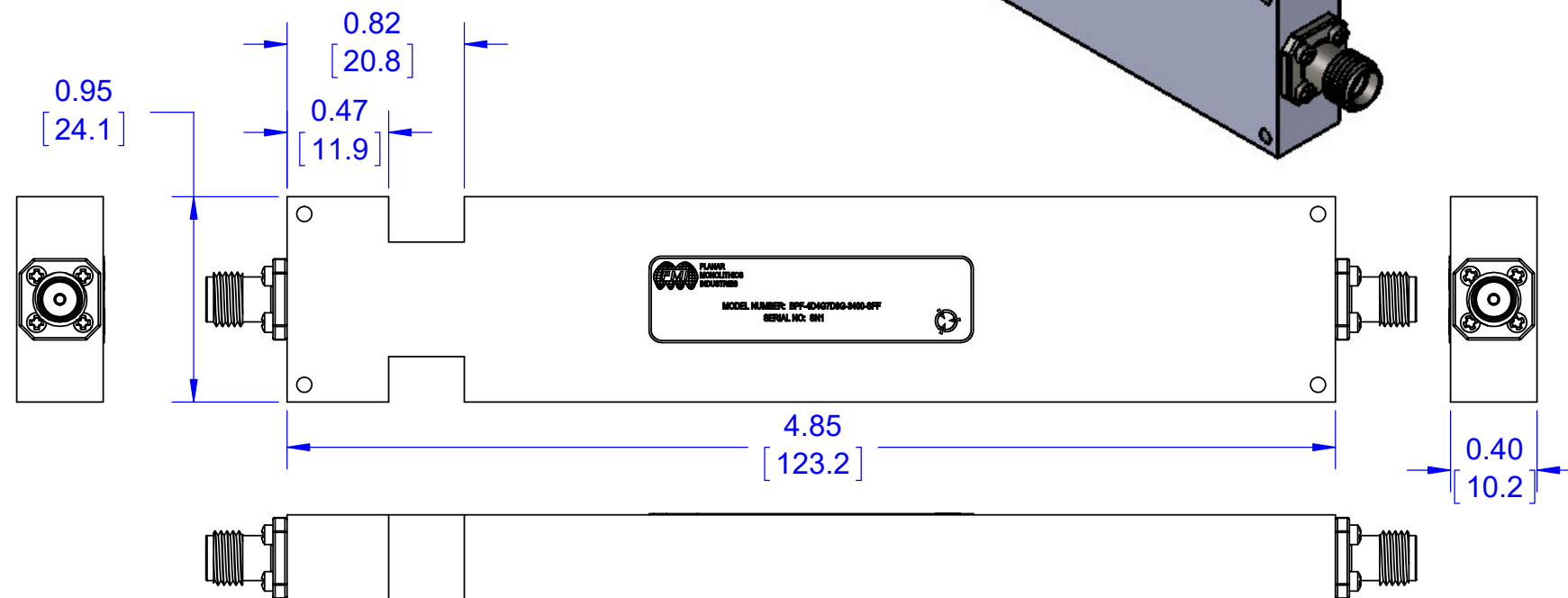
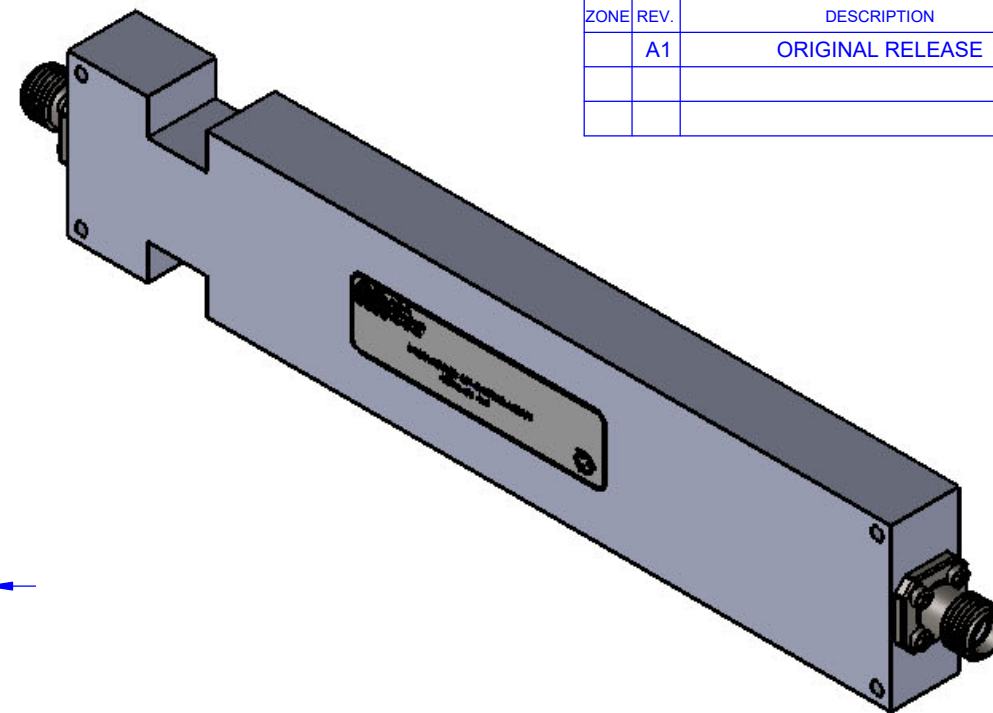
SPECIFICATIONS:

- PASSBAND FREQUENCY RANGE:..... 4.4 GHz TO 7.8 GHz MIN
- PASSBAND BANDWIDTH:..... 3400 MHz MIN
- PASSBAND VSWR:..... 2.0:1 MAX
- PASSBAND INSERTION LOSS:..... 3 dB MAXIMUM
- REJECTION:
 - 0.1 TO 4.0 GHz:..... -60 dBc MINIMUM
 - 8.2 TO 18.0 GHz:..... -60 dBc MINIMUM
- CONNECTORS:..... SMA (F)

ENVIRONMENTAL RATINGS:


- TEMPERATURE:.....
 -40°C TO +85°C (OPERATING)
 -65°C TO +125°C (STORAGE)

ZONE	REV.	DESCRIPTION	DATE	APPROVED
	A1	ORIGINAL RELEASE	12/3/2020	



4X ϕ 0.07 [1.8] THRU ALL
 2-56 UNC ∇ 0.32 [8]

PMI CONFIDENTIAL AND PROPRIETARY

UNLESS OTHERWISE SPECIFIED DIMENSIONS ARE IN INCHES TOLERANCES ARE: FRACTIONS DECIMALS ANGLES \pm .XX \pm 0.010 \pm \pm .XXX \pm 0.005		PART NO.		 PLANAR MONOLITHICS INDUSTRIES, INC. 7311-F GROVE ROAD FREDERICK, MARYLAND 21704 USA TEL: (301)-862-5019, FAX: (301)-662-1731 WEB: www.pmi-rf.com, EMAIL: sales@pmi-rf.com ISO 9001 CERTIFIED	
MATERIAL:		APPROVALS	DATE	TITLE	
FINISH:		DRAWN D. DURBIN	12/3/2020	4400-7800 MHz BANDPASS FILTER BPF-4D4G7D8G-3400-SFF	
NEXT ASSY	USED ON	ISSUED		SIZE	FSCM NO.
				B	05XQ0
APPLICATION				DWG NO.	REV.
				27035145	A1
				SCALE	SHEET 1 OF 1
				1.25:1	