

8 7 6 5 4 3 2 1

| REVISIONS | | | | |
|-----------|------|------------------|--------|----------|
| ZONE | REV. | DESCRIPTION | DATE | APPROVED |
| - | - | ORIGINAL RELEASE | 2/1/08 | |

Description:

Low Noise Amplifier designed for Military and Industrial applications. This amplifier is supplied in our standard PE2 housing that can be used as a SMA connectorized or a surface mount component. Other packages and connector types are available.

This model provides the following performance. Data is available upon request.

Specifications:

- Frequency Range: 10.0 to 11.0 GHz
- Gain: 40dB Typ.
- Gain Flatness: +/-0.5dB Max.
- Noise Figure: 2.75dB Typ.
- OP1dB: 12dBm Min.
- VSWR Input/Output: 2.0:1 Max.
- DC Voltage Supply: +12 to +15VDC
- DC Current Draw: 225mA Max.

Features:

- Internal Voltage Regulation
- Unconditional Stability
- Standard Operating Temperature -20 to +70 Deg. C

Available Options:

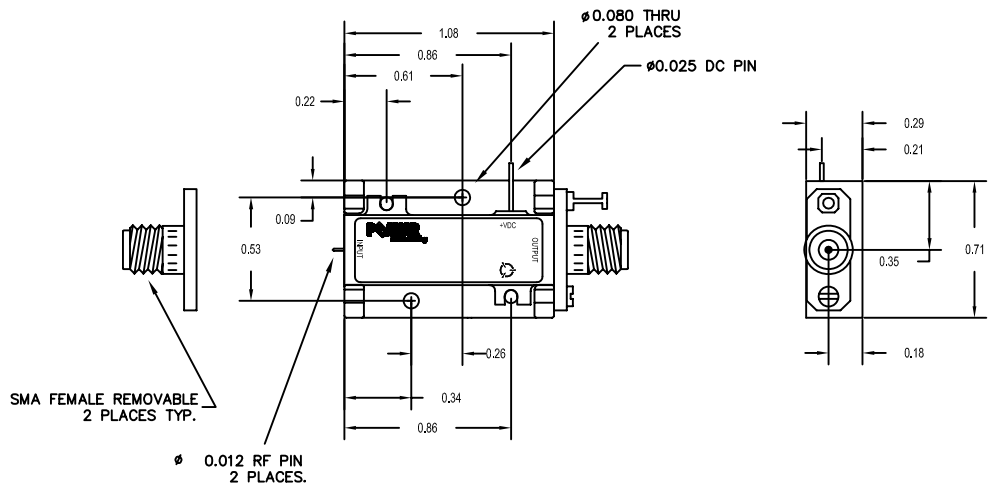
- Various Package types
- Various Connector types
- Temperature Compensation
- Hermetic Sealing
- Gain and Phase Matching
- MIL-STD-883 Screening Available

Environmental Ratings:

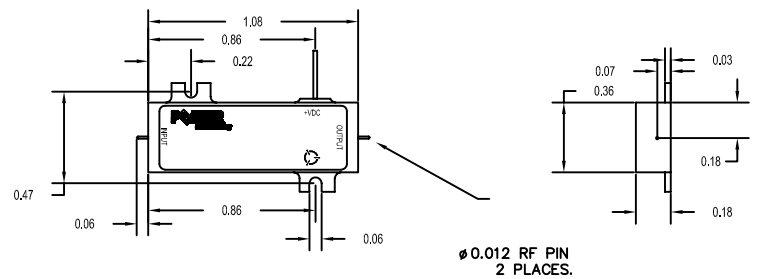
- Temperature: -20 to +70 Deg. C (Operating) ; -55 to +85 Deg C Available)
- 55 to +125 Deg. C (Storage)
- Humidity: MIL-STD-202F, METHOD 103B COND B.
- Shock: MIL-STD-202F, METHOD 213B COND B.
- Altitude: MIL-STD-202F, METHOD 105C COND B.
- Temperature Cycle: MIL-STD-202F, METHOD 107D COND A

Note: The above specifications are subject to change or revision.

PE2 HOUSING WITH CARRIER



PE2 HOUSING WITHOUT CARRIER (SURFACE MOUNT)



UNLESS OTHERWISE SPECIFIED DIMENSIONS ARE IN INCHES TOLERANCES ARE: FRACTIONS DECIMALS ANGLES ± .XX ± 0.010 ± .XXX ± 0.005

| | | | | |
|-----------------------------------|------------------|---------|---|--------------|
| MATERIAL: 6061-T6 Aluminum | APPROVALS | DATE | 5715 Industry Lane, Unit 11 FREDERICK, MARYLAND | |
| | DRAWN K Mason | 2/21/08 | TITLE PRODUCT FEATURE PE2-40-10G1G-2R75-14-12-SFF | |
| FINISH: Gold Plate over Nickel | CHECKED | | SIZE CASE CODE B 1LK53 | REV. N/A |
| DO NOT SCALE DRAWING | DESIGNED | | WEB - MODEL A | SHEET 1 OF 1 |

8 7 6 5 4 3 2 1