

Description:

Model No: PE2-45-1R018R0-4R5-15-12-SFF-OPT120 is a 1.0 to 20.0 GHz low noise amplifier. This amplifier is supplied in our standard PE2 housing that can be used as a SMA connectorized or a surface mount component.

This model provides the following performance. Data is available upon request.

Specifications:

Frequency Range:	1.0 to 20.0 GHz
Gain:	42 dB Typ.
Gain Flatness:	+/- 1.5 dB Typ, +/- 1.75 dB Max
Noise Figure:	4.25 dB Typ., 5.5dB Max.
OP1dB:	+14 dBm Min.
Output Power:	+17dBm +/-2.5dBm Typ. (-25 to +3dBm Input)
VSWR Input/Output:	2.0:1 Max.
PSAT:	+15 dBm Min. @ 20 GHz
DC Voltage Supply:	+12 to +15VDC
DC Current Draw:	240mA Typ
Connectors In/Out	SMA Female
Finish:	Gold Plated

Features:

Internal Voltage Regulation
Unconditional Stability

Available Options:

Various Package types
Various Connector types
Temperature Compensation
Gain and Phase Matching
MIL-STD-883 Screening Available

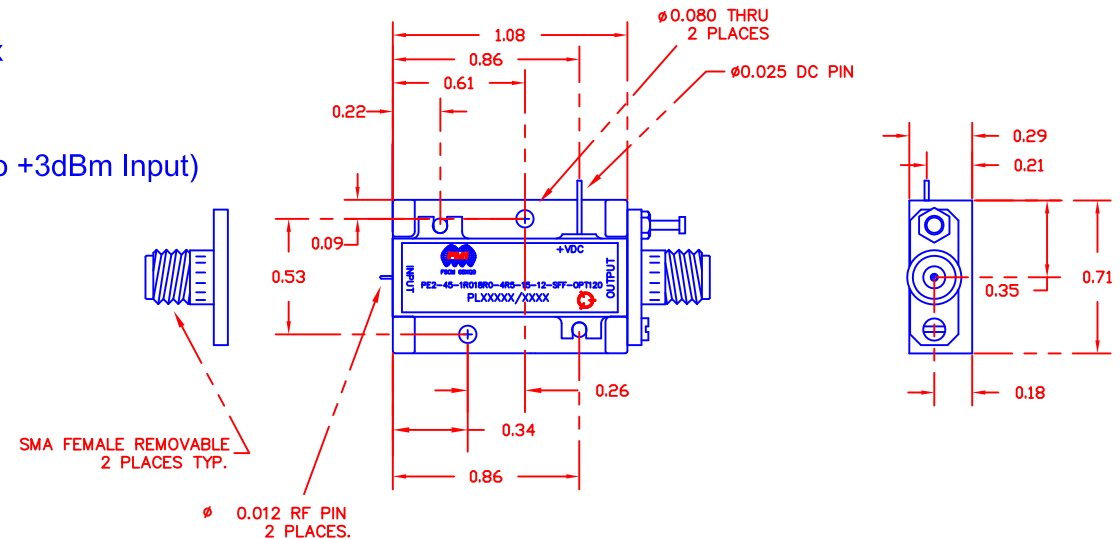
Environmental Ratings:

Temperature:	-55°C to + 85°C (Operating) -65°C to +125°C (Storage)
Humidity:	MIL-STD-202F, METHOD 103B COND B.
Shock:	MIL-STD-202F, METHOD 213B COND B.
Altitude:	MIL-STD-202F, METHOD 105C COND B.
Temperature Cycle:	MIL-STD-202F, METHOD 107D COND A

Note: The above specifications are subject to change or revision.

REVISIONS				
ZONE	REV.	DESCRIPTION	DATE	APPROVED
	-	PRELIMINARY	10/30/14	

MECHANICAL OUTLINE



PROPRIETARY & CONFIDENTIAL

PLANAR MONOLITHICS INDUSTRIES, INC.

7311-F GROVE ROAD
FREDERICK, MARYLAND 21704 USA
TEL: 301-662-5019 FAX: 301-662-1731
WEBSITE: www.pmi-rf.com
E-MAIL: sales@pmi-rf.com
ISO 9001:2008 CERTIFIED



APPROVALS		DATE	TITLE		
DRAWN <i>K. MASON</i>		10/30/14	PRODUCT FEATURE PE2-45-1R018R0-4R5-15-12-SFF -OPT120		
CHECKED			SIZE	FSCM NO.	DWG NO.
ISSUED			A	05XQ0	PRELIMINARY
			SCALE	N: S	SHEET 1 OF 1

ALL DIMENSIONS ARE IN INCHES
TOLERANCES:
X.XX ±0.02
X.XXX ±0.010