

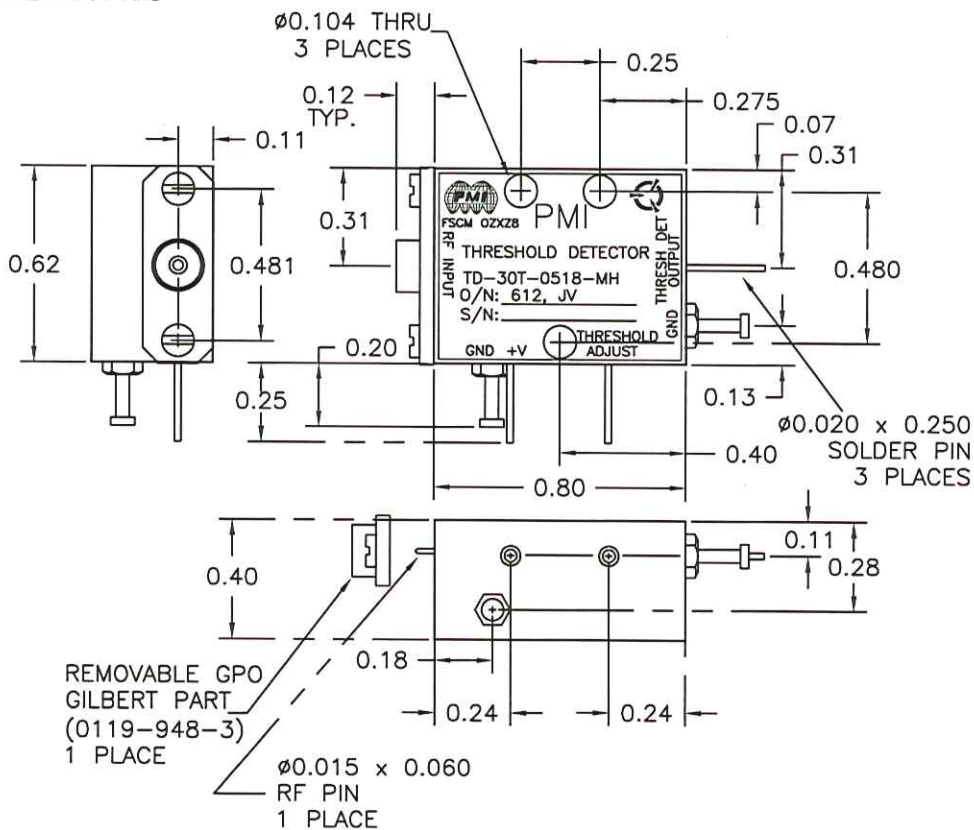
DESCRIPTION:

PMI MODEL # TD-30T-0518-MH OPTIONS 612, JV IS A HIGH SPEED THRESHOLD DETECTOR DESIGNED TO OPERATE OVER THE 6 TO 12 GHz FREQUENCY RANGE, WITH AN ADJUSTABLE THRESHOLD LEVEL OF -18 TO +5 dBm, AND TYPICAL VSWR OF 2.0:1 (2.5:1 MAXIMUM). THIS UNIT COMES IN A VERY SMALL SIZE WITH FIELD REMOVABLE GPO CONNECTOR ON THE INPUT AND SOLDER PIN ON THE OUTPUT.

REVISIONS			
ZONE	REV.	DESCRIPTION	DATE
	-	ORIGINAL RELEASE, SEE ECR: P07-009	04/18/07

SPECIFICATIONS:

- FREQUENCY: 6 GHz TO 12 GHz
- VSWR: 2.5:1 MAXIMUM (2.0:1 TYPICAL)
- DYNAMIC RANGE: -18 dBm TO +5 dBm MINIMUM,
- INPUT FLATNESS: ±2.0 dB MAXIMUM, (±1.0 dB TYPICAL)
- RESPONSE TIME: 50 nSEC MAXIMUM
- OUTPUT TTL
- POWER SUPPLY: +12V @ 100 mA MAXIMUM
- RF INPUT CONNECTOR: REMOVABLE GPO
- OUTPUT CONNECTOR SOLDER PIN
- SIZE: 0.80" x 0.62" x 0.40"
- WEIGHT: 0.50 OUNCE



OPTIONS:

- 612: 6 GHz TO 12 GHz
- JV: SPECIAL FOR JASON VENEMAN FOR LVTTL LOGIC OUTPUT, EPOXY SEALED

ENVIRONMENTAL RATINGS:

- TEMPERATURE: -55°C TO +85°C (OPERATING)
..... -65°C TO +125°C (STORAGE)
- HUMIDITY: MIL-STD-202F, METHOD 103B COND. B
- SHOCK: MIL-STD-202F, METHOD 213B COND. B
- VIBRATION: MIL-STD-202F, METHOD 204D COND. B
- ALTITUDE: MIL-STD-202F, METHOD 105C COND. B
- TEMPERATURE CYCLE: MIL-STD-202F, METHOD 107D COND. A

ALL DIMENSIONS ARE IN INCHES
TOLERANCES:
X.XX ±0.020
X.XXX ±0.010

NOTE: THE ABOVE SPECIFICATIONS ARE SUBJECT TO CHANGE OR REVISION

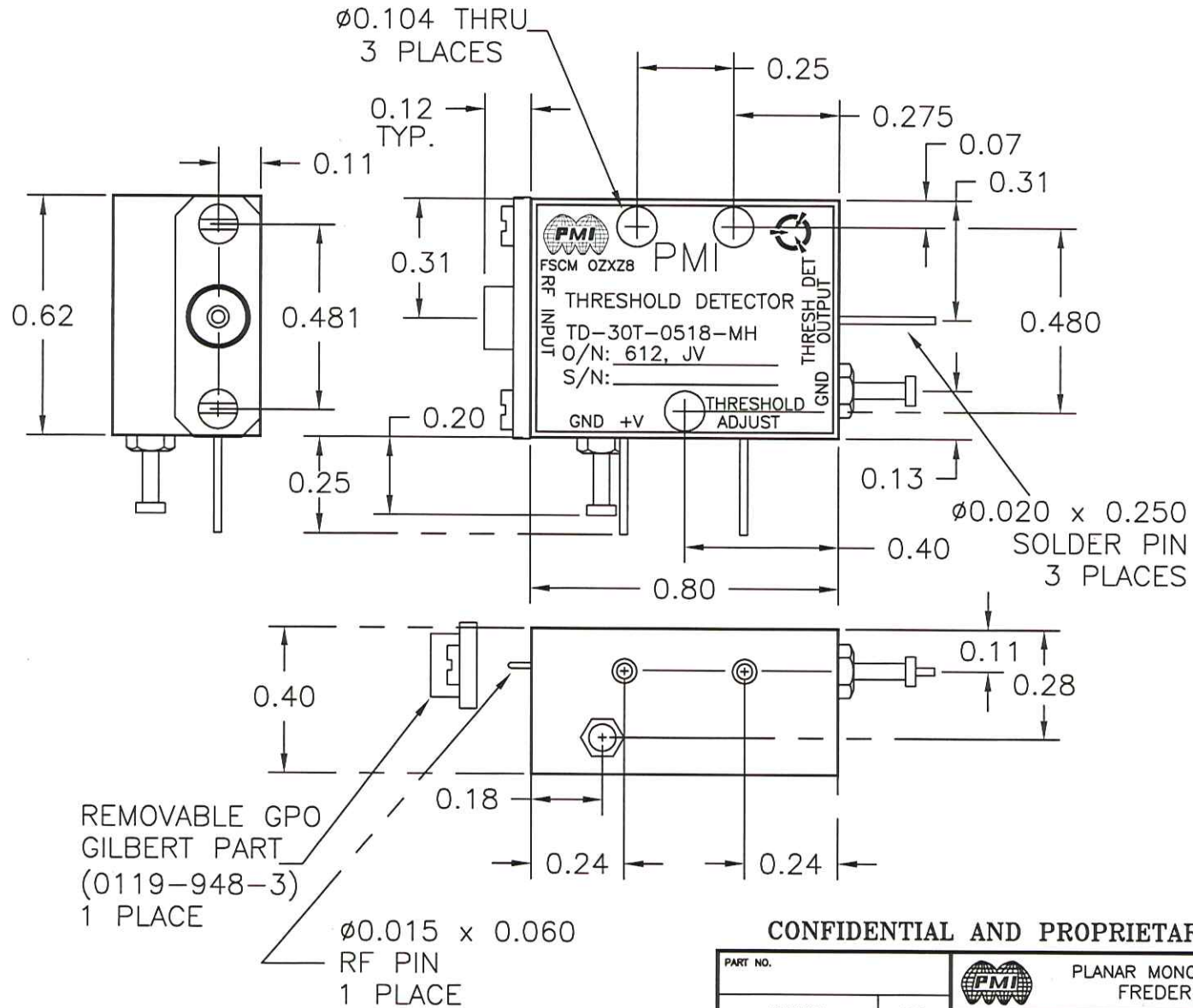
CONFIDENTIAL AND PROPRIETARY

PART NO.		PLANAR MONOLITHICS INDUSTRIES FREDERICK, MARYLAND	
APPROVALS		DATE	
DRAWN <i>WJCS</i>		04/18/07	
CHECKED <i>QSA</i>		4/18/07	
ISSUED <i>PA</i>		4/18/07	
SIZE	FSCM NO.	DWG NO.	REV.
A	60483	100-T000-000	-
SCALE			SHEET 1 of 3

DESCRIPTION:

PMI MODEL # TD-30T-0518-MH OPTIONS 612, JV IS A HIGH SPEED THRESHOLD DETECTOR DESIGNED TO OPERATE OVER THE 6 TO 12 GHz FREQUENCY RANGE, WITH AN ADJUSTABLE THRESHOLD LEVEL OF -18 TO +5 dBm, AND TYPICAL VSWR OF 2.0:1 (2.5:1 MAXIMUM). THIS UNIT COMES IN A VERY SMALL SIZE WITH FIELD REMOVABLE GPO CONNECTOR ON THE INPUT AND SOLDER PIN ON THE OUTPUT.

REVISIONS				
ZONE	REV.	DESCRIPTION	DATE	APPROVED
-	-	ORIGINAL RELEASE, SEE ECR: P07-009	04/18/07	




ALL DIMENSIONS ARE IN INCHES

TOLERANCES:

X.XX ±0.020

X.XXX ±0.010

CONFIDENTIAL AND PROPRIETARY

PART NO.		 PLANAR MONOLITHICS INDUSTRIES FREDERICK, MARYLAND	
APPROVALS	DATE	TITLE	
DRAWN <i>WJCS</i>	04/18/07	OUTLINE DRAWING TD-30T-0518-MH OPTIONS: 612, JV	
CHECKED <i>OSW</i>	16/18/07	SIZE	FSCM NO.
ISSUED <i>pa</i>	4/18/07	A	60483
		DWG NO.	REV.
		100-T000-000	-
		SCALE	SHEET 2 of 3