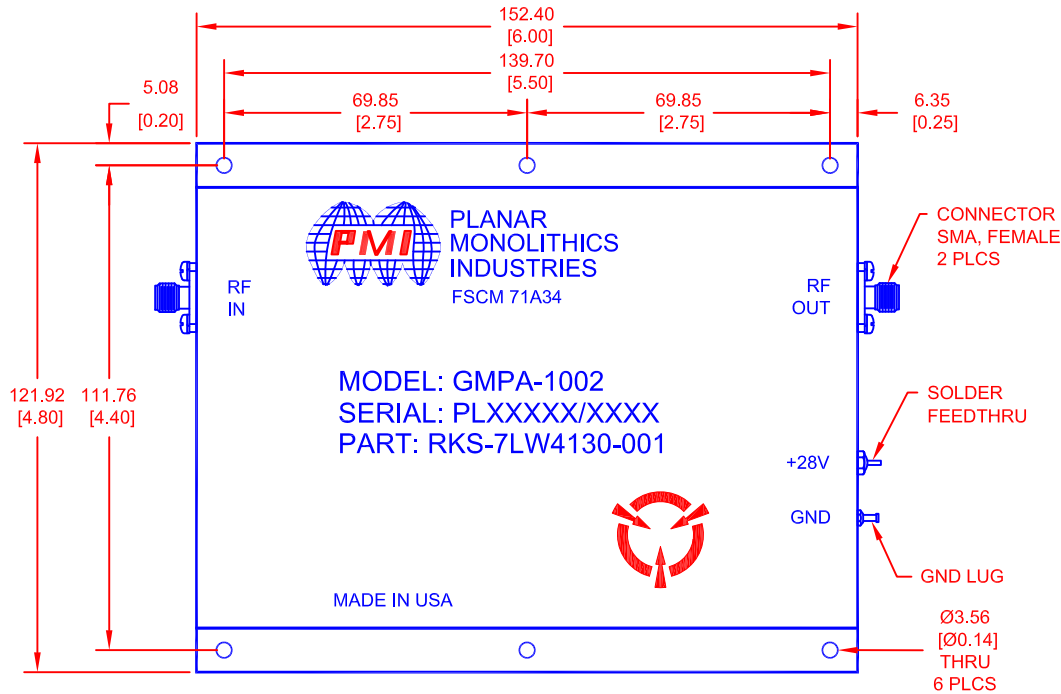


DESCRIPTION

PMI MODEL: GMPA-1002 IS A L BAND POWER AMPLIFIER WHICH OPERATES IN THE 1.0 GHz TO 1.5 GHz FREQUENCY RANGE WITH A POWER OUTPUT OF OVER 19 WATTS.



SPECIFICATIONS:

- FREQUENCY RANGE:----- 1.0 GHz TO 1.5GHz
- NOISE FIGURE:----- 12 dB MAXIMUM
- SMALL SIGNAL GAIN OVER FREQUENCY & TEMPERATURE:----- 50 dB MAXIMUM 45 dB MINIMUM
- GAIN VARIATION vs FREQUENCY:----- ± 1.5 dB MAXIMUM @ ROOM TEMPERATURE
- GAIN VARIATION vs TEMPERATURE:----- ± 2.0 dB MAXIMUM @ ANY FREQUENCY
- POWER OUTPUT FOR P_{sat}:----- +43.0 dBm MIN. WITHIN THE OPERATING TEMPERATURE.
- INTERMODULATION INTERCEPT POINT----- 50 dBm TYPICAL
- INPUT AND OUTPUT VSWR:----- 2.0:1 MAXIMUM
- RF SAFE INPUT POWER:----- 20 mW CW MAXIMUM
- PRIMARY POWER:----- 27 TO 29 VDC @9A MAX, 7A TYP

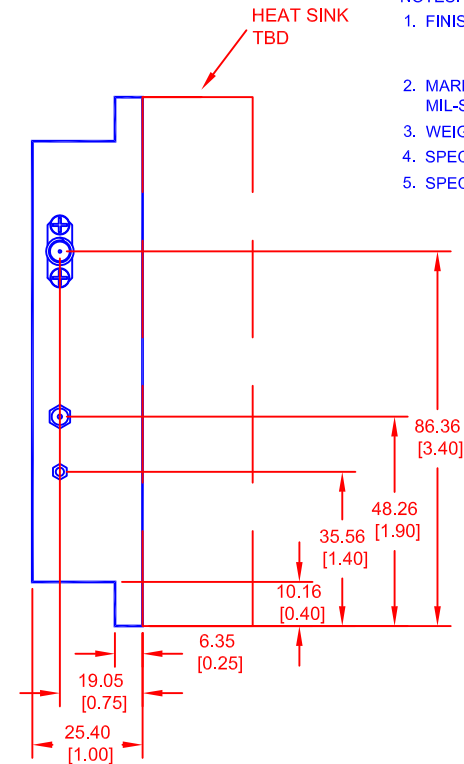
ENVIRONMENTAL RATINGS

- TEMPERATURE:----- -54 °C TO +85 °C (OPERATING) @ MOUNTING SURFACE
-57 °C TO +125 °C (STORAGE)

REVISIONS				
ZONE	REV.	DESCRIPTION	DATE	APPROVED
	1	ORIGINAL RELEASE	3-14-05	JM
	2	FORMAT UPDATE	4-6-16	
	A1	RELEASE PER ECN # 16-0091	08/17/16	
	A2	ECN # 17-0200	08/29/17	

NOTES: (UNLESS OTHERWISE SPECIFIED)

1. FINISH - ELECTROLESS NICKEL PLATE .0005 TO .0007 THK PER AMS 2404.
2. MARKING - APPROX AS SHOWN PER MIL-STD-130.
3. WEIGHT - 965G (MAX.)
4. SPECS WILL VARY OVER OPERATING TEMPERATURE
5. SPECS ARE SUBJECT TO CHANGE OR REVISION



ALL DIMENSIONS ARE IN mm [INCH]
TOLERANCES:
X.XX ±0.762 [0.030]
X.XXX ±0.381 [0.015]

PMI CONFIDENTIAL AND PROPRIETARY

PLANAR MONOLITHICS INDUSTRIES, INC.
4921 ROBERT J. MATHEWS PKWY SUITE 1
EL DORADO HILLS, CA 95762 USA
TEL: (916)-542-1401, FAX: (916)-265-2597
WEB: www.pmi-rf.com, EMAIL: sales@pmi-rf.com
ISO 9001 CERTIFIED



APPROVALS		DATE	TITLE			
DRAWN <i>JOHN KAO</i>		3-14-05	PRODUCT FEATURE GMPA-1002 L BAND POWER AMPLIFIER			
MODIFIED <i>M. Berry</i>		4-6-16				
ISSUED			SIZE A	FSCM NO. 71A34	DWG NO. DWG000032	REV. A2
			SCALE N:S			SHEET 1 OF 1