

DESCRIPTION

PMI MODEL NO. PA-23-56-2W-GPOMM IS A POWER AMPLIFIER THAT OPERATES OVER THE FREQUENCY RANGE OF 5.0 TO 6.0 GHz. IT HAS A TYPICAL SMALL SIGNAL GAIN OF 23 dB AND A TYPICAL RATED INPUT POWER OF +13 dBm. THIS MODEL IS OUTFITTED WITH GPO MALE CONNECTORS.

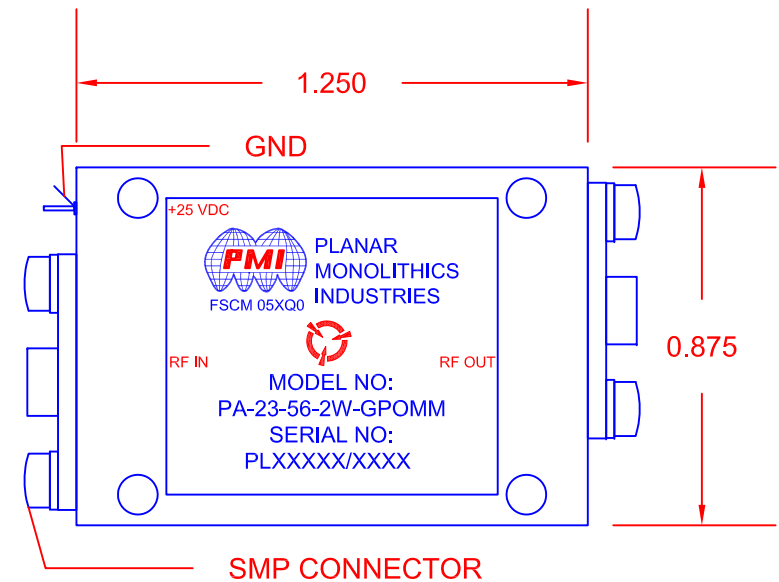
SPECIFICATIONS

- FREQUENCY RANGE: ----- 5.0 TO 6.0 GHz
- RATED INPUT POWER: ----- +13 dBm TYP
- MAX INPUT POWER WITHOUT DAMAGE: -- +16 dBm
- SATURATION OUTPUT POWER: ----- +33 dBm MIN
- SMALL SIGNAL GAIN: ----- 23 dB TYP
- INPUT VSWR: ----- 2:1 TYP
- OUTPUT VSWR: ----- 2:1 TYP
- DC SUPPLY VOLTAGE: ----- +24.5 V MIN, +25 V TYP, +25.5 V MAX
- CURRENT SUPPLY: ----- 800 mA
- RF CONNECTORS IN/OUT: ----- GPO MALE
- FINISH: ----- PAINTED BLUE



REVISIONS				
ZONE	REV.	DESCRIPTION	DATE	APPROVED
	-	PRELIMINARY	7/18/2019	
	1	UPDATED MECHANICALS	9/25/2019	
	2	UPDATED SPECS	10/2/2019	

MECHANICAL OUTLINE



ENVIRONMENTAL RATINGS

- TEMPERATURE: ----- -40 °C TO +85 °C (OPERATING)
-50 °C TO +85 °C (STORAGE)
- HUMIDITY: ----- MIL-STD-202, METHOD 103B COND. B
- SHOCK: ----- MIL-STD-202, METHOD 213B COND. B
- VIBRATION: ----- MIL-STD-202, METHOD 204D COND. B
- ALTITUDE: ----- MIL-STD-202, METHOD 105C COND. B
- TEMPERATURE CYCLE: ----- MIL-STD-202, METHOD 107D COND. A

NOTE: SPECIFICATIONS WILL VARY OVER OPERATING TEMPERATURE

NOTE: THE ABOVE SPECIFICATIONS ARE SUBJECT TO CHANGE OR REVISION

ALL DIMENSIONS
ARE IN INCHES [mm]
TOLERANCES:
X,XX ±0.020
X,XXX ±0.010

PMI CONFIDENTIAL AND PROPRIETARY

PLANAR MONOLITHICS INDUSTRIES, INC.
7311-F GROVE ROAD
FREDERICK, MARYLAND 21704 USA
TEL: (301)-662-5019, FAX: (301)-662-1731
WEB: www.pmi-rf.com, EMAIL: sales@pmi-rf.com
ISO 9001 CERTIFIED



APPROVALS		DATE	TITLE			
DRAWN <i>EW</i>		7/18/19	PRODUCT FEATURE PA-23-56-2W-GPOMM			
REDRAWN			SIZE	FSCM NO.	DWG NO.	REV.
ISSUED			A	05XQ0	PRELIMINARY	2
			SCALE	N:S	SHEET	1 OF 1