

Description:

PMI Model Number PE2-23-500M18G-4R0-12-SFF-TC is a 0.5 to 18.0 GHz low noise amplifier. This amplifier is supplied in our standard PE2 housing that can be used as a SMA connectorized or a surface mount component.

This model provides the following performance.

Specifications:

Frequency Range:	0.5 to 18.0 GHz
Gain:	+23dB Min.
Gain Flatness:	+/- 2.0dB Max. across passband
Noise Figure:	4.0dB Max. (2.0-18.0 GHz), 4.5dB Max. (0.5-2.0 GHz)
OP1dB:	+10dBm Min., +14dBm Typ.
OIP3:	+20dBm Min.
VSWR Input/Output:	2.0:1 Max.
DC Voltage Supply:	+12VDC
DC Current Draw:	180mA Max.
Connectors In/Out:	SMA Female

Features:

Internal Voltage Regulation
Unconditional Stability

Environmental Ratings:

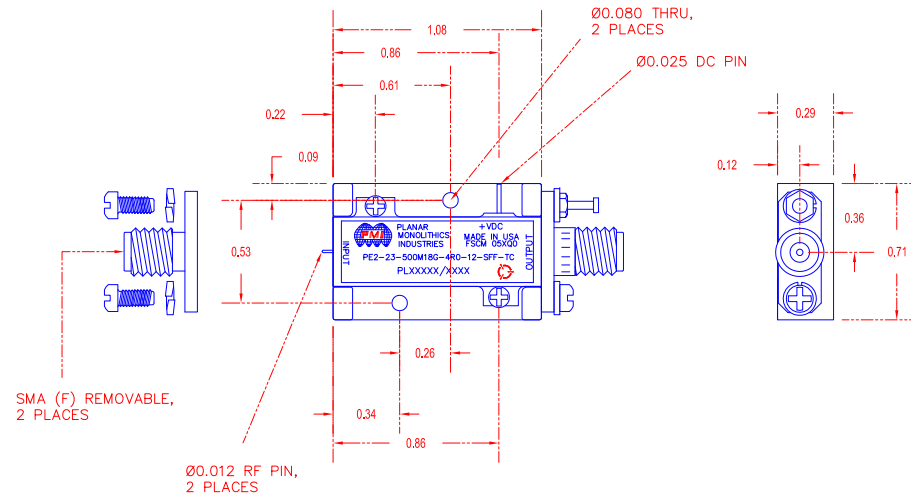
Temperature:	-40°C to +85°C (Operating) -54°C +125°C (Storage)
Humidity:	MIL-STD-202F, METHOD 103B COND B.
Shock:	MIL-STD-202F, METHOD 213B COND B.
Altitude:	MIL-STD-202F, METHOD 105C COND B.
Temperature Cycle:	MIL-STD-202F, METHOD 107D COND A

Note: The above specifications are subject to change or revision.

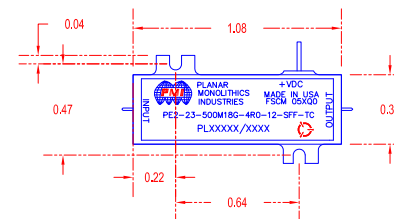
ALL DIMENSIONS ARE IN INCHES
TOLERANCES:
X.XX ±0.020
X.XXX ±0.010

REVISIONS				
ZONE	REV.	DESCRIPTION	DATE	APPROVED
	-	PRELIMINARY	6/11/15	JS

PE2 HOUSING WITH CARRIER



PE2 HOUSING WITHOUT CARRIER (SURFACE MOUNT)



PMI CONFIDENTIAL AND PROPRIETARY

PLANAR MONOLITHICS INDUSTRIES, INC.

7311-G GROVE ROAD
FREDERICK, MARYLAND 21704 USA
TEL: 301-662-4700 FAX: 301-662-4938
WEBSITE: www.pmi-rf.com
E-MAIL: sales@pmi-rf.com
ISO 9001 CERTIFIED



APPROVALS		DATE	TITLE		
DRAWN	JS	6/11/15	PRODUCT FEATURE		
CHECKED			PE2-23-500M18G-4R0-12-SFF-TC		
ISSUED			SIZE	FSCM NO.	DWG NO.
			A	05XQ0	PRELIMINARY
			SCALE	N: S	SHEET 1 OF 1