

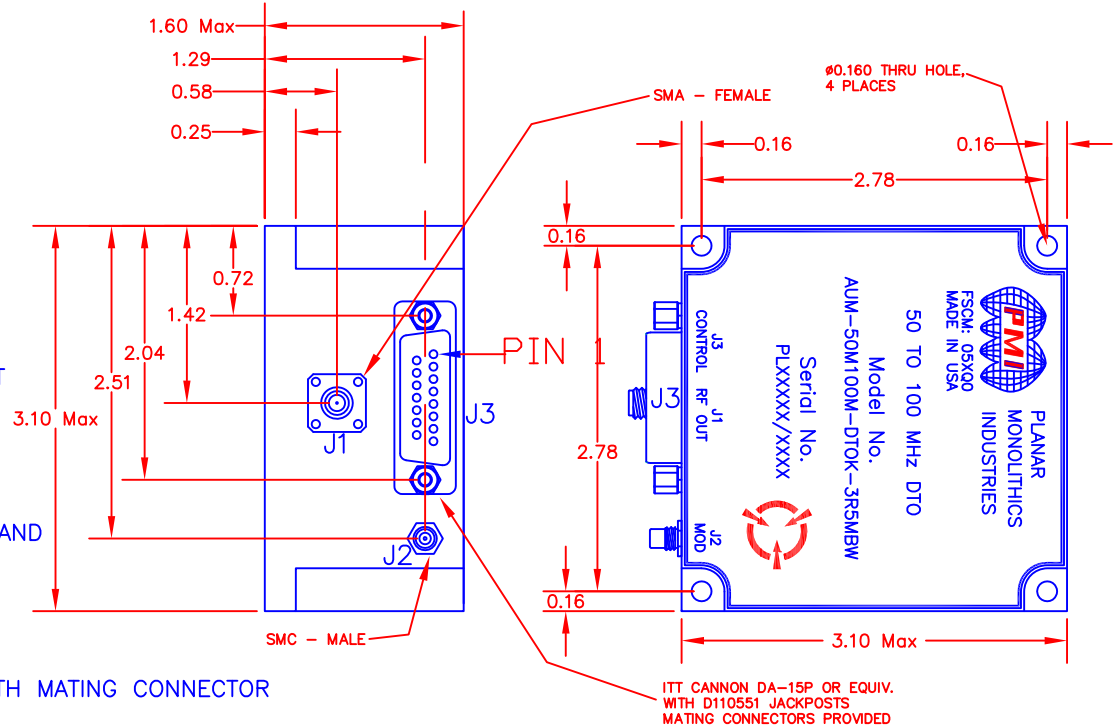
DESCRIPTION:

PLANAR MONOLITHICS INDUSTRIES MODEL NUMBER: AUM-50M100M-DTOK-3R5MBW IS A DIGITALLY CONTROLLED OSCILLATOR THAT OPERATES OVER THE 50MHz TO 100MHz FREQUENCY RANGE. THIS UNIT FEATURES HIGH SPEED, HIGH ACCURACY AND LOW PHASE NOISE

| REVISIONS | | | | |
|-----------|------|------------------|----------|----------|
| ZONE | REV. | DESCRIPTION | DATE | APPROVED |
| | A1 | ORIGINAL RELEASE | 11/15/11 | |
| | A2 | ECN # 13-0108 | 08/09/13 | |

SPECIFICATIONS:

- FREQUENCY: 50MHz TO 100MHz
- FREQUENCY ACCURACY: ±2.0MHz MAX @ +25°C
- MODULATION:
 - BANDWIDTH (3dB): 3.5MHz MIN
 - SENSITIVITY VARIATION: 2.0:1 TYP, 3.0:1 MAX
 - FREQUENCY DEVIATION BW: 8 TO 20MHz TYP @ 2V P-P
- RF POWER:
 - OUTPUT: +10dBm MIN
- PHASE NOISE: -60dBc/Hz TYP @ 100kHz OFFSET
- HARMONICS: -20dBc TYP, -15 dBc MAX
- SPURIOUS: -55dBc MAX
- LINEARIZED FREQUENCY TUNING
 - STEP SIZE: LSB 0.1MHz NOMINAL FOR FULL-BAND
- CONNECTORS:
 - RF INPUT (J1): SMA (F) 4 HOLE FLANGE
 - MODULATION (J2): SMC (M)
 - CONTROL (J3): 15 PIN (M) SUB D - SHIPPED WITH MATING CONNECTOR
- DC POWER:
 - +15V ±0.5V
 - 15V ±0.5V
 - + 5V ±0.5V
 - +28V ±2.0V



PMI CONFIDENTIAL & PROPRIETARY

ENVIRONMENTAL RATINGS

- TEMPERATURE: -40°C TO +70°C (OPERATING)
- 40°C TO +100°C (STORAGE)

NOTE: THE ABOVE SPECIFICATIONS ARE SUBJECT TO CHANGE OR REVISION

ALL DIMENSIONS ARE IN INCHES
TOLERANCES:
X.XX ±0.020
X.XXX ±0.010

PLANAR MONOLITHICS INDUSTRIES, INC.

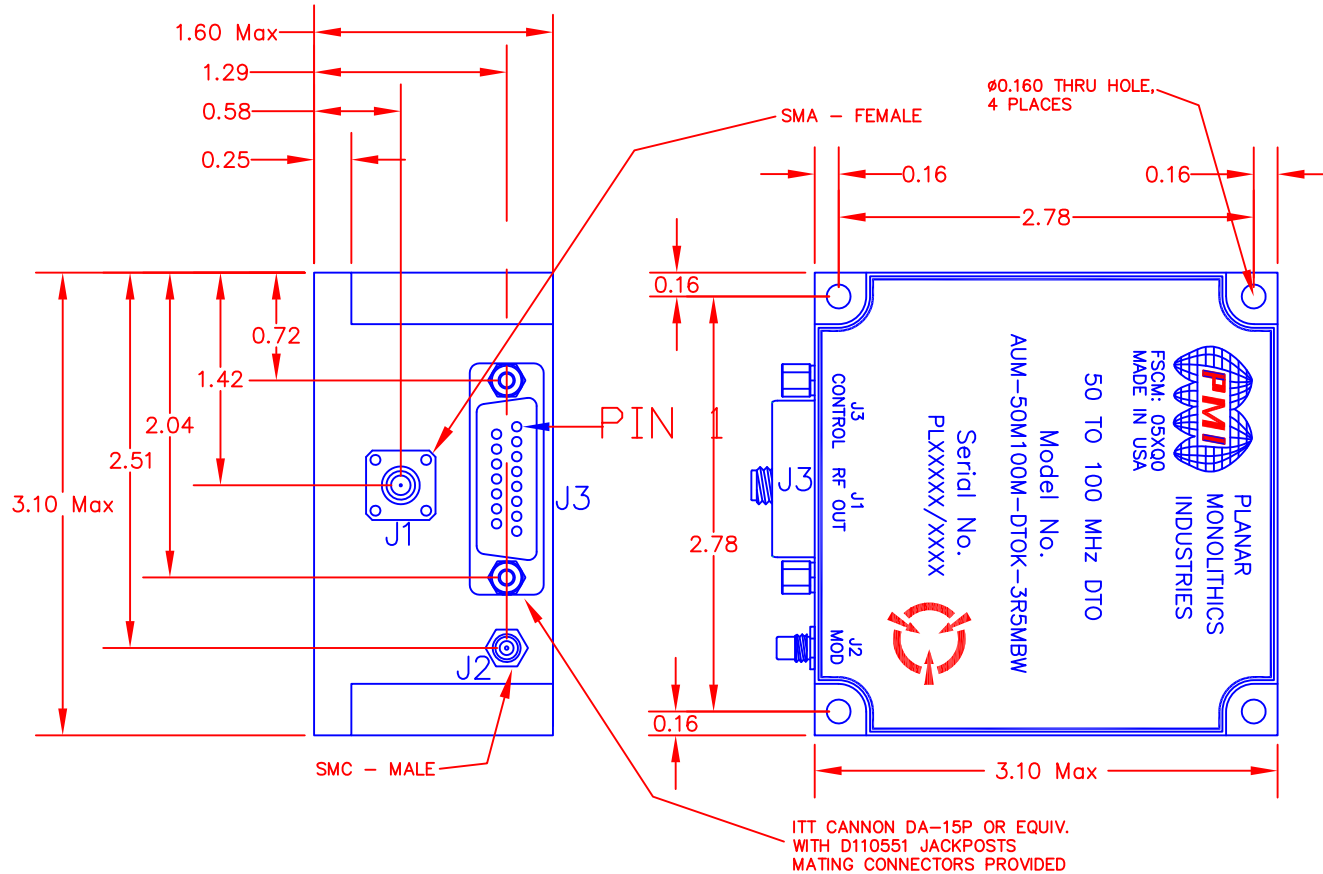
7311-F GROVE ROAD
FREDERICK, MARYLAND 21704 USA
TEL: 301-662-5019 FAX: 301-662-1731
WEBSITE: www.pmi-rf.com
E-MAIL: sales@pmi-rf.com
ISO 9001:2008 CERTIFIED



| APPROVALS | | DATE | TITLE | | | |
|------------------|--|----------|-------------------------------------------------------------------|-------------------|---------------------|------------|
| DRAWN <i>sfk</i> | | 11/15/11 | PRODUCT FEATURE AUM-50M100M-DTOK-3R5MBW 50MHz to 100MHz DTO | | | |
| CHECKED | | | SIZE A | FSCM NO. 05XQ0 | DWG NO. 27014001 | REV. A2 |
| ISSUED | | | SCALE N:S | SHEET 1 OF 2 | | |

| REVISIONS | | | | |
|-----------|------|------------------|----------|----------|
| ZONE | REV. | DESCRIPTION | DATE | APPROVED |
| | A1 | ORIGINAL RELEASE | 11/15/11 | |
| | A2 | ECN # 13-0108 | 08/09/13 | |

| J3 CONNECTIONS TABLE | |
|----------------------|----------------------|
| PIN NO | FUNCTION |
| 1 | A8 TUNING WORD (MSB) |
| 2 | A7 TUNING WORD |
| 3 | A6 TUNING WORD |
| 4 | A5 TUNING WORD |
| 5 | A4 TUNING WORD |
| 6 | A3 TUNING WORD |
| 7 | A2 TUNING WORD |
| 8 | A1 TUNING WORD |
| 9 | A0 TUNING WORD |
| 10 | LATCH |
| 11 | +15V |
| 12 | -15V |
| 13 | +5V |
| 14 | +28V |
| 15 | GROUND |



ITT CANNON DA-15P OR EQUIV.
WITH D110551 JACKPOSTS
MATING CONNECTORS PROVIDED

PMI CONFIDENTIAL & PROPRIETARY

PLANAR MONOLITHICS INDUSTRIES, INC.

7311-F GROVE ROAD
FREDERICK, MARYLAND 21704 USA
TEL: 301-662-5019 FAX: 301-662-1731
WEBSITE: www.pmi-rf.com
E-MAIL: sales@pmi-rf.com
ISO 9001:2008 CERTIFIED



NOTE: THE ABOVE SPECIFICATIONS ARE SUBJECT TO CHANGE OR REVISION

ALL DIMENSIONS ARE IN INCHES
TOLERANCES:
X.XX ±0.020
X.XXX ±0.010

| APPROVALS | | DATE | TITLE | | | |
|------------------|--|----------|-------------------------------------------------------------------|----------|----------|--------------|
| DRAWN <i>sfc</i> | | 11/15/11 | PRODUCT FEATURE AUM-50M100M-DTOK-3R5MBW 50MHz TO 100MHz DTO | | | |
| CHECKED | | | SIZE | FSCM NO. | DWG NO. | REV. |
| ISSUED | | | A | 05XQ0 | 27014001 | A2 |
| | | | SCALE | N:S | | SHEET 2 OF 2 |