

DESCRIPTION

PMI MODEL NO. BPF-440M-80M-SFF IS A BAND PASS FILTER THAT OPERATES OVER THE FREQUENCY RANGE OF 400 TO 480 MHZ. IT HAS A MAXIMUM INSERTION LOSS OF 2.5 dB AND A MAXIMUM VSWR OF 1.5:1. THIS MODEL IS OUTFITTED WITH SMA FEMALE CONNECTORS.

SPECIFICATIONS

- FREQUENCY RANGE (-1 dB BANDWIDTH): --- 400 TO 480 MHz
- INSERTION LOSS: ----- 2.5 dB MAX
- PASS BAND RIPPLE: ----- ±0.5 dB MAX
- VSWR: ----- 1.5:1 MAX
- REJECTION @ 380 MHz: ----- 10 dBc MIN
- REJECTION @ 500 MHz: ----- 10 dBc MIN
- REJECTION @ DC TO 360 MHz: ----- 40 dBc MIN
- REJECTION @ 520 TO 700 MHz: ----- 40 dBc MIN
- INPUT POWER: ----- 0.5 WATTS MAX
- IMPEDANCE: ----- 50 OHMS
- CONNECTORS: ----- SMA FEMALE
- FINISH: ----- PAINTED BLUE

ENVIRONMENTAL RATINGS

- TEMPERATURE: ----- -40 °C TO +85 °C (OPERATING)
----- -65 °C TO +125 °C (STORAGE)
- HUMIDITY: ----- MIL-STD-202, METHOD 103B COND. B
- SHOCK: ----- MIL-STD-202, METHOD 213B COND. B
- VIBRATION: ----- MIL-STD-202, METHOD 204D COND. B
- ALTITUDE: ----- MIL-STD-202, METHOD 105C COND. B
- TEMPERATURE CYCLE: ----- MIL-STD-202, METHOD 107D COND. A

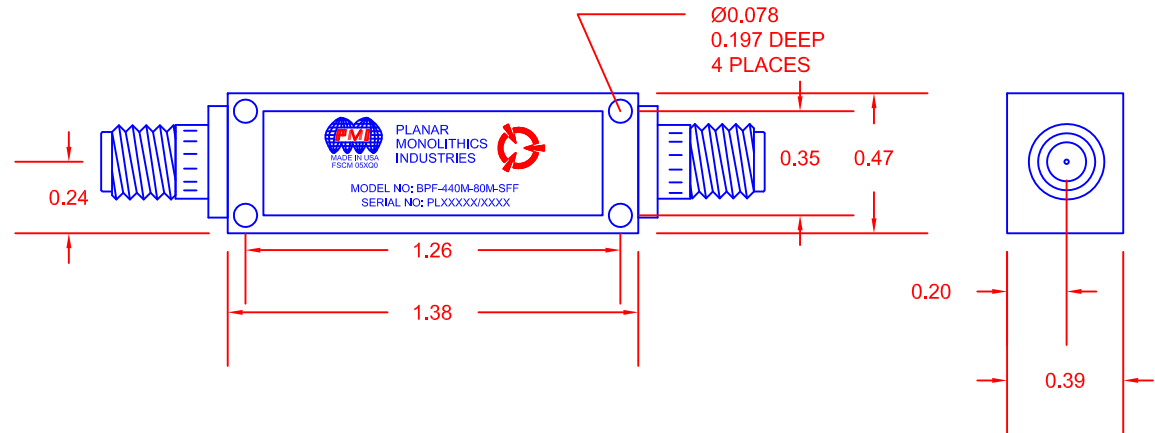
NOTE: SPECIFICATIONS WILL VARY OVER OPERATING TEMPERATURE

NOTE: THE ABOVE SPECIFICATIONS ARE SUBJECT TO CHANGE OR REVISION

PMI CONFIDENTIAL AND PROPRIETARY

REVISIONS				
ZONE	REV.	DESCRIPTION	DATE	APPROVED
	-	PRELIMINARY	4/10/2019	

MECHANICAL OUTLINE



PLANAR MONOLITHICS INDUSTRIES, INC.

7311-F GROVE ROAD

FREDERICK, MARYLAND 21704 USA

TEL: (301)-662-5019, FAX: (301)-662-1731

WEB: www.pmi-rf.com, EMAIL: sales@pmi-rf.com

ISO 9001 CERTIFIED



APPROVALS		DATE	TITLE			
DRAWN <i>EW</i>		4/10/19	PRODUCT FEATURE BPF-440M-80M-SFF			
REDRAWN			SIZE A	FSCM NO. 05XQ0	DWG NO. PRELIMINARY	REV. -
ISSUED			SCALE N:S	SHEET 1 OF 1		