

DESCRIPTION

PMI MODEL P2T-100M50G-100-512-T IS AN ABSORPTIVE, SINGLE POLE TWO THROW PIN DIODE SWITCH THAT OPERATES OVER THE 0.1 GHz TO 50 GHz FREQUENCY RANGE. IT FEATURES LOW INSERTION LOSS AND HIGH ISOLATION IN A SLIMLINE PACKAGE. THIS MODEL ALSO INCORPORATES A TTL COMPATIBLE DRIVER FOR EASE OF SYSTEM INTEGRATION.

SPECIFICATIONS

- FREQUENCY: 0.1 TO 50 GHz
- INSERTION LOSS: 4.5 dB (0.1 TO 18 GHz) MAX.
6.0 dB (18 TO 40 GHz) MAX.
8.5 dB (40 TO 50 GHz) MAX.
- VSWR: 2.5:1 (0.1 TO 18GHz) MAX.
2.6:1 (18 TO 40 GHz) MAX.
2.8:1 (40 TO 50 GHz) MAX.
- ISOLATION: 85 dB (0.1 TO 18 GHz) MIN.
85 dB (18 TO 40 GHz) MIN.
70 dB (40 TO 50 GHz) MIN.
- INPUT POWER: 20 dBm CW MAX
- SWITCHING SPEED: 50 ns MAX
- CONTROL SIGNAL: TTL LOGIC "0" = J1-J2 ON
TTL LOGIC "1" = J1-J3 ON
- DC VOLTAGE: +5 V @ 100 mA MAX
-12 V @ 100 mA MAX
- RF CONNECTORS: 2.4 mm FEMALE
- SIZE: 1.0" X 0.75" X 0.4"
- FINISH: GOLD PLATED

ENVIRONMENTAL RATINGS

- TEMPERATURE: -40 °C TO +85 °C (OPERATING)
-65 °C TO +125 °C (STORAGE)
- HUMIDITY: MIL-STD-202F, METHOD 103B COND. B
- SHOCK: MIL-STD-202F, METHOD 213B COND. B
- VIBRATION: MIL-STD-202F, METHOD 204D COND. B
- ALTITUDE: MIL-STD-202F, METHOD 105C COND. B
- TEMPERATURE CYCLE: MIL-STD-202F, METHOD 107D COND. A

NOTE: SPECIFICATIONS WILL VARY OVER OPERATING TEMPERATURE

NOTE: THE ABOVE SPECIFICATIONS ARE SUBJECT TO CHANGE OR REVISION

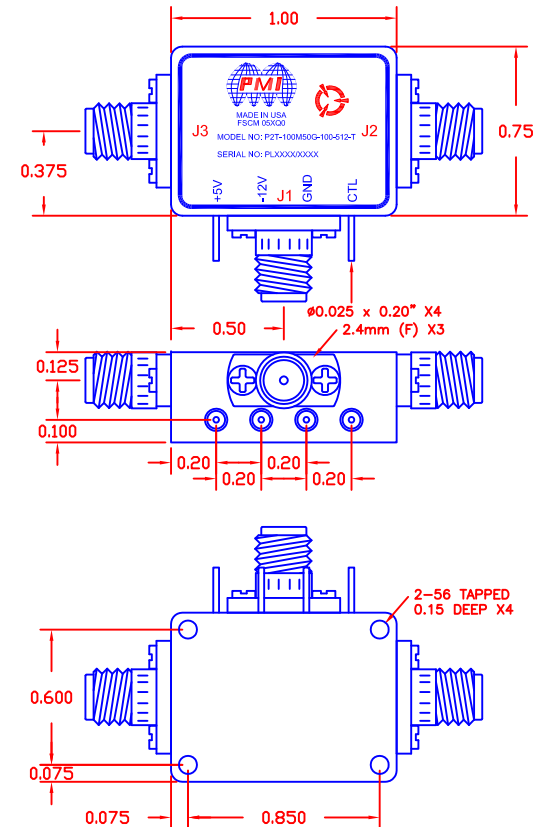
ALL DIMENSIONS ARE IN INCHES

TOLERANCES:
X.XX ±0.020
X.XXX ±0.010

PMI CONFIDENTIAL AND PROPRIETARY

| REVISIONS | | | | |
|-----------|------|------------------|---------|----------|
| ZONE | REV. | DESCRIPTION | DATE | APPROVED |
| | A1 | ORIGINAL RELEASE | 2/26/21 | |
| | B1 | ECN # 21- 0116 | 7/15/21 | |

MECHANICAL OUTLINE



PLANAR MONOLITHICS INDUSTRIES, INC.

7311-F GROVE ROAD

FREDERICK, MARYLAND 21704 USA

TEL: (301)-662-5019, FAX: (301)-662-1731

WEB: www.pmi-rf.com, EMAIL: sales@pmi-rf.com

ISO 9001 CERTIFIED



| APPROVALS | | DATE | TITLE | | |
|------------------|--|---------|--|-------------------|---------------------|
| DRAWN <i>ALC</i> | | 7/15/21 | PRODUCT FEATURE P2T-100M50G-100-512-T | | |
| CHECKED | | | SIZE A | FSCM NO. 05XQ0 | DWG NO. 27041160 |
| ISSUED | | | SCALE N:S | SHEET 1 OF 1 | REV. B1 |