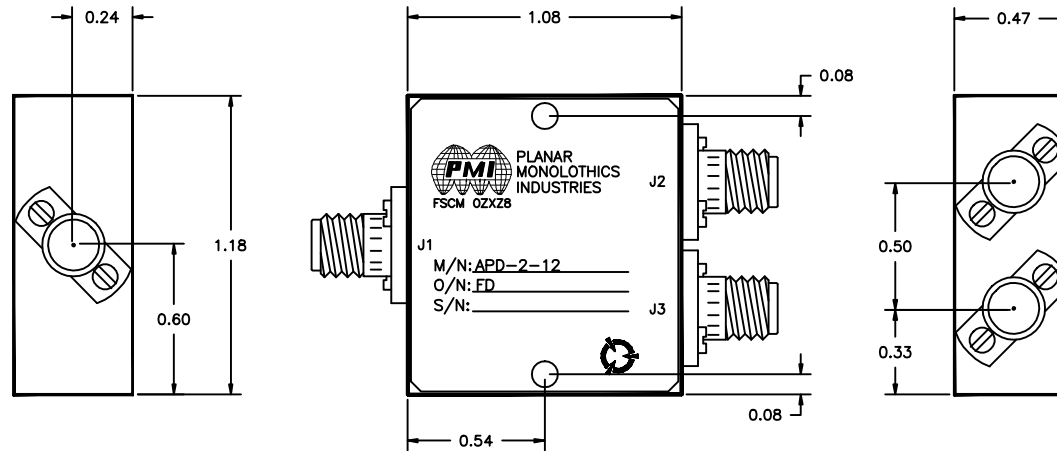


DESCRIPTION

PMI MODEL APD-2-12 OPTION FD IS A TWO WAY POWER DIVIDER FEATURING HIGH ISOLATION, LOW INSERTION LOSS, AND LOW VSWR. IT IS DESIGNED FOR NARROWBAND USE AND HIGH RELIABILITY.

REVISIONS				
ZONE	REV.	DESCRIPTION	DATE	APPROVED
	-	ORIGINAL RELEASE JOB# P701002XPE	8/17/07	



SPECIFICATIONS

- FREQUENCY RANGE: 1 TO 2 GHz
- INSERTION LOSS: 0.75 dB MAXIMUM
- VSWR: 1.4:1 MAXIMUM
- ISOLATION: 22 dB MINIMUM
- AMPLITUDE BALANCE: ±0.1 dB
- PHASE BALANCE: ±1°
- AVERAGE POWER INTO LOAD VSWR:
 - 1.2:1 25 WATTS
 - 2.0:1 7.5 WATTS
 - ∞:1 0.75 WATTS
- SIZE: 1.08 (L) x 1.18" (W) x 0.47" (H)

OPTIONS

- 500M205 500 MHz TO 2.5 GHz


ENVIRONMENTAL RATINGS:

- TEMPERATURE: -55°C TO +85°C (OPERATING)
..... -65°C TO +125°C (STORAGE)
- HUMIDITY: MIL-STD-202F, METHOD 103B COND. B
- SHOCK: MIL-STD-202F, METHOD 213B COND. B
- VIBRATION: MIL-STD-202F, METHOD 204D COND. B
- ALTITUDE: MIL-STD-202F, METHOD 105C COND. B
- TEMPERATURE CYCLE: MIL-STD-202F, METHOD 107D COND. A

NOTE: SPECIFICATIONS WILL VARY OVER OPERATING TEMPERATURE
NOTE: THE ABOVE SPECIFICATIONS ARE SUBJECT TO CHANGE OR REVISION

ALL DIMENSIONS ARE IN INCHES
TOLERANCES:
X.XX ±0.020
X.XXX ±0.010

PLANAR MONOLITHICS INDUSTRIES, INC.
 7311-G GROVE ROAD
 FREDERICK, MARYLAND 21704 USA
 TEL: 301-631-1579 FAX: 301-862-2029
 WEBSITE: www.planarmonolithicsindustries.com
 E-MAIL: sales@planarmonolithics.com
 ISO 9001:2000 CERTIFIED



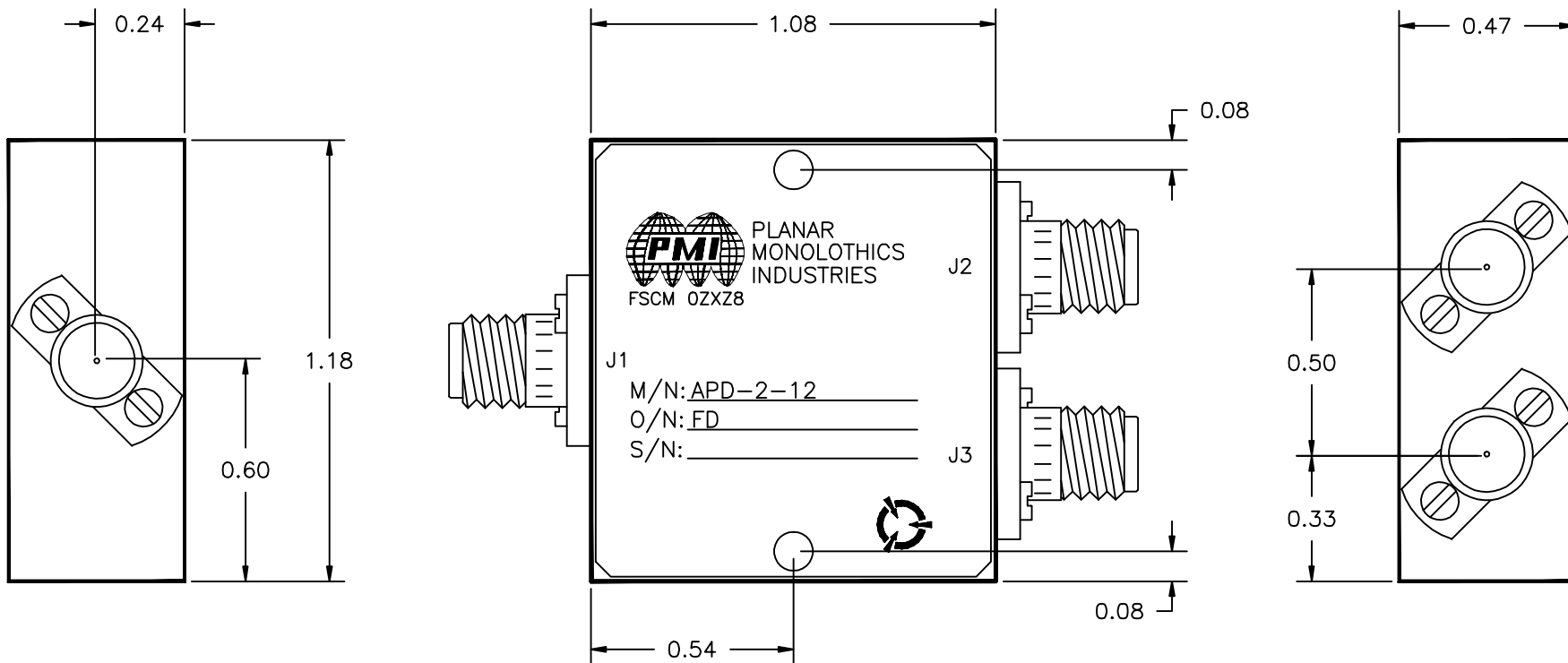
APPROVALS		DATE	TITLE	
DRAWN <i>RRR</i>		7/17/07	PRODUCT FEATURE	
CHECKED			APD-2-12	
ISSUED			OPTION FD	
SIZE	FSCM NO.	DWG NO.	REV.	
A	OZXZ8	100-A017-000	-	
SCALE N:S			SHEET 1 OF 3	

DESCRIPTION

PMI MODEL APD-2-12 OPTION FD IS A TWO WAY POWER DIVIDER FEATURING HIGH ISOLATION, LOW INSERTION LOSS, AND LOW VSWR. IT IS DESIGNED FOR NARROWBAND USE AND HIGH RELIABILITY.

REVISIONS				
ZONE	REV.	DESCRIPTION	DATE	APPROVED
-	-	ORIGINAL RELEASE JOB# P701002XPE	7/17/06	

MECHANICAL OUTLINE



PLANAR MONOLITHICS INDUSTRIES, INC.

7311-G GROVE ROAD
 FREDERICK, MARYLAND 21704 USA
 TEL: 301-631-1579 FAX: 301-662-2029
 WEBSITE: www.planarmonolithicsindustries.com
 E-MAIL: sales@planarmonolithics.com
 ISO 9001:2000 CERTIFIED



ALL DIMENSIONS ARE IN INCHES
 TOLERANCES:
 X.XX ±0.020
 X.XXX ±0.010

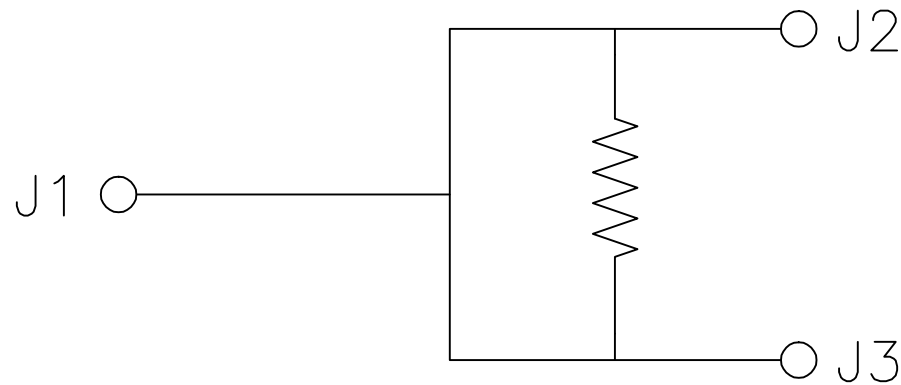
APPROVALS		DATE	TITLE		
DRAWN <i>RRR</i>		7/18/07	MECHANICAL OUTLINE		
CHECKED			APD-2-12		
ISSUED			OPTION FD		
SIZE	FSCM NO.	DWG NO.	REV.		
A	0ZXZ8	100-A017-000	-		
SCALE	N:S	SHEET	2 OF 3		

DESCRIPTION

PMI MODEL APD-2-12 OPTION FD IS A TWO WAY POWER DIVIDER FEATURING HIGH ISOLATION, LOW INSERTION LOSS, AND LOW VSWR. IT IS DESIGNED FOR NARROWBAND USE AND HIGH RELIABILITY.

REVISIONS				
ZONE	REV.	DESCRIPTION	DATE	APPROVED
	-	ORIGINAL RELEASE JOB# P701002XPE	7/17/07	

FUNCTIONAL BLOCK DIAGRAM



CONFIDENTIAL AND PROPRIETARY

PLANAR MONOLITHICS INDUSTRIES, INC.

7311-G GROVE ROAD
 FREDERICK, MARYLAND 21704 USA
 TEL: 301-631-1579 FAX: 301-662-2029
 WEBSITE: www.planarmonolithicsindustries.com
 E-MAIL: sales@planarmonolithics.com
 ISO 9001:2000 CERTIFIED



APPROVALS		DATE		TITLE			
DRAWN		7/17/07		FUNCTIONAL BLOCK DIAGRAM			
CHECKED				APD-2-12			
ISSUED				OPTION FD			
SIZE	FSCM NO.	DWG NO.	REV.				
A	OZXZ8	100-A017-000	-				
SCALE N:S			SHEET		3 OF 3		