

DESCRIPTION

PMI MODEL: APD-2-26-SMP IS A TWO WAY POWER DIVIDER OPERATING OVER THE 2.0 TO 6.0 GHz FREQUENCY RANGE. THIS MODEL HAS A MAXIMUM INSERTION LOSS OF 3.0 dB AND HAS VERY GOOD PHASE AND AMPLITUDE MATCH. THE COMPACT 1.00" x 1.00" x 0.40" HOUSING IS OUTFITTED WITH SMP/GPO CONNECTORS.

SPECIFICATIONS

- FREQUENCY RANGE: --- 2 TO 6 GHz
- INSERTION LOSS: ----- 1.0 dB MAXIMUM
- VSWR: ----- 2.0:1 MAXIMUM
- ISOLATION: ----- 20 dB TYP.
14 dB MIN.
- AMPLITUDE BALANCE: -- ±0.2 dB TYPICAL
±0.4 dB MAXIMUM
- PHASE BALANCE: ----- ±3.0° MAXIMUM
- REVERSE POWER HANDLING: ----- 1 WATT MINIMUM
- CONNECTORS: ----- SMP/GPO FULL DETENT REMOVABLE
- SIZE: ----- 25.4 mm x 25.4 mm x 10.16 mm
[1.00" x 1.00" x 0.40"]
EXCLUDING CONNECTORS
- FINISH: ----- GOLD PLATED WITH HERMETIC SEALING
OPTION AVAILABLE

ENVIRONMENTAL RATINGS

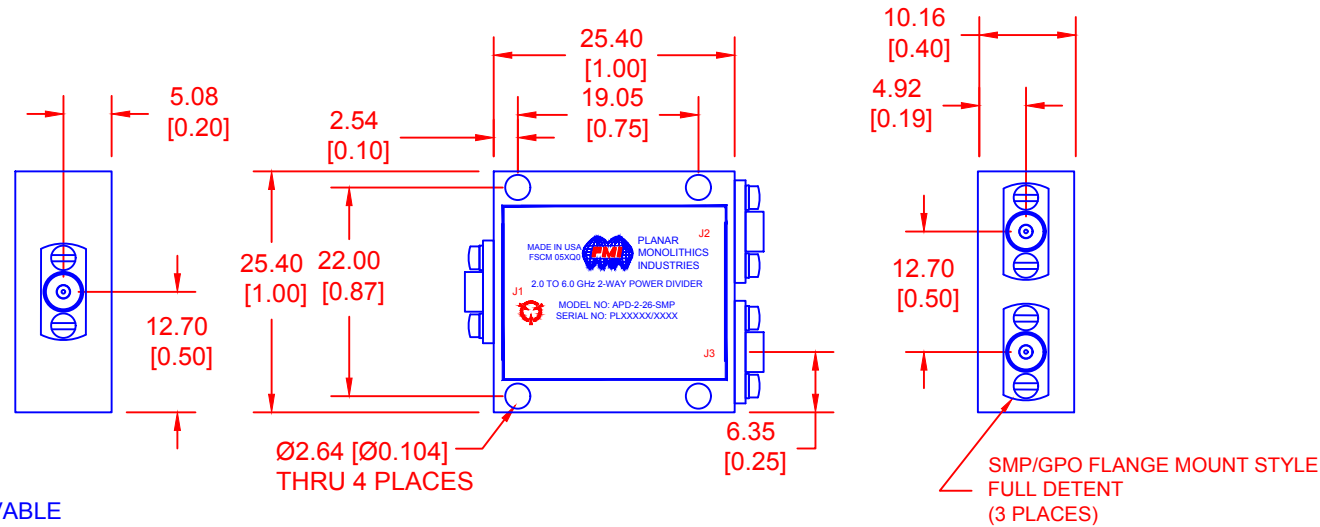
- TEMPERATURE: ----- -55 °C TO +85 °C (OPERATING)
-65 °C TO +125 °C (STORAGE)
- HUMIDITY: ----- MIL-STD-202, METHOD 103B COND. B
- SHOCK:----- MIL-STD-202, METHOD 213B COND. B
- VIBRATION: ----- MIL-STD-202, METHOD 204D COND. B
- ALTITUDE: ----- MIL-STD-202, METHOD 105C COND. B
- TEMPERATURE CYCLE: ----- MIL-STD-202, METHOD 107D COND. A

NOTE: SPECIFICATIONS WILL VARY OVER OPERATING TEMPERATURE
NOTE: THE ABOVE SPECIFICATIONS ARE SUBJECT TO CHANGE OR REVISION

PMI CONFIDENTIAL AND PROPRIETARY

REVISIONS				
ZONE	REV.	DESCRIPTION	DATE	APPROVED
	-	PRELIMINARY	6/4/20	
	1	INSERTION LOSS UPDATE	6/9/20	

MECHANICAL OUTLINE



ALL DIMENSIONS ARE IN mm [INCH]
TOLERANCES:
X.XX ± 0.508 [0.020]
X.XXX ± 0.254 [0.010]

PLANAR MONOLITHICS INDUSTRIES, INC.

7311-F GROVE ROAD

FREDERICK, MARYLAND 21704 USA

TEL: (301)-662-5019, FAX: (301)-662-1731

WEB: www.pmi-rf.com, EMAIL: sales@pmi-rf.com

ISO 9001 CERTIFIED



APPROVALS		DATE	TITLE		
DRAWN <i>JPH</i>		6/4/20	PRODUCT FEATURE APD-2-26-SMP 2 to 6 GHz TWO WAY POWER DIVIDER		
CHECKED			SIZE	FSCM NO.	DWG NO.
ISSUED			A	05XQ0	PRELIMINARY
			SCALE	N:S	SHEET 1 OF 1
					REV. 1