

REVISIONS				
ZONE	REV.	DESCRIPTION	DATE	APPROVED
-	-	PRELIMINARY	7/29/14	

Description:

PMI Model Number POB-28-48-15-LCA is a 4 to 8 GHz low noise amplifier. This amplifier is supplied in our standard PE2 housing that can be used as a SMA connectorized or a surface mount component.

This model provides the following performance. Data is available upon request.

Specifications:

Frequency Range: 4 to 8 GHz
 Gain: 28 dB Typ.
 Gain Flatness: +/- 1.25 dB Max.
 Noise Figure: 3.0 dB Typ.
 OP1dB: +15 dBm Typ.
 VSWR Input/Output: 2.0:1 Max.
 DC Voltage Supply: +12 to +15VDC
 DC Current Draw: 150 mA Typ.
 Connectors In/Out: SMA Female

Features:

Internal Voltage Regulation
 Unconditional Stability
 Standard Operating Temperature -55 to +85 Deg. C

Available Options:

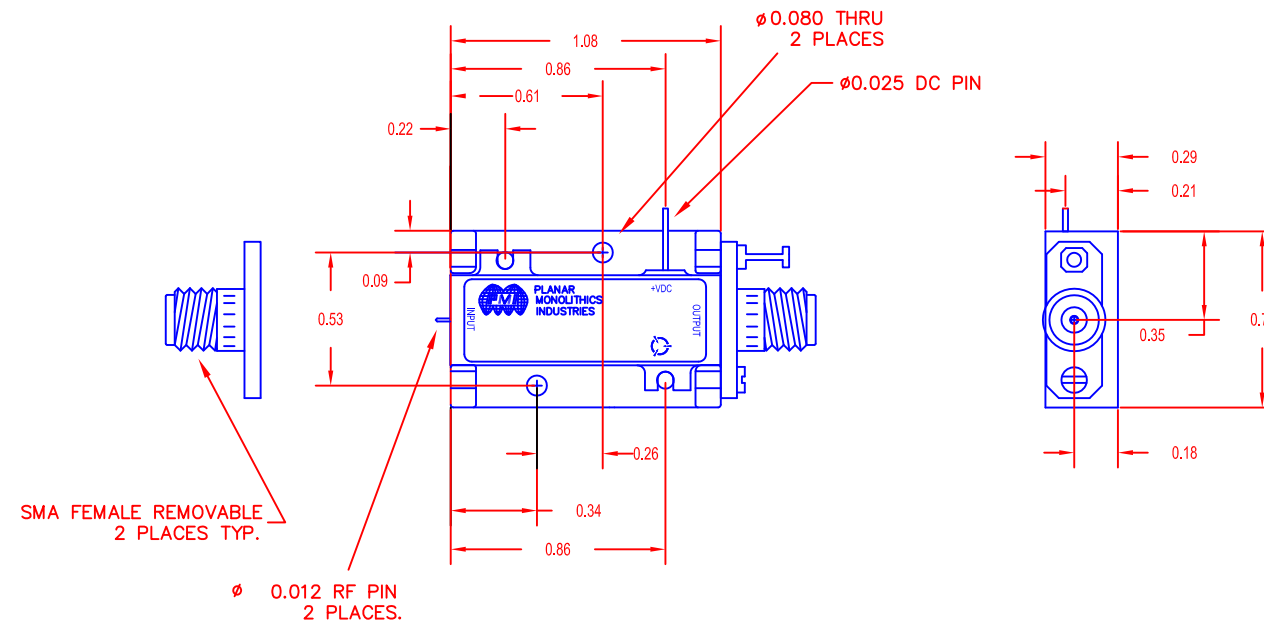
Various Package types
 Various Connector types
 Temperature Compensation
 Gain and Phase Matching
 MIL-STD-883 Screening Available

Environmental Ratings:

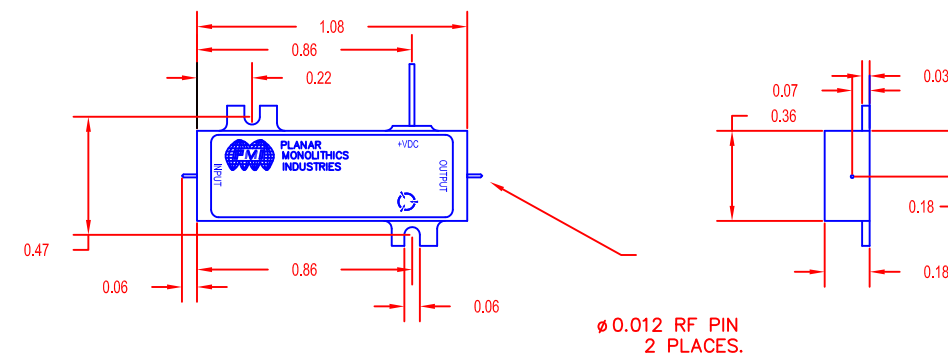
Temperature: -55 to +85 Deg. C (Operating)
 -65 to +125 Deg. C (Storage)
 Humidity: MIL-STD-202F, METHOD 103B COND B.
 Shock: MIL-STD-202F, METHOD 213B COND B.
 Altitude: MIL-STD-202F, METHOD 105C COND B.
 Temperature Cycle: MIL-STD-202F, METHOD 107D COND A

Note: The above specifications are subject to change or revision.

PE2 HOUSING WITH CARRIER



PE2 HOUSING WITHOUT CARRIER (SURFACE MOUNT)



UNLESS OTHERWISE SPECIFIED
 DIMENSIONS ARE IN INCHES
 TOLERANCES ARE:
 FRACTIONS DECIMALS ANGLES
 ± .XX ± 0.020 ±
 .XXX ± 0.010

PART NO.		7311-F GROVE ROAD FREDERICK, MARYLAND	
APPROVALS	DATE	TITLE PE2 Series Amplifier POB-28-48-15-LCA	
DRAWN JS	7/29/14	SIZE B	CAGE CODE 05XQ0
Modified		DWG NO. PRELIMINARY	REV. -
ISSUED		SCALE N/A	SHEET 1 OF 1
MATERIAL: 6061-T6 Aluminum		DO NOT SCALE DRAWING	
FINISH: GOLD PLATED			